

Overview

CH334 and CH335 are USB2.0 protocol compliant 4-port USB HUB controller chips, supporting USB2.0 high-speed and full-speed for upstream ports, and USB2.0 high-speed 480Mbps, full-speed 12Mbps and low-speed 1.5Mbps for downstream ports, supporting not only low-cost STT mode (single TT schedules 4 downstream ports in time share), but also supports high performance MTT mode (4 TTs each corresponding to 1 port, concurrent processing).

Industrial-grade design with streamlined peripherals for use in computer and industrial control machine motherboards, peripherals, embedded systems, etc.

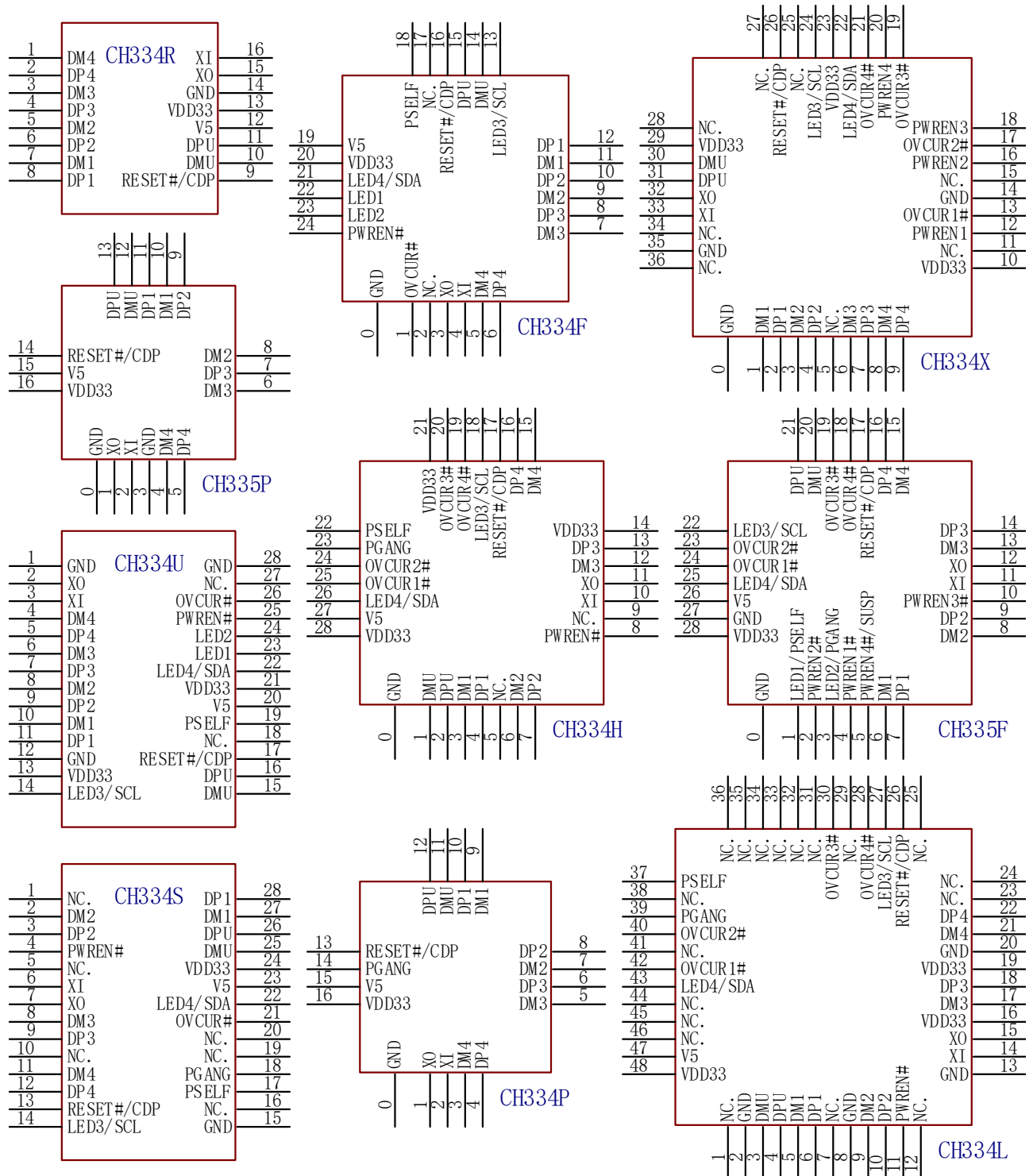
Features

- 4-port USB HUB, providing 4 USB 2.0 downstream ports, backward compatible with USB 1.1 protocol specification
- Support each port independent power control or GANG overall linkage power control
- Support independent overcurrent detection of each port or overall overcurrent detection of GANG, support 5V tolerant overcurrent signal input
- Support high performance MTT mode, providing independent TT for each port to achieve full bandwidth concurrent transmission, with 4 times the total bandwidth of STT
- Support port status LED indicators
- Configurable via external EEPROM to support composite devices, non-removable devices, custom VIDs, PIDs and port configurations
- Built-in information memory, for industry-specific needs can be customized in bulk manufacturer or product information and configuration, no need EEPROM
- Self-developed dedicated USB PHY, LPM low-power consumption technology, significantly reduced compared to the first generation of HUB chips, support self-powered or bus-powered
- Self-powered or bus-powered mode configurable via I/O pins or external EEPROM
- Provides crystal oscillator with built-in capacitor, supports external 12MHz input, and built-in PLL provides 480MHz clock for USB PHY
- Built-in professional high-precision clock, you can choose to remove the external 12MHz crystal to save costs, reduce size and reduce EMI
- Built-in 1.5KΩ pull-up resistor on the upstream port, built-in pull-down resistor on the downstream port required for USB Host, streamlined periphery
- Built-in LDO linear buck regulator converts USB bus supply voltage to 3.3V operating power for the chip
- CH335 supports MCU control upstream port and 1# downstream port exchange
- USB pins have 6KV enhanced ESD performance, Class 3A
- Industrial grade temperature range: -40~85°C
- QFN28, QFN24, QFN16, QSOP28 and other packages available

Chapter 1 Pinouts and Pin Definition

1.1 Pinouts

Figure 1-1 Pinouts



Note: Pin 0# is the EPAD of QFN package.

1.2 Model Comparison

Table 1-1 Function comparison of the same cluster model

Model Function	CH335P	CH334P	CH334R	CH334U CH334F	CH334S CH334Q CH334X ⁽¹⁾	CH334H CH334L	CH335F
TT mode	MTT	MTT	MTT	MTT	MTT	MTT	MTT
Overcurrent detection	×	×	×	GANG mode	GANG mode	Independent / GANG	Independent / GANG
Power control	×	×	×	GANG mode	GANG mode	GANG mode	Independent / GANG
LED indicator	×	1-LED	×	5-LED	1-LED	1-LED	5-LED / 9-LED
I/O pin configuration power supply mode	×	×	×	√	√	√	√
External EEPROM provide configuration information	×	×	×	√	√	√	√
Custom configuration information	√	√	√	√	√	√	√
Crystal-free applications	Optional	Optional	Optional	Optional	Optional	Optional	Optional
Swap upstream port	×	×	×	×	×	×	Optional

Note: CH334X is the upgraded version of CH334Q, supports dual independent modes, does not support GANG mode.

1.3 Packaging

Table 1-2 Package Description

Package Form	Body Size		Pin Pitch		Package Description	Order Model
QSOP16	3.9mm	150mil	0.635mm	25mil	Quarter-sized Outline Package	CH334R
QSOP28	3.9mm	150mil	0.635mm	25mil	Quarter-sized Outline Package	CH334U
SSOP28	5.3mm	209mil	0.65mm	25mil	Shrink Small-Outline Package	CH334S
QFN16C_2x2	2*2mm		0.4mm	15.7mil	WCH Quad Flat No-Lead Package	CH335P
QFN16_3x3	3*3mm		0.5mm	19.7mil	Quad Flat No-Lead Package	CH334P
QFN24_4x4	4*4mm		0.5mm	19.7mil	Quad Flat No-Lead Package	CH334F
QFN28_4x4	4*4mm		0.4mm	15.7mil	Quad Flat No-Lead Package	CH335F
QFN28_5x5	5*5mm		0.5mm	19.7mil	Quad Flat No-Lead Package	CH334H
QFN36_6x6	6*6mm		0.5mm	19.7mil	Quad Flat No-Lead Package	CH334X
LQFP48	7*7mm		0.5mm	19.7mil	Low Profile Quad Flat Pack	CH334L

Note: CH335P and CH334P are preferred for small size; CH335 pinout is full;

Other package forms focus on PCB compatibility; CH334S/H/Q/L is not recommended for new designs; CH334L is available for lot booking only.

CH334X is an upgraded version of CH334Q, supports dual independent mode, power control PWREN is active high, and does not support GANG mode. CH334X is changed to use 24MHz crystal.

1.4 Pin Definition

Table 1-3 Pin definition

Pin number (Pin with the same name can be referred to)								Pins Name	Type	Function Description
335F	4R	4F	4U	4S	4X	4H	4L			
20	10	14	15	25	30	1	3	DMU	USB	Upstream port USB2.0 signal cable D-
21	11	15	16	26	31	2	4	DPU	USB	Upstream port USB2.0 signal line D+
6	7	11	10	27	1	3	5	DM1	USB	1# downstream port USB signal cable D-
7	8	12	11	28	2	4	6	DP1	USB	1# downstream port USB signal line D+
8	5	9	8	2	3	6	9	DM2	USB	2# downstream port USB signal cable D-
9	6	10	9	3	4	7	10	DP2	USB	2# downstream port USB signal line D+
13	3	7	6	8	6	12	17	DM3	USB	3# downstream port USB signal cable D-
14	4	8	7	9	7	13	18	DP3	USB	3# downstream port USB signal line D+
15	1	5	4	11	8	15	21	DM4	USB	4# downstream port USB signal cable D-
16	2	6	5	12	9	16	22	DP4	USB	4# downstream port USB signal line D+

11	16	4	3	6	33	10	14	XI	I	Crystal oscillator input, connected to the external crystal end The CH334X uses a 24MHz crystal. Other CH334 and CH335 use 12MHz crystals.
12	15	3	2	7	32	11	15	XO	O	Crystal oscillator inverted output, connected to the other end of the external crystal
17	9	16	17	13	26	17	26	RESET# CDP	5I	External reset input with built-in pull-up resistor, active low. It is recommended to be completely suspended when not reset.
26	12	19	20	23	-	27	47	V5	P	5V or 3.3V power input, external 1uF or larger capacitor
28	13	20	21	24	29	28	48	VDD33	P	Main power supply, LDO output and 3.3V input. External 0.1uF+10uF decoupling capacitor, or 1uF decoupling capacitor
-	-	-	13	-	10 23	14 21	16 19	VDD33	P	3.3V power input, external 1uF or 0.1uF decoupling capacitor
-	14	-	1 12 28	15	14 35	-	2 8 13 20	GND	P	Common ground terminal
27	-	-	12 28	-	14 35	-	-	GND	P	Optional common ground terminal, pending permitted but connection recommended
0	-	0	-	-	0	0	-	GND	P	Common ground terminal (EPAD)
24	-	1	26	21	13	25	42	OVCUR# OVCUR1#	5I	GANG integral mode line port overcurrent detection input pin. 1# Downstream port overcurrent detection input pin, low overcurrent
23	-	-	-	-	17	24	40	OVCUR2#	5I	2# Downstream port overcurrent detection input pin, low overcurrent
19	-	-	-	-	19	20	30	OVCUR3#	5I	3# Downstream port overcurrent detection input pin, low overcurrent
18	-	-	-	-	21	19	28	OVCUR4#	5I	4# Downstream port overcurrent detection input pin, low overcurrent
4	-	24	25	4	12	8	11	PWREN#	O	GANG integral mode line port power output

								PWREN1# PWREN1		control pins. 1# Downstream port power output control pin, PWREN# and PWREN1# are turned on low, PWREN1 of CH334X is turned on high
2	-	-	-	-	16	-	-	PWREN2# PWREN2	O	2# Downstream port power output control pin, PWREN2# is turned on low, PWREN2 of CH334X is turned on high
10	-	-	-	-	18	-	-	PWREN3# PWREN3	O	3# Downstream port power output control pin, PWREN3# is turned on low, PWREN3 of CH334X is turned on high
5	-	-	-	-	20	-	-	SUSP PWREN4# PWREN4	O	GANG overall mode SUSPEND sleep state output pin, high level indicates sleep state, low level indicates normal state. 4# Downstream port power output control pin, PWREN4# is turned on low, PWREN4 of CH334X is turned on high
-	-	18	19	17	-	22	37	PSELF	I	Configure power supply mode with built-in pull-up resistor: default high level is self-powered, low level is set for bus power
-	-	-	-	18	-	23	39	PGANG	I/O	Configure power overcurrent protection mode during reset with built-in pull-up resistor. Switch to sleep/normal state output after reset is complete. The default high level during reset is configured for overall overcurrent detection and overall power control, and after reset the output is low to indicate normal state and high to indicate sleep state; External pull-down resistor set low for independent overcurrent detection, after reset the output high indicates normal state, low indicates sleep state
1	-	22	23	-	-	-	-	LED1 PSELF	I/O	LED1: port status indication signal 1. PSELF: configure power supply mode during reset, built-in pull-up, default high for self-power, plus pull-down to set low for bus power
3	-	23	24	-	-	-	-	LED2	I/O	LED2: port status indication signal 2.

								PGANG		PGANG: configure power overcurrent protection mode during reset, built-in pull-up, default high for overall overcurrent detection and overall power control, plus pull-down to set low for independent overcurrent detection
22	-	13	14	14	24	18	27	LED3 SCL	I/O	LED3: port status indication signal 3. SCL: Output for EEPROM clock signal line during reset
25	-	21	22	22	22	26	43	LED4 SDA	I/O	LED4: port status indication signal 4. SDA: EEPROM bi-directional data signal line during reset
-	-	2	18	10	25	5	*	NC.		Empty pins or reserved pins, disable connection
		17	27	16	27	9				
				19	28					
				20	34					
					36					

Note: The 4 PWRENs of the CH334X can be referred to the 4 PWREN# of the CH335, with one-to-one pin correspondence, but with reversed power control polarity.

Pin Type:

- 1) I: 3.3V signal input.
- 2) O: 3.3V signal output.
- 3) 5I: Rated 3.3V signal input, supports 5V tolerant voltage.
- 4) P: Power or ground.

Chapter 2 Structure

2.1 System Architecture

Figure 2-1 System block diagram

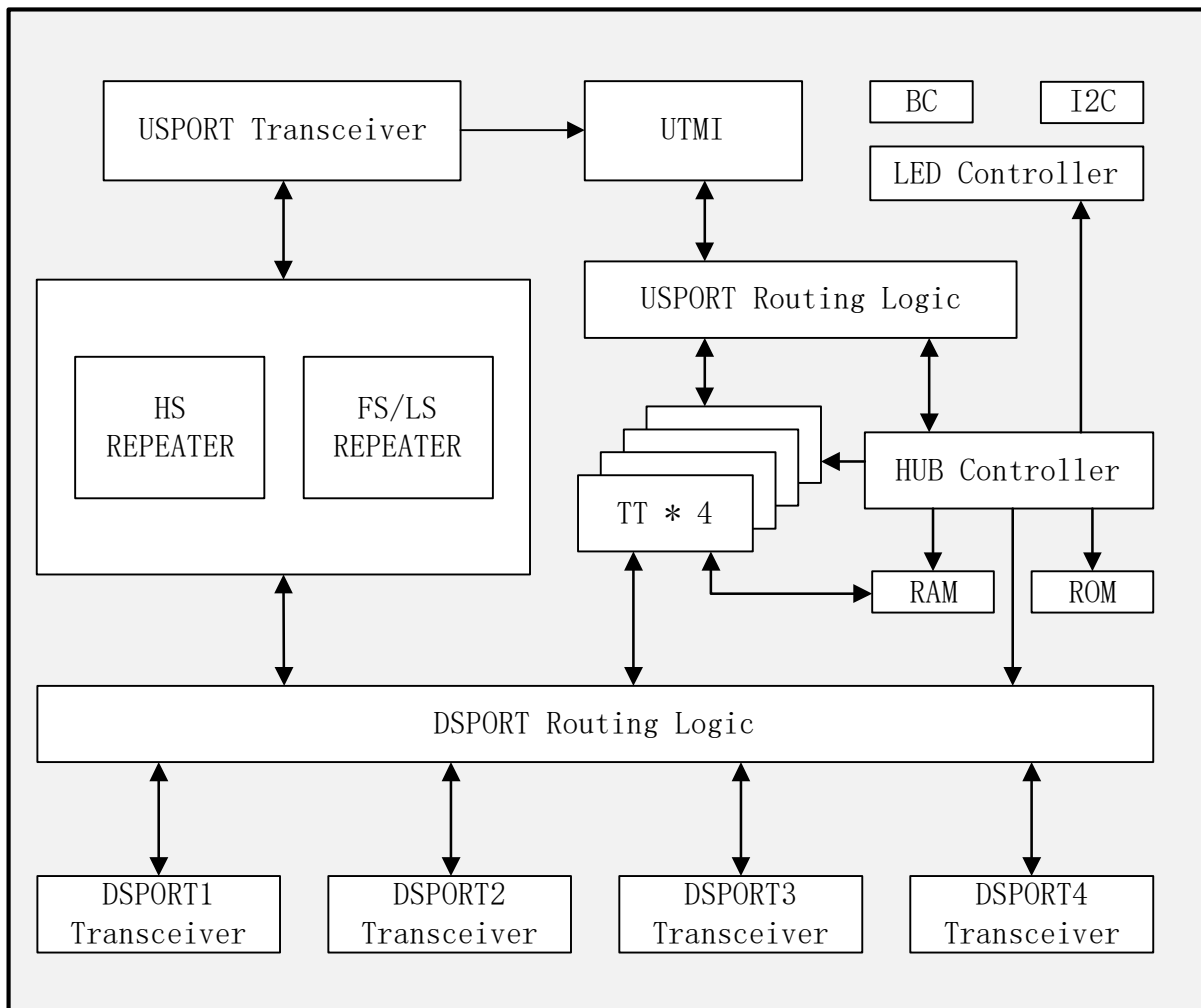


Figure 2-1 is a block diagram of the internal structure of the HUB controller system. The HUB controller consists of three main modules: Repeater, TT and controller. The controller is similar to an MCU processor for global management and control. The routing logic will connect the port to Repeater when the speed of upstream port and downstream port are the same, and connect the port to TT when the speed of upstream port and downstream port are not the same.

TT is divided into single TT and multiple TT, i.e., STT and MTT, STT is a single TT core dispatched in time to handle the transactions sent down to all downstream ports by the USB host, MTT refers to multiple TT in parallel, which is 4 TT cores corresponding to and processing the transactions of one downstream port in real time, so MTT can provide fuller bandwidth for the access devices of each downstream port and better support multi-port large concurrent transmission of large data volumes.

Notes:

USPORT Transceiver: Upstream port transceiver PHY

DSPORT Transceiver: downstream port transceiver PHY

REPEATER: HUB Repeater

TT: Processing converter.

Chapter 3 Functions

3.1 Overcurrent Detection

CH334/CH335 support three overcurrent protection modes: Individual independent control power and independent overcurrent detection, GANG overall control power and independent overcurrent detection, and GANG overall linked control power and overall overcurrent detection (Default mode), as shown in Table 3-1.

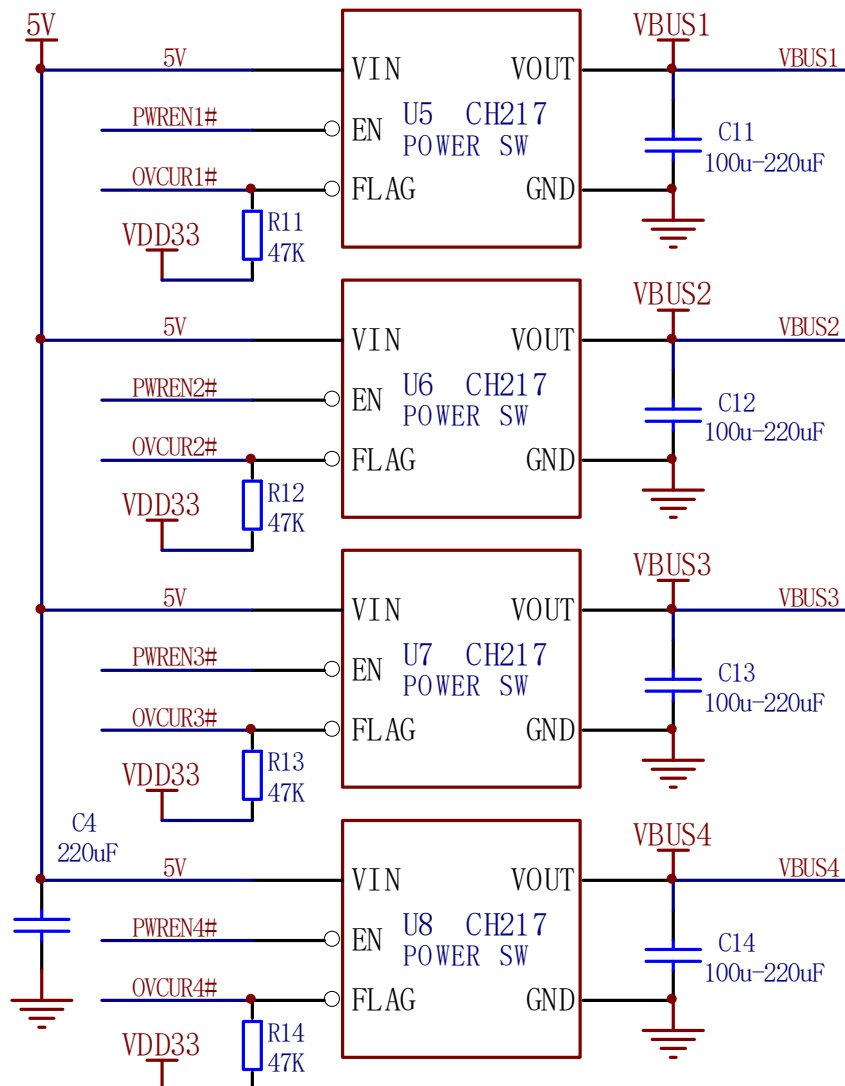
Table 3-1 Overcurrent protection control pin description

Overcurrent protection mode	Power control pins	Sampling pins for overcurrent detection	Reference Chart
Dual independent mode	PWREN1#PWREN2#, PWREN3#, PWREN4#	OVCUR1#, OVCUR2#, OVCUR3#, OVCUR4#	Figure 3-1-1
The whole control solo inspection mode	PWREN#(PWREN1#)	OVCUR1#, OVCUR2#, OVCUR3#, OVCUR4#	Figure 3-1-2
GANG overall model	PWREN#(PWREN1#)	OVCUR#(OVCUR1#)	Figure 3-1-3

CH335F supports dual independent mode and GANG overall mode; CH334X supports dual independent mode; CH334H/L supports whole control solo check mode and GANG overall mode; CH334U/S/F/Q supports GANG overall mode only; CH334R/P/CH335P does not support overcurrent detection.

3.1.1 Dual Independent Mode

Figure 3-1-1 Dual independent mode, R11~R14 can be omitted



U5 to U8 are USB current-limiting distribution switch chips with integrated internal overcurrent detection for VBUS power distribution management, such as CH217 chip or similar functions. In applications without external power supply at 5V, it is recommended to set the current limit below 1A or even 500mA through ISET external resistors. the FLAG pins of U5~U8 are open-drain outputs, which require R11~R14 pull-ups respectively. Under the default configuration, OC_LEVEL=0, the OVCUR# pin of HUB chip provides built-in weak pull-up current, so R11~R14 can be omitted. the capacity of C11~C14 is selected according to the need, the minimum 120uF in the specification. the dual independent mode requires setting GANG_MODE=0 to select independent overcurrent detection mode. In the figure, VBUS1/VBUS2/VBUS3/VBUS4 are connected to the VBUS power pins of downstream ports 1/2/3/4 respectively.

3.1.2 Whole Control Solo Inspection Model

The preferred whole control solo check circuit is based on Figure 3-1-1 dual independent mode circuit modification, with PWREN# simultaneously controlling U5 to U8. Considering that C11 to C14 are charged simultaneously when the 4 groups of switches are turned on, it is recommended that the capacity of C4 is not less than the accumulated capacity of C11 to C14.

Figure 3-1-2 Another non-preferred circuit for the whole control solo check mode

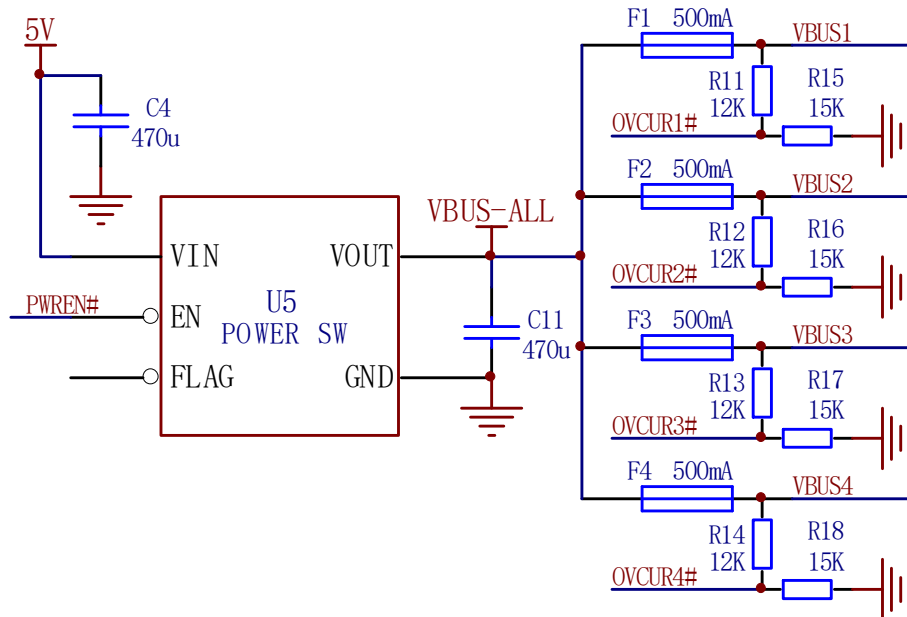
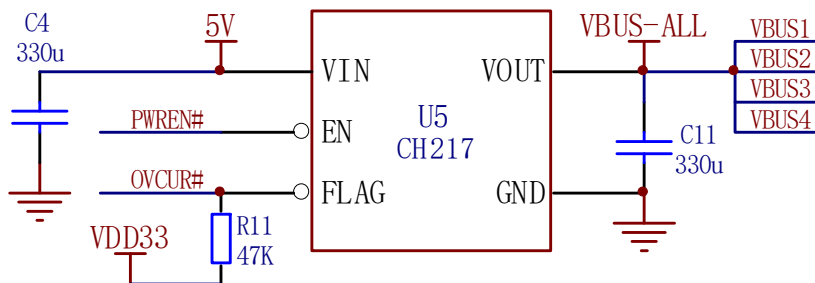


Figure 3-1-2 is another option, U5 is the shared power switch chip, F1 to F4 are the insurance resistors, and C11 is selected as needed. Alternatively, there is a simplified application that removes power control, based on Figure 3-1-2 that omits U5/C4 and shorts the VBUS-ALL to 5V.

3.1.3 GANG Overall Model

Figure 3-1-3 GANG overall mode, R11 can be omitted



U5 is a USB current-limiting power switch chip. R11 can be omitted in the default configuration, and the capacity of C11 can be selected as needed.

Figure 3-1-4 Simplified GANG overall mode power control and overcurrent detection circuit Schematic

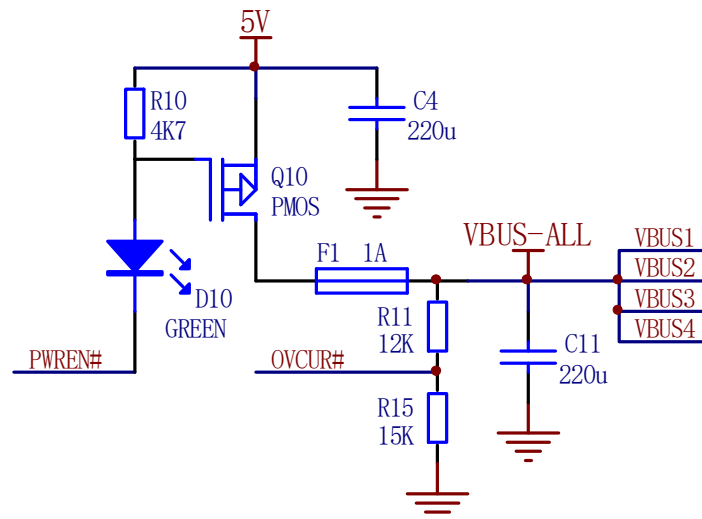


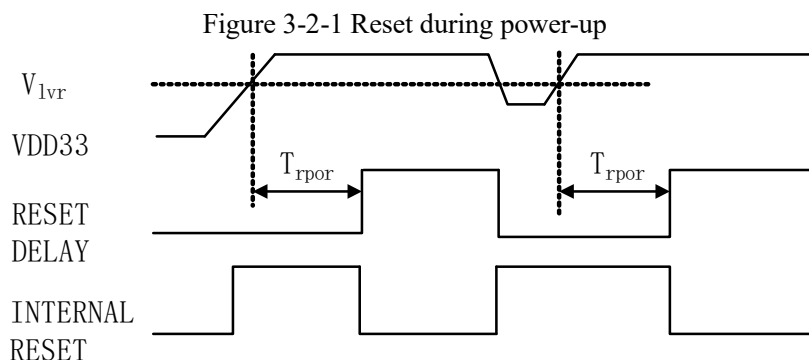
Figure 3-1-4 is a simplified schematic, for principle reference only. The default configuration $OC_LEVEL=0$, R11 and R15 voltage divider to select the overcurrent detection point for VBUS down to about 4V. If the configuration $OC_LEVEL = 1$, then you can remove R15 and change R11 to 1K.

3.2 Reset

A power-on reset module is embedded in the chip, which generally eliminates the need for an externally provided reset signal. An external reset input pin, RESET#/CDP, which has a built-in pull-up resistor, is also provided.

3.2.1 Power-on Reset

When the power supply is powered on, the chip's internal POR power-on reset module generates a power-on reset timing and delays T_{rpor} for about 5mS~14mS to wait for the power supply to stabilize. Among them, the T_{rpor} is about 12mS for the chip with 6 in the penultimate digit of the lot number, and the T_{rpor} is about 5mS~7mS for the chip with 1 in the penultimate digit of the lot number supplied by default. During operation, when the power supply voltage falls below V_{lvr} , the chip's internal LVR low voltage reset module generates a low voltage reset until the voltage comes back up, and delays until the power supply stabilizes. Figure 3-2-1 shows the power-on reset process and the low-voltage reset process.



3.2.2 External Reset

The external reset input pin RESET#/CDP has a built-in pull-up resistor of about $25K\Omega$, so if the chip needs to be reset externally, then the pin can be driven low, and the drive internal resistance is recommended to be no greater than 800Ω , and the low-level pulse width of the reset needs to be greater than 4uS.

Table 3-2 Reset Pin Control and Mode Description

RESET#/CDP pin	Conditions	Results
Drive is low	During power-up or during normal operation	Reset HUB chip
Drive is high	During power-up	Enable CDP and turn off low-power sleep
No drive or no connection(default)	During power-up	No CDP enabled, low-power sleep support
Drive high or no drive	During normal operation	No effect

Note: CDP is a configurable function, some package forms/partial batches of CH334/5 may not open CDP.

For applications where the MCU pin directly drives the RESET#/CDP pin of the HUB chip, if the MCU pin outputs a high-level during power-up, it may enable the charging function of CH334/CH335 and turn off the low-power sleep, so if you want to avoid enabling the charging function and reduce the sleep current, then you need to connect a series connection between the MCU pin and the RESET#/CDP pin of the HUB chip. diode, refer to Figure 3-2-2.

Figure 3-2-2 MCU pin driven reset and avoid enabling charging function



3.2.3 Charging Function

In addition to CDP, Type-C and USB PD high voltage fast charging solutions are also available, and you can refer to chips such as CH227 to realize PDHUB.

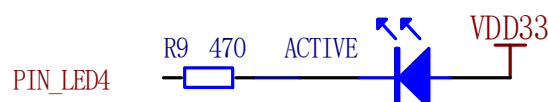
3.3 LED Indicators

According to USB2.0 protocol specification, CH334/CH335 provides downstream port status LED indicator control pins, the corresponding green LED of the port is on to indicate normal port status, the green LED is off to indicate no device or hanging Suspend, and the corresponding red LED of the port is on to indicate abnormal port. CH334/CH335 can dynamically drive 1-LED application and 5-LED application, and CH335 also supports 9-LED application. The LED current limiting resistors R5 to R8 in each figure can be selected from 100Ω to 1KΩ range.

3.3.1 LED4 Pin 1-LED Application

The LED4 pin can dynamically drive an LED in a time-sharing manner, with LED indicating normal operation Active and off indicating HUB chip sleep Suspend. As shown in Figure 3-3-1, the LED current limiting resistor R9 in the figure is selectable from 200Ω to 1KΩ range.

Figure 3-3-1 LED indicator 1 application schematic



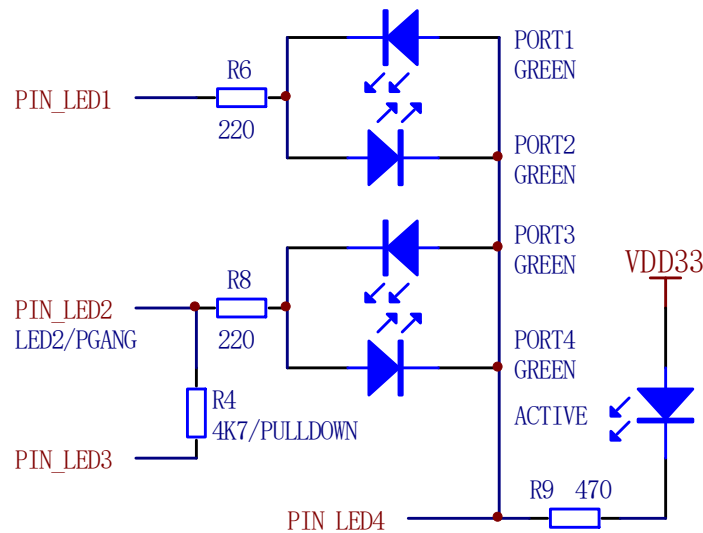
3.3.2 5-LED Application of CH335

For CH335, pins LED1/PSELF or LED2/PGANG are supported to be pulled down externally for configuration during reset. Because pins LED1/2 double as LED drive outputs, LED1 and LED2 cannot be directly shorted to GND. the specific pull-down method is to connect a 3.9K Ω resistor between pins LED1 or LED2 and pin LED3, optionally in the range of 3K Ω to 5.1K Ω . LED3 is output low during reset, and LED1/PSELF or LED2/PGANG pull-down as shown in Figure 3-3-2. If pin LED1 or LED2 has been used to drive LED indicators, to avoid conflicts, then it is recommended to give preference to EEPROM configuration or custom configuration.

GANG mode is selected by default and no PGANG configuration independent overcurrent detection is required, then R4 and D5 in the diagram must be removed.

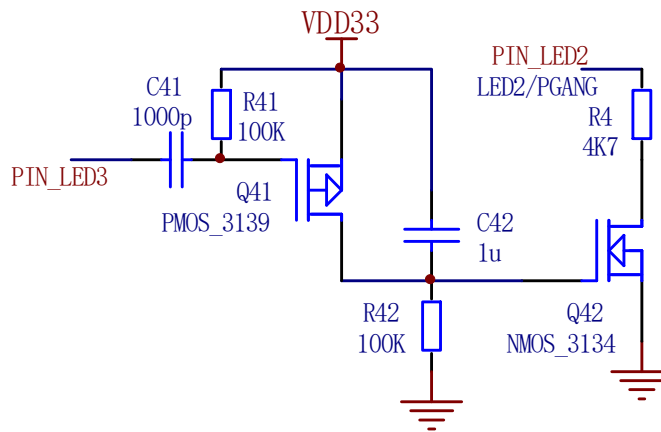
If the CH335 has enabled the LED3 pin to control uplink port switching, then the D5 diode in the diagram is required to prevent the LED3 pin from being pulled low by R4 causing accidental switching. If uplink port switching is not enabled, D5 in the diagram can be shorted and omitted.

Figure 3-3-2 5-LED application with PGANG enabled for CH335



Refer to Figure 3-3-2, if it is necessary to use R4 to enable PGANG to configure independent overcurrent detection and the MCU drives the LED3 pin low to swap uplink ports, then an automatic pull-up of LED4 after CH335 enters the sleep Suspend state will result in a possible slight illumination of the PORT3 LED. The solution is to replace R4 and D5 in Figure 3-3-2 with Figure 3-3-2A timed pull-down circuit, which utilizes the falling edge of the LED3 pin at power-up or reset to discharge the C42, and after that R42/C42 charging is timed to keep R4 pull-down to enable the PGANG configuration, and then R4 pull-down is automatically canceled when the C42 charging is completed, thus avoiding the LED3 low level on PORT3 LED in Suspend state. pin's low level on the PORT3 LED in the Suspend state is avoided.

Figure 3-3-2A Timed pull-down circuit enabled PGANG configuration schematic

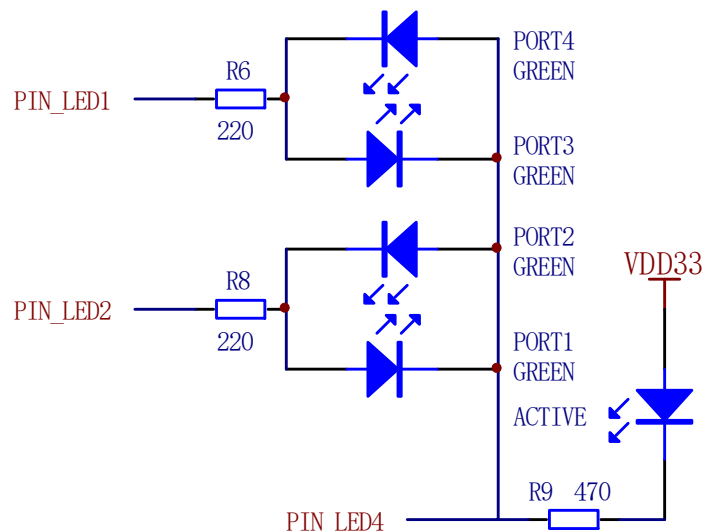


3.3.3 5-LED Application of CH334U/F

For CH334U and CH334F, there are independent PSELF pins available for configuration, and they do not support independent overcurrent detection and do not require PGANG configuration options, so pins LED1 and LED2 do not need to be used for PSELF and PGANG configuration.

The 5-LED application of CH334U/CH334F is shown in Figure 3-3-3, note the LEDs correspond to the ports (customizable). The green LED corresponding to each port is on to indicate that the port status is normal, and the green LED is off to indicate that there is no device on the port or Suspend is hung. all LEDs are optional.

Figure 3-3-3 5-LED application of CH334U/F



3.3.4 CH335 Upstream Port Switching

The LED3 pin of CH335 is also used for MCU control of upstream port and 1# downstream port switching, which is a configurable function and can be confirmed at the time of ordering.

For the CH335 whose lot number is 1 in the last 6 digits and the number at the end is even, the uplink port exchange function is enabled, and it only supports 5-LED application, the LED3 pin is connected to the GPIO pin of the MCU and other system master controller after connecting a 1K resistor in series, and it is used to input the control signal of the port exchange, and it is not exchanged by default with high level, and it is exchanged between the upstream port and the 1# downstream port if LED3 inputs a low level. If LED3 inputs low level, the upstream port and 1# downstream port will be selected to be exchanged, and CH335 may decide to reset before exchanging according to its working status.

For other lot numbers of CH335, the uplink port swap function is off by default, and the LED3 pin is configured for

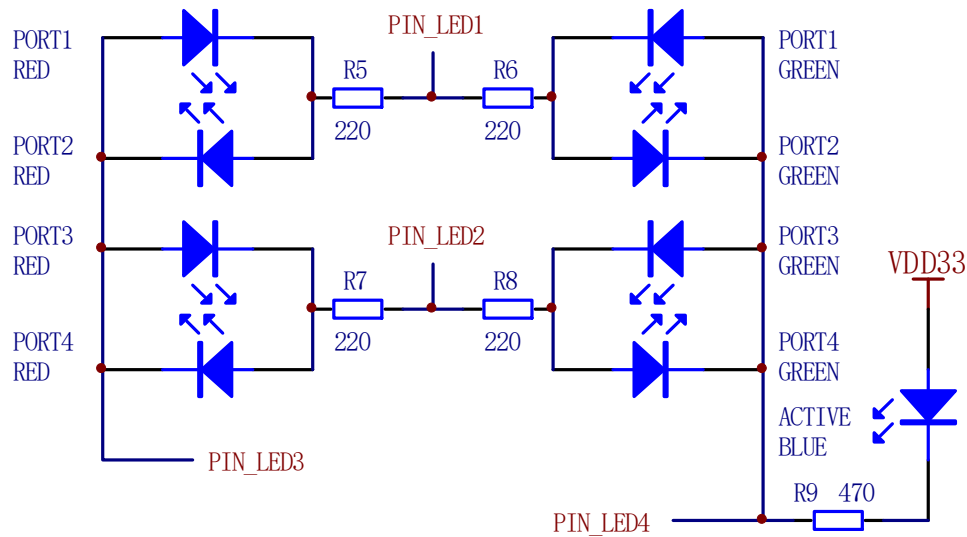
9-LED application by default.

3.3.5 CH335 All 9-LED Application

The 9-LED application is mainly used for CH335, as shown in Figure 3-3-4. The 9-LED application adds four red LEDs compared to the 5-LED application, and the corresponding red LEDs on the port indicate port abnormalities, including port overcurrent or transmission errors, etc.

For 9-LED applications, a CH335 with upstream port swapping turned off must be used, otherwise the upstream port will be swapped as a result of the LED3 pin being accidentally pulled low.

Figure 3-3-4 9-LED indicator application schematic



3.3.6 PGANG Pin LEDs

Some package forms provide PGANG pin or PSELF pin, PSELF is a built-in pull-up resistor input pin, used to configure the power supply mode. PGANG is a bi-directional pin, built-in pull-up resistor, during the reset to configure the power supply overcurrent protection mode, after the completion of the reset to sleep Suspend, normal Active state output. PGANG pin driven LED Equivalent to LED4 pin driven 1-LED applications, the difference is that the LED4 pin is dynamic time-sharing drive LED, PGANG pin is static drive, LED current limit resistor R9 can be larger resistance value.

As shown in the left diagram of Figure 3-3-5, the PGANG pin is pulled up by the built-in resistor by default and goes high by default to select overall overcurrent detection and overall power control. the PGANG pin outputs low and the LED is on to indicate Active and the LED is off to indicate Suspend.

As shown in Figure 3-3-5 right, the PGANG pin is pulled down by external resistor R4, low by default, and independent overcurrent detection is selected. the PGANG pin is internally inverted to output, and the PGANG pin outputs high and the LED is on to indicate Active, and the LED is off to indicate Suspend.

Figure 3-3-5 PGANG pin driving LED, the right picture is enabled PGANG

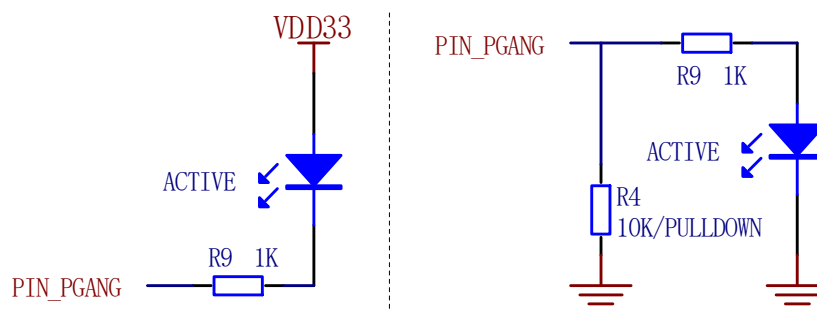
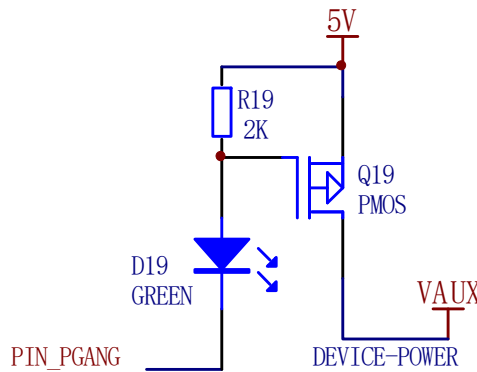


Figure 3-3-6 PGANG pin control external device power schematic

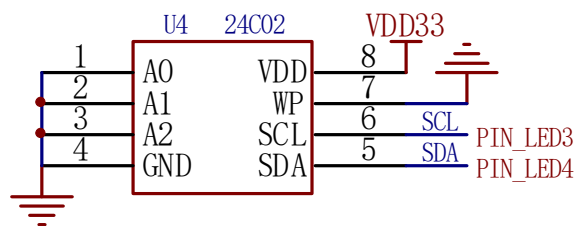


The statically driven PGANG pin can be used to control power to external devices, such as powering off peripherals during Suspend.

3.4 EEPROM Configuration Interface

CH334 and CH335 provide a 2-wire I2C interface to communicate with an external EEPROM memory chip with address 0 and custom manufacturer ID, product ID, configuration, etc. The SCL pin outputs a clock frequency of 187.5KHz and the SDA pin has a built-in pull-up current of approximately 250uA to support open-drain bi-directional data communication. No external pull-up resistor is required. Referring to Figure 3-4, there is no conflict between connecting external EEPROM and LED driver, supporting 9-LED, 5-LED, 1-LED, and no-LED applications.

Figure 3-4 External EEPROM connection diagram



CH334 and CH335 have built-in information memory, which can replace the external EEPROM for batch customization of vendor or product information and configuration for industry-specific needs, such as setting the number of downstream ports and setting the non-removable characteristics of devices on the downstream ports, etc.

3.5 EEPROM Contents

CH334/CH335 supports loading configuration information such as vendor identification code VID and product identification code PID from external EEPROM. After the chip is powered on, the data of internal information memory is loaded first, and the data of external EEPROM is loaded after loading internal data. If the checksum of data in EEPROM is invalid, all data in EEPROM is dropped; if the CHKSUM of EEPROM is valid, all data in EEPROM is loaded. the specific layout of EEPROM is shown in Table 3-5-1, and the definition of each address in EEPROM is explained in Table 3-5-2.

Table 3-5-1 EEPROM Address Layout

	00	01	02	03	04	05	06	07	08	09	0A	0B	0C	0D	0E	0F
00h	VID_ L	VID_ H	PID_ L	PID_ H	CHKS UM	FF	Device Removable	Port Number	Max Power	SI G	CFG	FF	FF	FF	FF	FF

10h- 2Fh	Reserved	
30h	Reserved	Prod Len+2
40h	Prod Len	Product String (UNICODE)
50h		
60h	Product String End	SN Len+2
70h	SN Len	Serial Number String (UNICODE)
80h- 9Fh	Serial Number String End	
A0h- FFh	Reserved	

Table 3-5-2 EEPROM address content definition

Byte Address	Parameter Abbreviation	Parameter Description	Default Value
00h	VID_L	The low byte of the vendor identification code VID.	86h
01h	VID_H	The high byte of the vendor identification code VID.	1Ah
02h	PID_L	The low byte of the product identification code PID.	Follow model
03h	PID_H	The high byte of the product identifier PID.	80h
04h	CHKSUM	The checksum CHKSUM must be equal to VID_H+VID_L+PID_L+PID_H+1. Otherwise, all data in the EEPROM is ignored.	
06h	Device Removable	Bit7 to Bit5, Bit0: Reserved. Bit4: A value of 1 indicates that the device connected to downstream port 4 is not removable. Bit3: A 1 indicates that the device connected to downstream port 3 is not removable.	00h

		<p>Bit2: A 1 indicates that the device connected to downstream port 2 is not removable.</p> <p>Bit1: A value of 1 indicates that the device connected to downstream port 1 is not removable.</p>	
07h	Port Number	Number of downstream ports, valid value range 1 to 4.	04h
08h	Max Power	Maximum operating current in 2mA.	32h
09h	SIG	0Ah information CFG valid signature flag, must be 5Ah, otherwise CFG is invalid.	5Ah
0Ah	CFG	<p>Bit7: Reserved.</p> <p>Bit6: EEPROM write permission, 0=write protect, 1=allow to be rewritten by USB tool.</p> <p>Bit5: Overcurrent detection voltage threshold OC_LEVEL selection. Default 0=2.4V and weak pull-up, 1=4.1V and weak pull-down. 4.1V is optional when PMOS is used to simplify power control, otherwise 2.4V is used.</p> <p>Bit4: Reserved, must be 1.</p> <p>Bit3: Reserved, must be 0.</p> <p>Bit2: Configure the power supply mode SELF_POWER. Default 1 = self-powered (recommended), 0 = bus-powered. EEPROM configuration 0 is equivalent to the pin PSELF set low.</p> <p>Bit1: Indicator enable INDICATOR_EN, default 0, 1=enable indicator.</p> <p>Bit0: Configure the power overcurrent protection mode GANG_MODE. Default 1 = overall linked overcurrent detection, 0 = independent overcurrent detection.</p> <p>EEPROM configuration 0 is equivalent to the pin PGANG or LED2 external pull-down.</p>	57h

3.6 Bus-powered and Self-powered

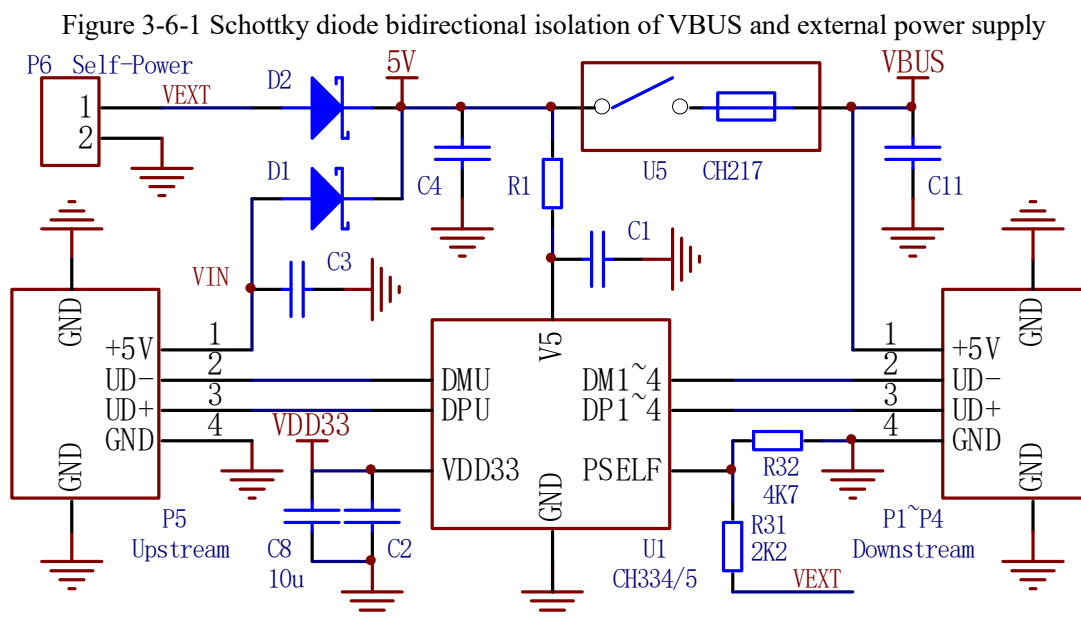
CH334/CH335 support USB bus power and HUB self-power. The bus power comes from the USB upstream port

with 500mA or 900mA, 1.5A and other standards. The USB cable internal resistance loss and HUB's own consumption will reduce the power supply to the downstream port, and the downstream port voltage may be low. Self-powered usually comes from the external power port, depending on the external power supply capacity. Since the voltages of self-powered and bus-powered are hardly equal, the HUB needs to avoid high currents from direct shorting of the two. In addition, when the USB upstream port is powered off, the HUB also needs to avoid backing up current from the self-powered external power supply to the USB bus and the USB host.

3.6.1 Two-way Isolation Schematic

Diodes D1 and D2 are used to bi-directionally isolate the VBUS bus power and P6 port external power supply to prevent the two power supplies from backfilling each other, using high power Schottky diodes to reduce their own voltage drop, the downstream port VBUS gets 4.7V or even lower, for illustration purposes only.

Optionally, voltage divider resistors R31 and R32 are used to enable automatic configuration of both bus-powered and self-powered modes.

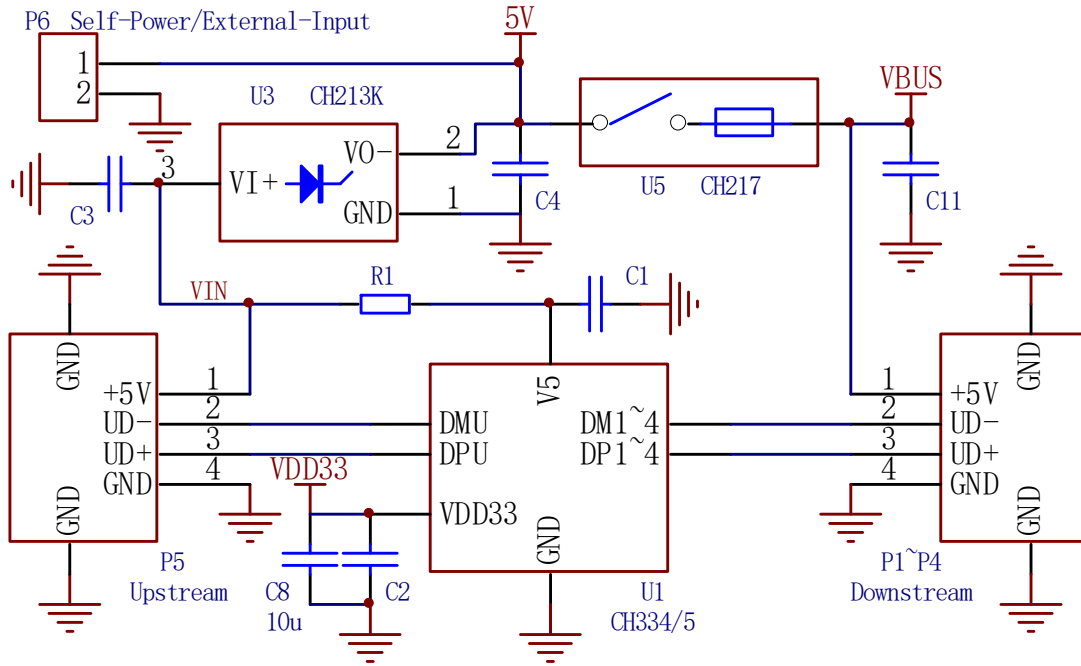


3.6.2 Practical Single Isolation Scheme

The ideal diode functions as a low dropout single conductor, and U3 is used to prevent the external power supply from port P6 from backing up to upstream port VBUS. At 500mA current, the voltage drop of U3 is about one-third of the voltage drop of the Schottky diode, and 4.9V is available at downstream port VBUS.

Optionally, the V5 power supply for CH334/5 in the figure skips U3 to be supplied directly from the upstream port VBUS. In this case, U3 provides simple overcurrent and short-circuit protection for the upstream port VBUS power supply even without the USB current-limited distribution switch CH217.

Figure 3-6-2 The ideal diode isolating VBUS and external power supply



Chapter 4 Parameters

4.1 Absolute Maximum Value (critical or exceeding the absolute maximum value will probably cause the chip to work improperly or even be damaged)

Name	Parameter description	Min.	Max.	Unit
TA	Ambient temperature at work	-40	85	°C
TS	Ambient temperature during storage	-55	150	°C
V5	LDO input supply voltage (V5 pin to power, GND pin to ground)	-0.4	5.5	V
VDD33	Operating supply voltage (VDD33 pin to power, GND pin to ground)	-0.4	4.0	V
V5I	Voltage on 5V tolerant voltage input pins	-0.4	5.3	V
VUSB	Voltage on USB signal pins	-0.4	VDD33+0.4	V
VGPIO	Voltage on other (3.3V) input or output pins	-0.4	VDD33+0.4	V
VESD	HBM ESD tolerant voltage on USB signal pins	6K		V

4.2 Electrical Parameters (test conditions: TA=25°C, V5=5V or V5=VDD33=3.3V)

Name	Parameter description		Min.	Typ.	Max.	Unit
V5	LDO input supply voltage @ V5	Enable internal LDO	4.5	5.0	5.25	V
	External supply voltage @ V5	No internal LDO required	3.2	3.3	3.4	
VDD33	LDO output voltage @VDD33	Enable internal LDO	3.2	3.3	3.5	V
	External 3.3V supply @VDD33	No internal LDO required	3.2	3.3	3.4	
ILDO	Internal power regulator LDO external load capability				20	mA
ICC	Operating current	Upstream High-speed	4 downstream high-speed		85	mA
		Upstream High-speed	1 downstream high-speed		42	mA
		Upstream High-speed	4 downstream full-speed		25	mA
		Upstream High-speed	1 downstream full-speed		21	mA
		Upstream Full-speed	4 downstream full-speed		20	mA
		Upstream High-speed Upstream Full-speed	No equipment on the downstream 1.5KΩ pull-up included		0.3	mA

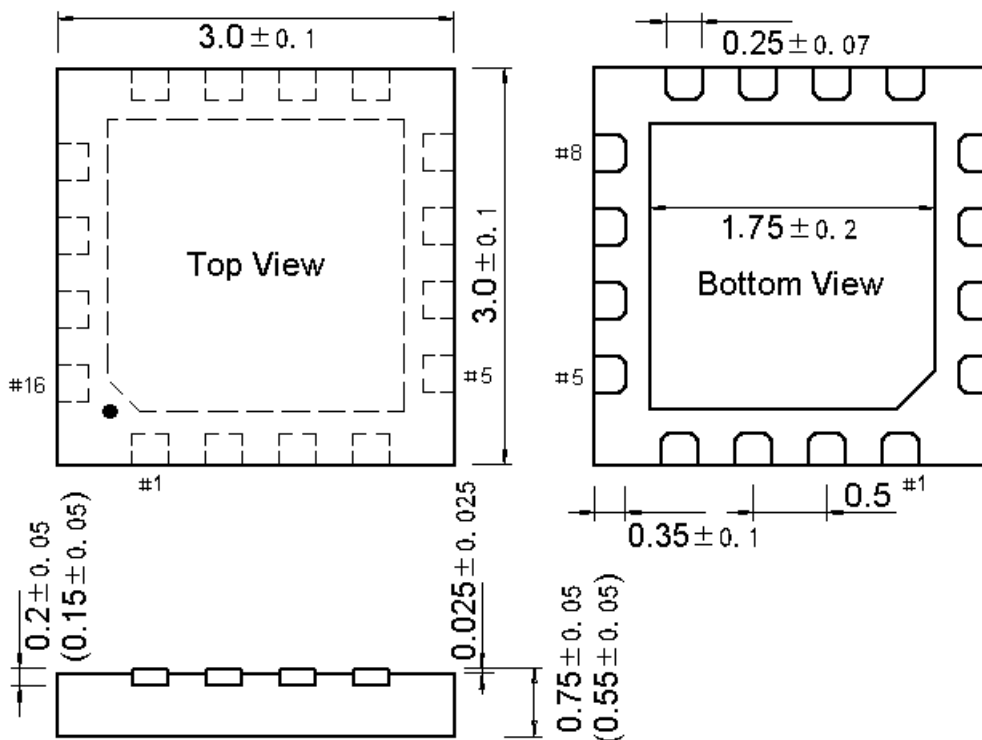
ISLP	Deep sleep supply current (without 1.5K Ω pull-up) Or: own sleep power current (not connected to USB host)			0.12	0.4	mA
VIL	Low level input voltage on pins other than overcurrent detection		0		0.8	V
VIH	High level input voltage for pins other than overcurrent detection		2.0		VDD33	V
VILRST	Low input voltage on the RESET# pin		0		0.75	V
VIX	Error of overcurrent detection voltage threshold OC_LEVEL			± 0.2		V
VOL	Low Level Output Voltage	LED pin, draws 15mA current		0.5	0.6	V
		PWREN# pin, draws 4mA current		0.5	0.6	V
VOH	High level Output Voltage	LED pin, 10mA output current	VDD33-0.6	VDD33-0.5		V
		PWREN# pin, output 1mA current	VDD33-0.6	VDD33-0.5	4.3	V
IPU	Pull-up current	LED1/2/3/PSELF/PGANG pins	16	40	80	μ A
IPUOC	Pull-up current	OVCUR# pins	8	14	24	μ A
IPDOC	Pull-down current	OVCUR# pins	2	5	40	μ A
Vlvr	Voltage threshold for power supply low voltage reset		2.5	2.9	3.2	V

Chapter 5 Package Information

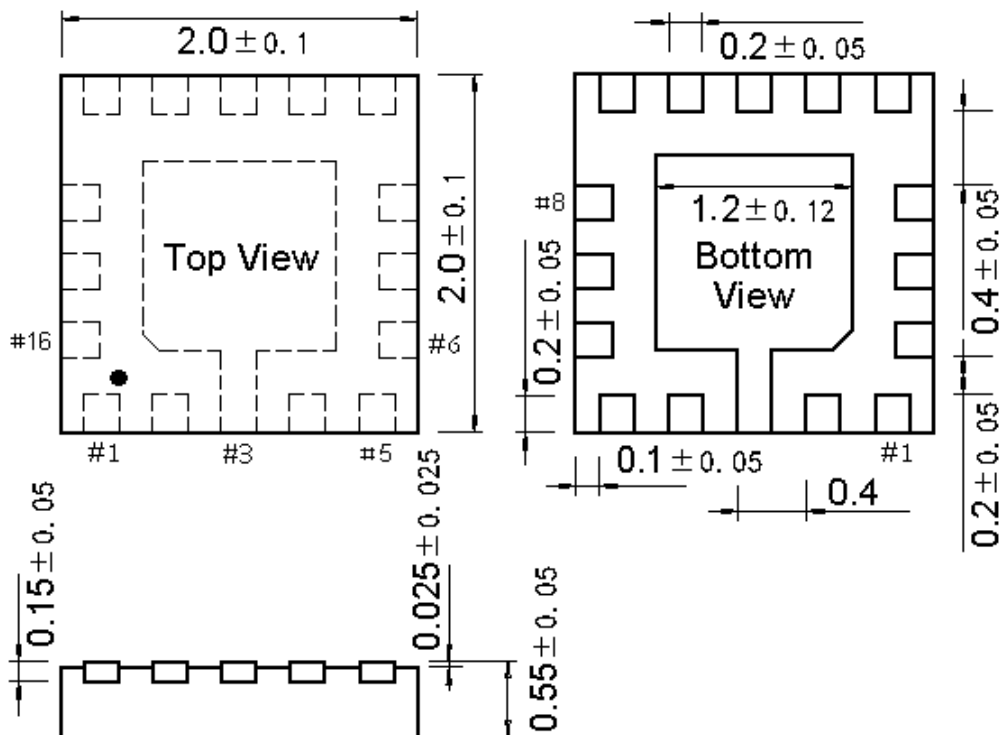
Note: The unit of dimensioning is mm (millimeter).

The pin center spacing is the nominal value without error, and the dimensional error other than that is no more than $\pm 0.2\text{mm}$.

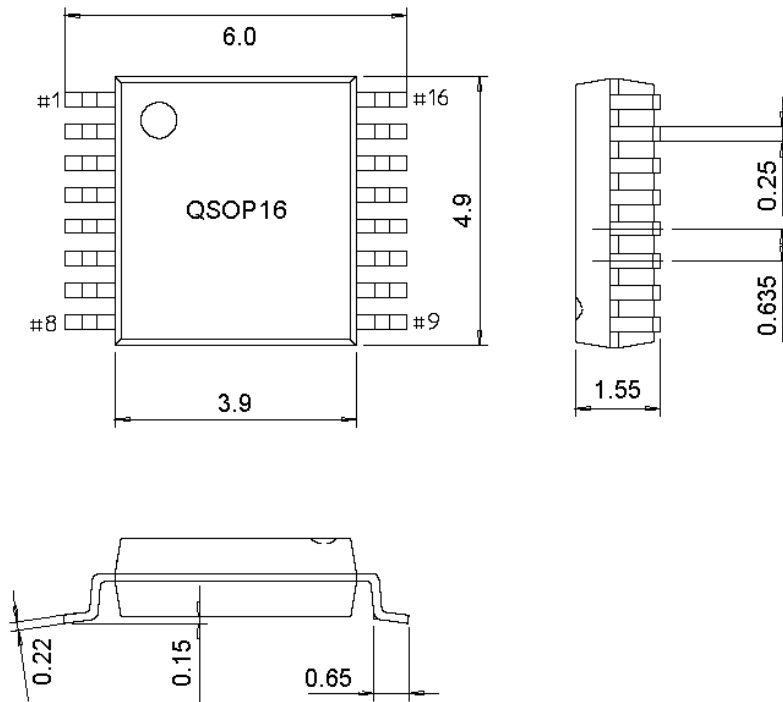
5.1 QFN16_3×3×0.75-0.5



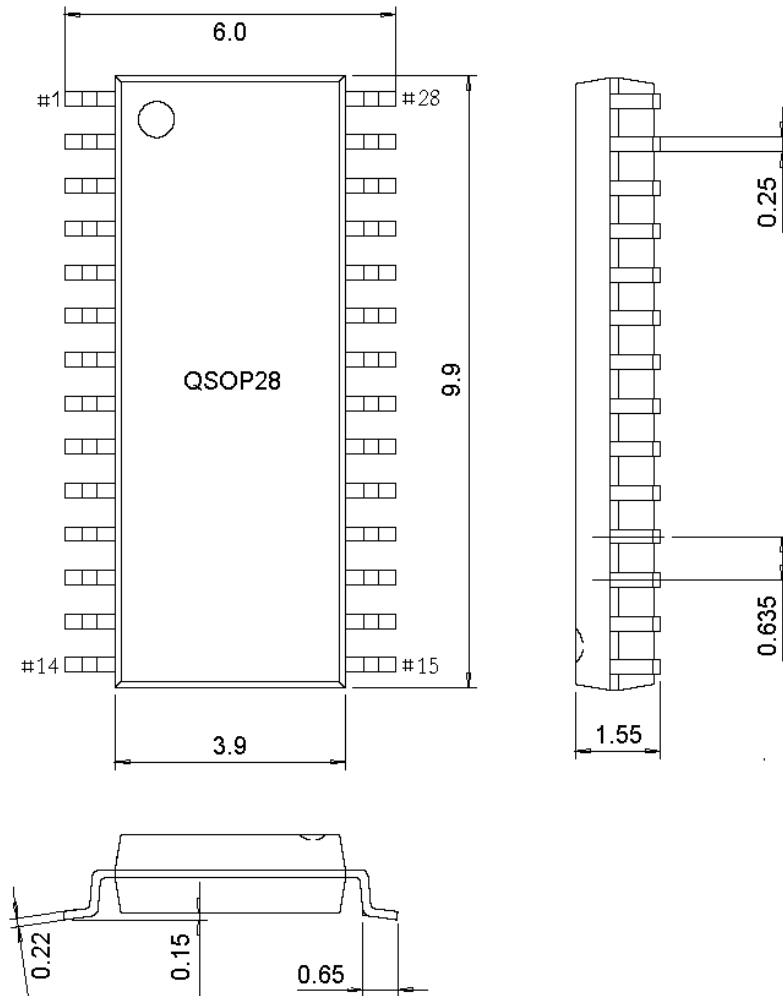
5.2 QFN16C_2×2×0.55-0.4



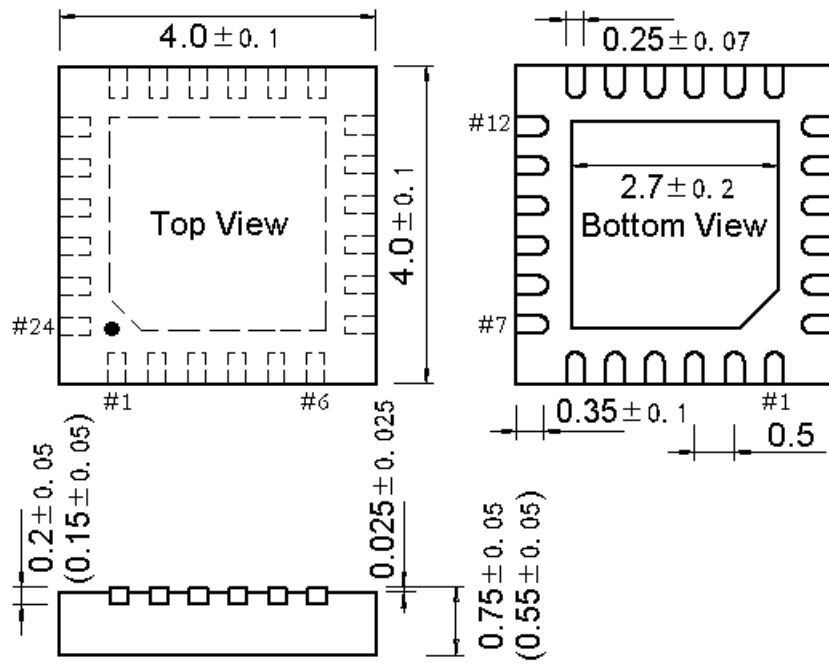
5.3 QSOP16 (150mil)



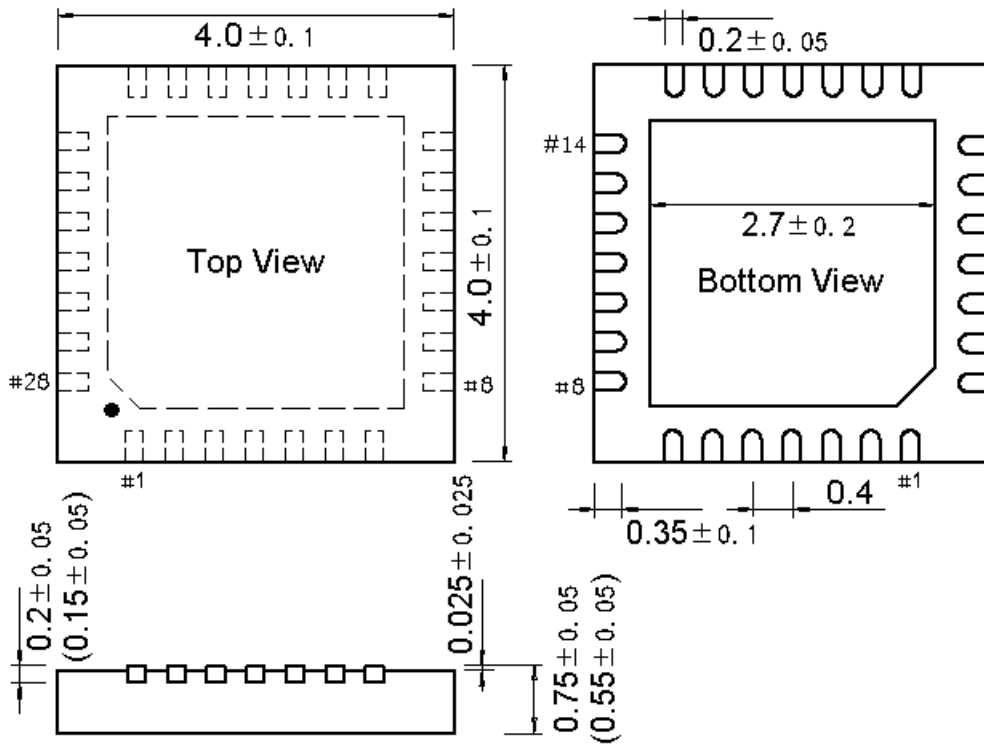
5.4 QSOP28 (150mil)



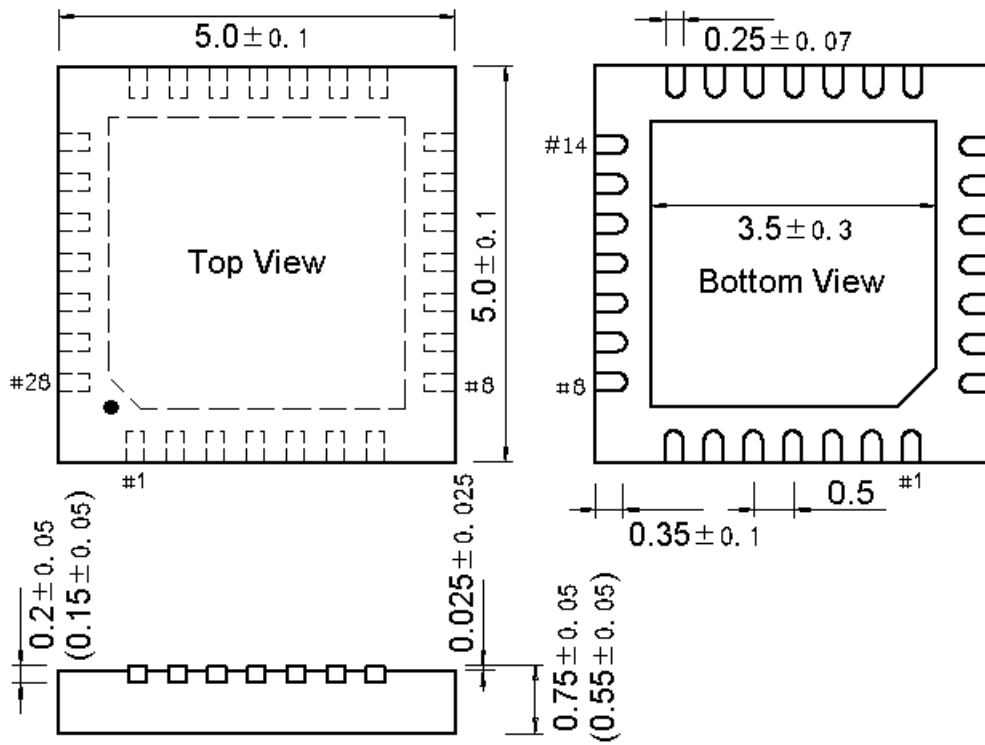
5.5 QFN24_4×4×0.75-0.5



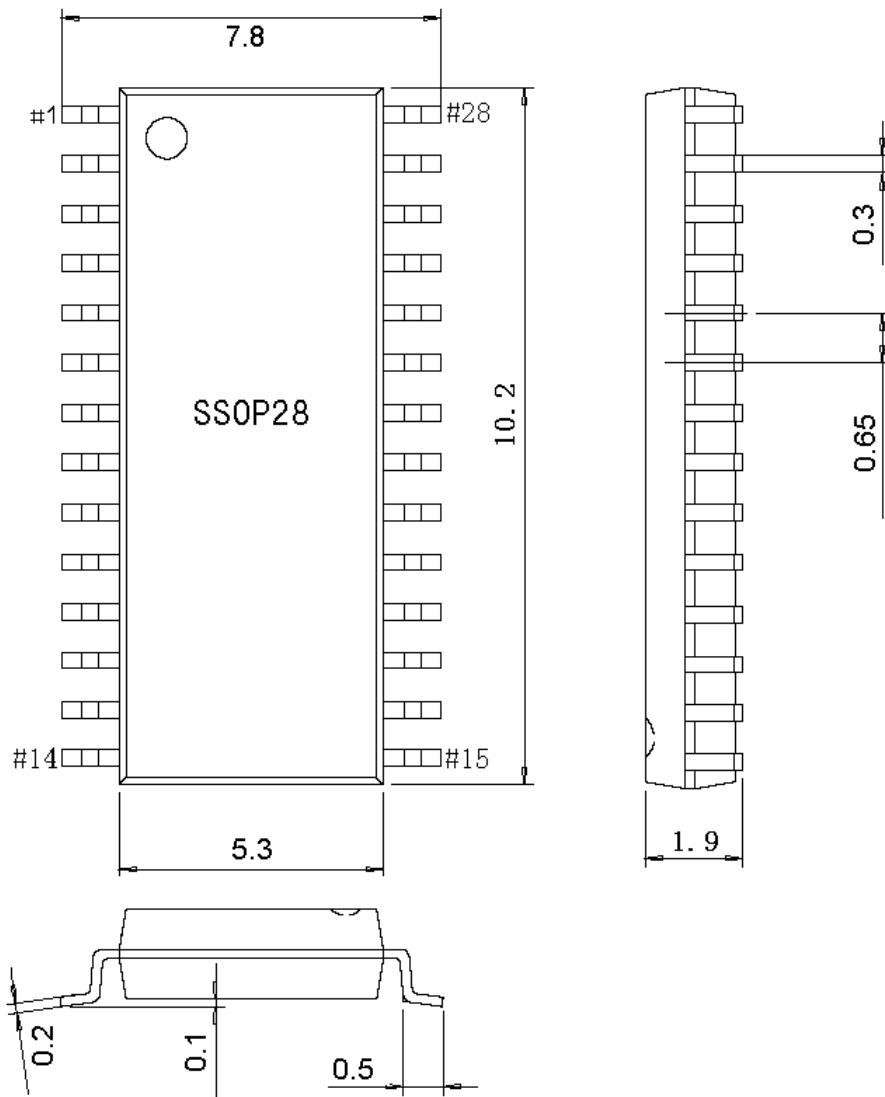
5.6 QFN28_4×4×0.75-0.4



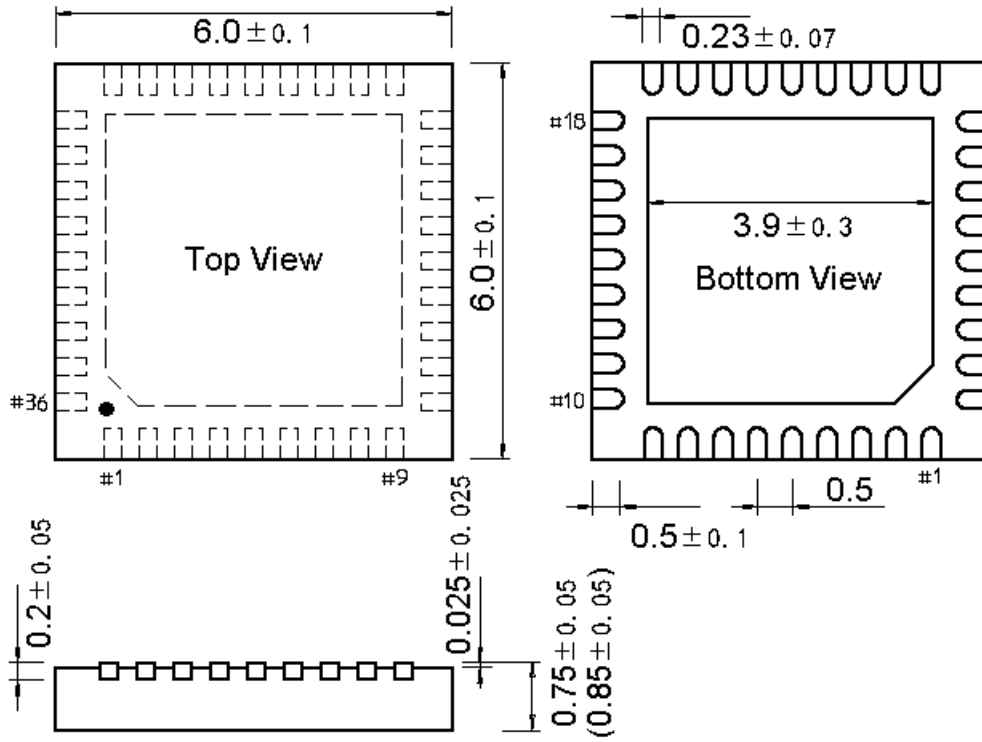
5.7 QFN28_5×5×0.75-0.5



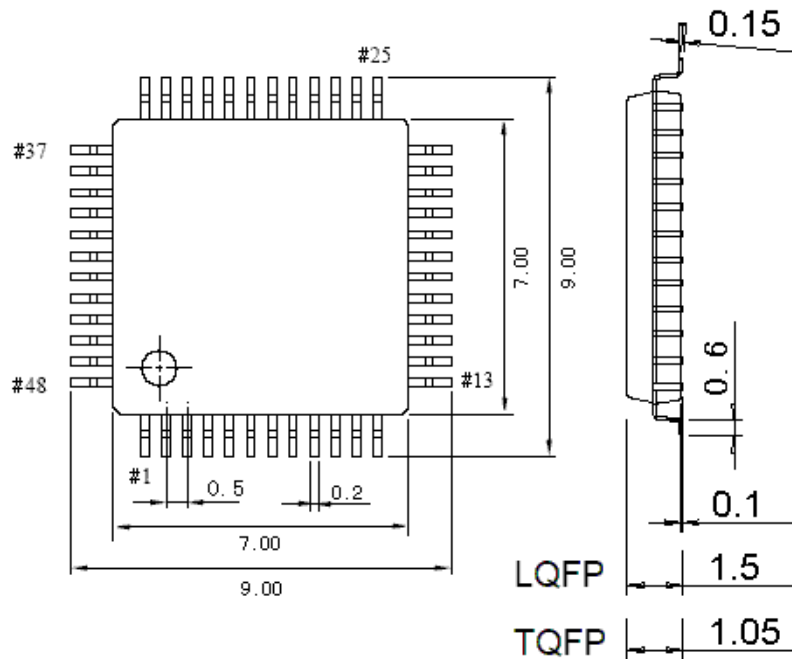
5.8 SSOP28 (209mil)



5.9 QFN36_6×6×0.75-0.5

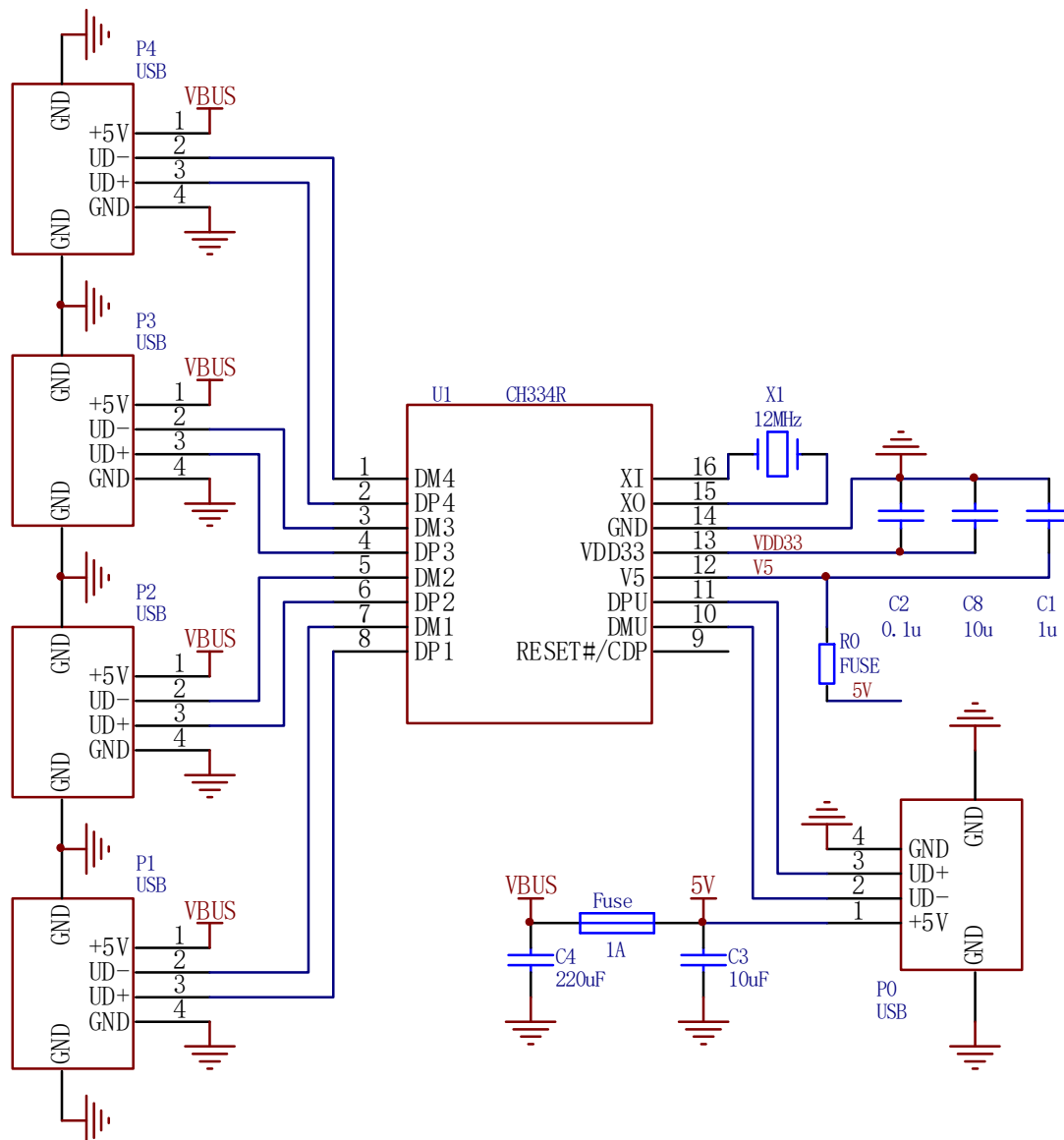


5.10 LQFP48-7×7



Chapter 6 Applications

6.1 Simplified Application, Bus-powered



R0 is a 100mA fuse resistor, for simplified applications, 0Ω can be used. If there is an overvoltage protection device, it is connected to pin V5.

Fuse, the insurance resistor between 5V and VBUS, can be replaced with a USB current-limiting power switch chip for faster protection response and better results.

Industrial grade applications are recommended to connect both V5 and VDD33 to an external 3.3V power supply to reduce the maximum power consumption of the HUB chip from 85mA*5V to 85mA*3.3V, which helps to reduce the voltage drop and temperature rise of the HUB chip. It is measured to support extended industrial grade temperature range -40°C~105°C and available for short term at 125°C (some parameters will be over). Note that the fuse resistor and USB power switch chip may not support high temperature.

The CH334X/Q does not have an internal LDO buck regulator and V5 pin, all VDD33 needs to be connected to an external 3.3V supply.

At the moment of powered hot-plug of USB devices on the downstream port, the dynamic load may cause the VBUS and 5V voltages to drop instantaneously, which in turn may generate LVR low-voltage reset and thus the whole HUB disconnected and reconnected. Improvement method. ① Increase the electrolytic capacitor of the 5V power supply within the allowed range of the specification (increase the capacity of C4 shown in the figure) to alleviate the dip. ② Increase the capacitance of the LDO output of the HUB chip (increase the capacity of C8 shown in the

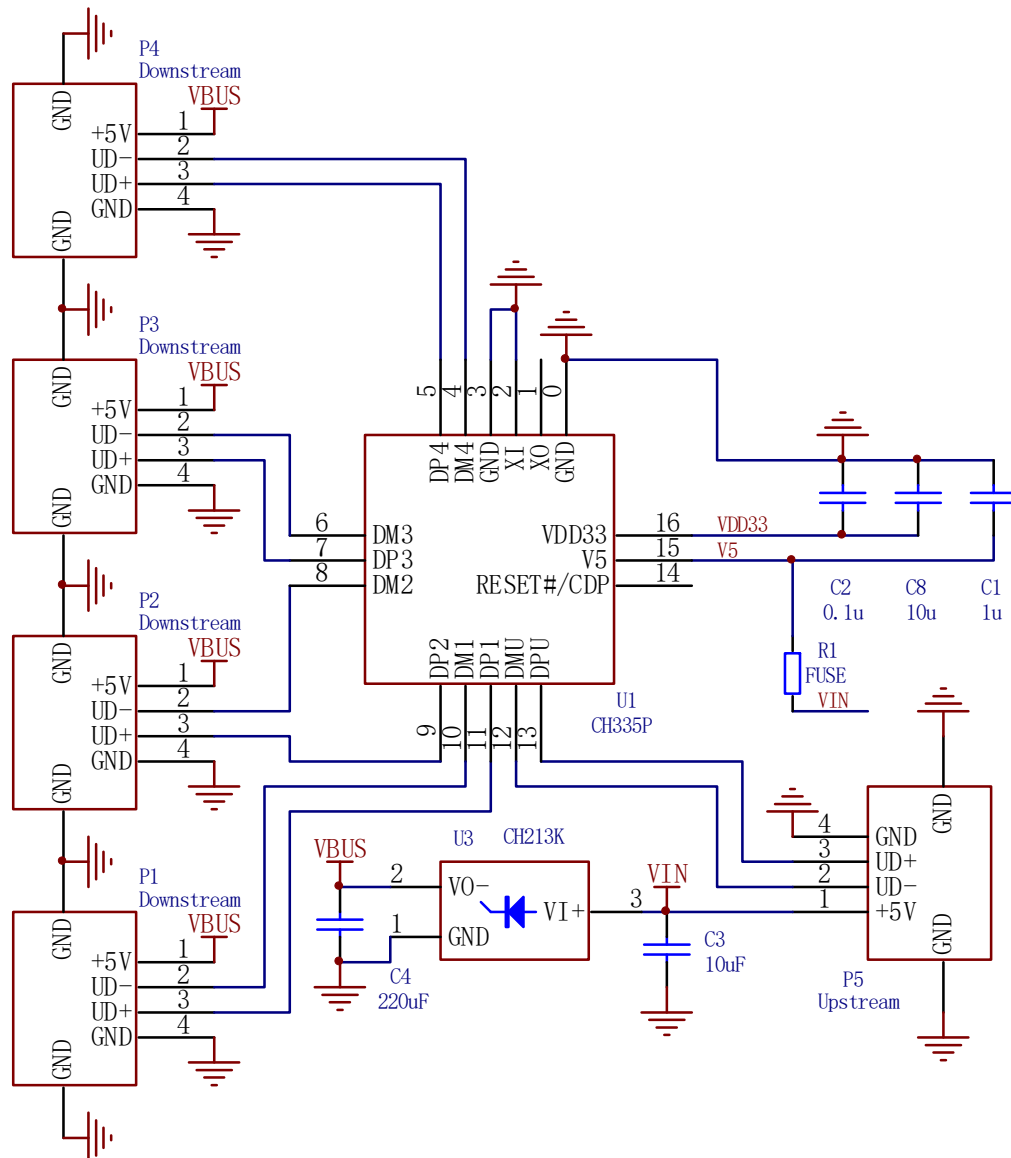
figure, e.g. 22uF). ③ not to use the internal LDO of the HUB, but to externally supply 3.3V to V5 and VDD33 pins, and to increase the capacitance of the 3.3V power supply. ④ Enhance the 5V power supply or change it to self-powered, in addition, improving the quality of the USB cable will also improve the power supply.

6.2 Crystal-free Application, Bus-powered

CH334 and CH335 have built-in professional high precision clocks, which can remove the external 12MHz crystal (24MHz crystal for CH334X), reduce the size of the whole machine and lower the EMI and cost, some of the indicators may deviate from the USB specification, and are only applicable to non-precision occasions.

Crystal-free belongs to the configurable function, CH335 and CH334 part of the package form is not turned on by default, can be confirmed at the time of ordering. When the application of the XO pin is suspended and the XI pin is connected to GND to select the crystal-free, otherwise XI and XO need to be connected to the crystal.

U3 is a low-voltage drop ideal diode CH213, which has simple overcurrent and short-circuit protection functions, and the protection response is faster, so it can replace and eliminate the fuse resistor Fuse between 5V and VBUS in the previous section 6.1.

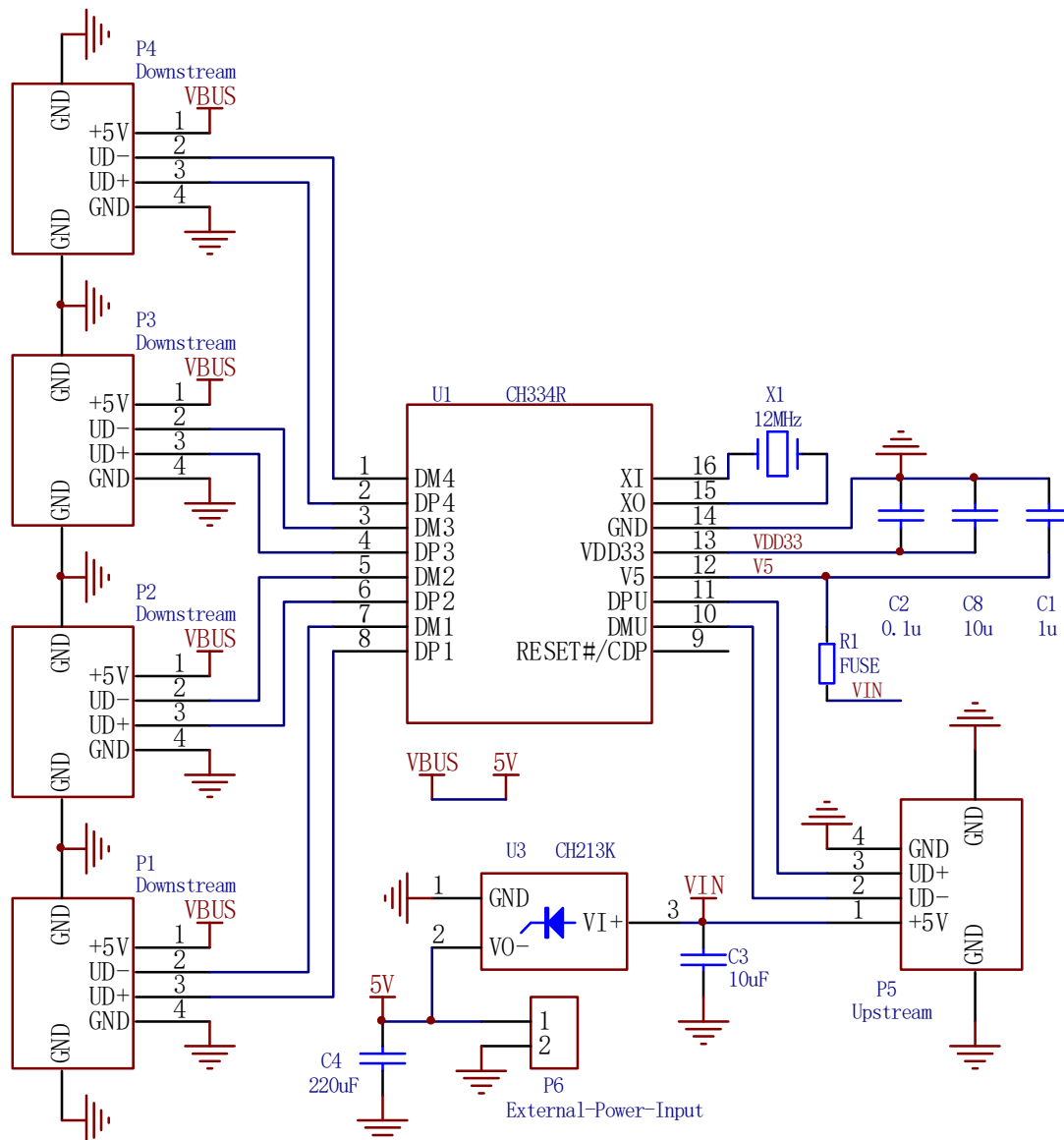


6.3 Simplified Application with External Power Supply

The main difference with the circuit in the previous section 6.1 is having an externally powered port P6, U3 is the low voltage drop ideal diode CH213 for avoiding backflow of external power from P6 to the VBUS of upstream port P5, especially in the case when the upstream port, for example, the computer is turned off while P6 is still externally powered. Theoretically U3 can be replaced with a Schottky diode, but it is necessary to choose a device with a lower voltage drop of its own, otherwise it will reduce the output voltage of the VBUS of the downstream port. At 300mA load current, the voltage drop of the Schottky diode is about 0.3V and the voltage drop of the ideal diode is about 0.05V.

Since P6 itself and the external power supply usually have no load, the backflow from P5 to P6 is generally not considered.

The low voltage drop CH213 has simple overcurrent and short-circuit protection with a faster protection response, thus replacing and eliminating the fuse resistor Fuse between 5V and VBUS in the previous section 6.1. The external power supply to which P6 is connected needs to have overcurrent and short-circuit protection itself, otherwise, a fuse resistor needs to be added between P6 and 5V, or between 5V and VBUS with a USB Otherwise, you need to add a fuse resistor between P6 and 5V, or add a USB power switch chip between 5V and VBUS.



6.4 On-board Embedded HUB

If there is an on-board 3.3V supply, then it is recommended to connect both V5 and VDD33 of the HUB chip to the 3.3V supply. In this case, C8 and C2 can also be combined into a single 1uF capacitor (optional).

If the USB device is also fixed on-board, then the corresponding USB device on the downstream port can also be set to be non-removable, and it is possible to simplify VBUS power control, direct 5V to the USB device, simplify or eliminate overcurrent detection, etc.

6.5 Independent Overcurrent Detection Applications

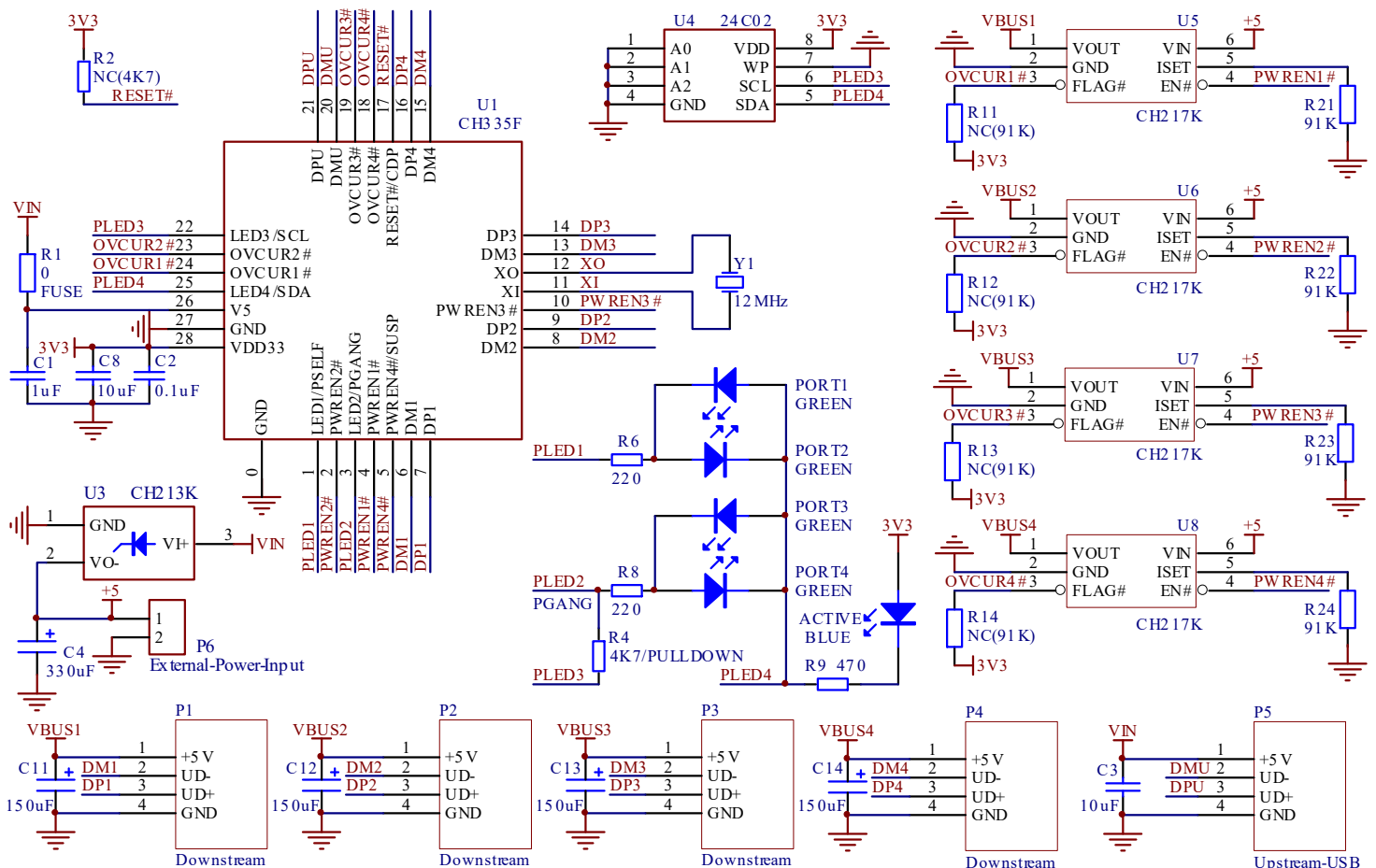
The following figure shows the application reference diagram of independent power distribution control and independent overcurrent detection for each port of the HUB, which can be used for computers and HUB hubs. In the diagram, R21 to R24 set the current limit threshold according to the power supply capability, the FLAG# pin of CH217 can generate over-current or over-temperature alarm signal to notify the HUB controller and computer, and the OVCUR# pin of CH334/5 has built-in pull-up resistor (default OC_LEVEL=0).

Resistor R3 is used for current limiting protection, selectable from 470Ω to 1.5KΩ range. The IO pin of the MCU is connected to the LED3 pin through R3 to control the upstream port switching. For CH335 with upstream port switching function turned off, you can short-circuit D5 and remove D5 and R3.

P6 is the external self-powered input port and the ideal diode U3 is used to avoid backflow of external power to the USB power of the upstream port. If there is no P6 or if anti-backflow is not considered, then U3 is not needed and the connection between VIN and +5V can be shorted.

PCB design needs to consider the actual operating current carrying capacity, VIN, +5V, VOUT (VBUS*) and P6 and each port GND alignment path of the PCB as wide as possible, if there is an over-hole is recommended multiple parallel connection.

It is recommended to add overvoltage protection devices to VIN and ESD protection devices to all USB signals, for example, CH412K, whose VCC should be connected to 3V3.



6.6 Overall Overcurrent Detection Applications

The following diagram shows the application reference diagram of GANG power distribution control and overall overcurrent detection for all ports of the HUB. CH217 is the USB power distribution switch chip that supports overcurrent protection.

