

Overview

CH32V series are industrial-grade general-purpose microcontrollers designed based on QingKe 32-bit RISC-V. The whole series of products into the hardware stack area, fast interrupt entry and other designs, compared to the standard greatly improved the interrupt response speed. CH32V203 is based on 32-bit RISC-V core design of industrial-grade enhanced low-power general-purpose microcontrollers, high-performance, in the product features support 144MHz main frequency zero-wait operation, equipped with V4B core, work and sleep power consumption significantly reduced year-on-year. CH32V203 series integrated dual USB interface, support USB Host and USB Device function, with CAN interface (2.0B active), dual OPA, 4 groups of USART, dual I2C, 12-bit ADC, 10-channel Touchkey and other rich peripheral resources.

Features

- **Core:**
 - QingKe 32-bit RISC-V core with multiple instruction set combinations
 - Fast programmable interrupt controller + hardware interrupt stack
 - Branch prediction, conflict handling mechanism
 - Single cycle multiplication, hardware division, hardware FPU
 - System main frequency 144MHz
- **Memory:**
 - Available with up to 64KB volatile data storage area SRAM
 - Available with 224KB program memory CodeFlash (zero-wait application area + non-zero-wait data area)
 - 28KB BootLoader
 - 128B non-volatile system configuration memory
 - 128B user-defined memory
- **Power management and low-power consumption:**
 - System power supply V_{DD} : 3.3V
 - Independent power supply for GPIO unit V_{IO} : 3.3V
 - Low-power mode: Sleep, Stop, Standby
 - V_{BAT} independently powers RTC and backup register
- **Clock & Reset**
 - Built-in factory-trimmed 8MHz RC oscillator
 - Built-in 40 KHz RC oscillator
 - Built-in PLL, optional CPU clock up to 144MHz
 - High-speed external 3~25MHz oscillator
 - Low-speed external 32.768 KHz oscillator
 - Power on/down reset, programmable voltage detector
- **Real-time clock (RTC):** 32-bit independent RTC timer
- **1 group of 8-channel general-purpose DMA controller**
 - 8 channels, support ring buffer
 - Support TIMx/ADC /USART/I2C/SPI
- **2 groups of OPAs and comparators: connected with ADC and TIMx**
- **2 groups of 12-bit ADC**
 - Analog input range: $V_{SSA} \sim V_{DDA}$
 - 16 external signals + 2 internal signals
 - On-chip temperature sensor
 - Dual ADC conversion mode
- **16-channels Touch-Key detection**
- **Multiple timers**
 - 1×16-bit advanced-control timers, with dead zone control and emergency brake; can offer PWM complementary output for motor control
 - 3×16-bit general-purpose timers, provide input capture/output comparison/PWM/pulse counting/incremental encoder input
 - 1×32-bit general-purpose timer (for CH32V203RBx)

- 2 watchdog timers (independent watchdog and window watchdog)

- SysTick: 64-bit counter

- **Communication interfaces:**

- 4 USART interfaces

- 2 I2C interfaces (support SMBus/PMBus)

- 2 SPI interfaces

- USB2.0 full-speed device interface (full-speed and low-speed)

- USB2.0 full-speed host/device interface

- CAN interfaces (2.0B active)

- **Fast GPIO port**

- 37 I/O ports, mapping 16 external interrupts

- **Security features: CRC unit, 96-bit unique ID**

- **Debug mode: 2-wire serial debug interface (SDI)**

- **Package: LQFP, QFN, TSSOP or QSOP**

Chapter 1 Series Product Description

CH32V series are industrial-grade general-purpose enhanced MCUs based on 32-bit RISC-V instruction set and architecture. Its products are divided by function resources into categories such as general-purpose, connectivity, and wireless communication. They extend each other in terms of package types, peripheral resources and quantities, pin numbers, and device characteristics, but they are compatible with each other in software, functions, and hardware pin configurations. The product iterations and rapid applications provide freedom and convenience for users in product development.

For the features of this series of products, please refer to the datasheet.

For the peripheral function description, usage and register configuration, please refer to "CH32FV2_V3RM".

The datasheets and reference manuals can be downloaded on the official website of WCH: <https://www.wch-ic.com/>

Information about the RISC-V instruction set architecture can be downloaded from: <https://riscv.org/>

This manual is for CH32V203 series datasheet. Please refer to "CH32V307DS0" for V303/305/307/317 series and "CH32V208DS0" for V208 series.

Table 1-1-1 CH32V203/208 Series overview

Small-and-medium capacity general-purpose (V203)		Wireless (V208)
QingKe V4B		QingKe V4C
32K FLASH	64K FLASH	128K FLASH
10K SRAM	20K SRAM	64K SRAM
2*ADC (TKey)	2*ADC(TKey)	ADC(TKey)
ADTM	ADTM	ADTM
3*GPTM	3*GPTM	3*GPTM
2*USART	4*USART	GPTM(32)
SPI	2*SPI	4*USART/UART
I2C	2*I2C	2*SPI
USB	USB	2*I2C
USBFS	USBFS	USB
CAN	CAN	USBFS
RTC	RTC	CAN
2*WDG	2*WDG	RTC
2*OPA	2*OPA	2*WDG
		2*OPA
		ETH-10M(+PHY)
		BLE5.3

Note: The number of peripherals or functions of some products in the same category may be limited by the package, please confirm the product package when selecting.

Table 1-1-2 CH32V303/305/307/317 Series overview

Large-capacity general-purpose (V303)		Connectivity (V305)		Interconnectivity (V307)	Interconnectivity (V317)
QingKe V4F					
128K Flash	256K Flash	128K Flash	256K Flash	256K Flash	256K Flash
32K SRAM	64K SRAM	32K SRAM	64K SRAM	64K SRAM	64K SRAM
2*ADC(TKey)	2*ADC(TKey)	2*ADC(TKey)	2*ADC(TKey)	2*ADC(TKey)	2*ADC(TKey)
2*DAC	2*DAC	2*DAC	2*DAC	2*DAC	2*DAC
4*ADTM	4*ADTM	4*ADTM	4*ADTM	4*ADTM	4*ADTM
4*GPTM	4*GPTM	4*GPTM	4*GPTM	4*GPTM	4*GPTM
2*BCTM	2*BCTM	2*BCTM	2*BCTM	2*BCTM	2*BCTM
8*USART/UART	8*USART/UART	5*USART/UART	5*USART/UART	8*USART/UART	8*USART/UART
3*GPTM	3*GPTM	3*GPTM	3*GPTM	3*GPTM	3*GPTM
3*USART	3*USART	3*USART	3*USART	3*USART	3*USART
2*SPI	2*SPI	2*SPI	2*SPI	2*SPI	2*SPI
2*I2C	2*I2C	2*I2C	2*I2C	2*I2C	2*I2C
USBFS	USBFS	USBFS	USBFS	USBFS	USBFS
CAN	CAN	CAN	CAN	CAN	CAN
RTC	RTC	RTC	RTC	RTC	RTC
2*WDG	2*WDG	2*WDG	2*WDG	2*WDG	2*WDG
4*OPA	4*OPA	4*OPA	4*OPA	4*OPA	4*OPA
	RNG	RNG	RNG	RNG	RNG
	SDIO	SDIO	SDIO	SDIO	SDIO
	FSMC	FSMC	FSMC	FSMC	FSMC
				DVP	DVP
				ETH-1000M	ETH-1000M
				MAC	MAC
				10M PHY	10M/100M PHY

Note: The number of peripherals or functions of some products in the same category may be limited by the package, please confirm the product package when selecting.

Abbreviations:

ADTM: Advanced-control Timer

GPTM: General-purpose Timer

GPTM(32): 32-bit General-purpose Timer

BCTM: Basic Timer

TKey: Touch key

OPA: Operational Amplifier/Comparator

RNG: Random Number Generator

USB: Universal Serial Bus Full-speed Device

USBFS: Universal Serial Bus Full-speed Host/Device

USBHS: Universal Serial Bus High-speed Host/Device

Table 1-2 Overview of Cores

Core	Feature	Instruction Set	Hardware Stack Level	Interrupt Nesting Level	Number of Fast Interrupt	Integer Division Period	Vector table mode	Extended instruction	Memory protection

				Channels				
V4B	IMAC	2	2	4	9	Address or instruction	Support	No
V4C	IMAC	2	2	4	5	Address or instruction	Support	Standard
V4F	IMAFC	3	8	4	5	Address or instruction	Support	Standard

Note: For information about the core, please refer to the QingKeV4 microprocessor manual "QingKeV4_Processor_Manual".

Chapter 2 Specification

CH32V203 series are 32-bit RISC core MCUs based on the RISC-V instruction set architecture (ISA), with 144MHz operating frequency, and built-in high-speed memory. It has multiple buses working synchronously, and provides a wealth of peripheral functions and enhanced I/O ports. This series of products has built-in 2 12-bit ADC modules, multiple timers, multi-channel capacitance touch key detection (TKey) and other functions. It also contains standard and dedicated communication interfaces: I²C, SPI, USART, CAN controller, USB2.0 full-speed host/device controller, USB2.0 full-speed device controller, etc.

The rated working voltage of the product is 3.3V, and the working temperature range is -40°C~85°C in industrial grade. It supports several power-saving operating modes to meet the product's low-power application requirements. Various models in the series are different in terms of resource allocation, number of peripherals, peripheral functions, etc., and can be selected as needed.

2.1 Model Comparison

Table 2-1 Low-and-medium-density general-purpose products resource allocation

Differences		Part No.	CH32V203									
			F6	F8	G6	G8	K6	K8	C6	C8	RB	
Pin count			20	20	28	28	32	32	48	48	64	
Flash (bytes) ⁽¹⁾			32K	64K	32K	64K	32K	64K	32K	64K	128K ⁽²⁾	
SRAM (bytes)			10K	20K	10K	20K	10K	20K	10K	20K	64K	
GPIO port count			16	17	24	24	26	26	37	37	51	
Timer	Advanced-control (16-bit)		1 ⁽³⁾	1 ⁽³⁾	1 ⁽³⁾	1 ⁽³⁾	1	1	1	1	1	
	General-purpose (16-bit)		3 ⁽³⁾	3 ⁽³⁾	3 ⁽³⁾	3 ⁽³⁾	3	3	3	3	3	
	General-purpose (32-bit)		-								1	
	Watchdog		2 (WWDG + IWDG)									
	SysTick (64-bit)		supported									
RTC			supported									
ADC/TKey (channel@unit count)			9@2	9@2	10@2	10@2	10@2	10@2	10@2	10@2	16@1	
OPA			1	2	2	2	2	2	2	2	2	
Communication interface	USART/UART		1	2	2	2	2	2	2	4	4	
	SPI		1	1	1	1	1	1	1	2	2	
	I2C		0	1	-	1	1	1	1	2	2	
	CAN		1	-	1	1	1	1	1	1	1	
	USB (FS)	USBD		1	-	1	1	1	1	1	1	1
		USBHD		-	1	-	-	1	-	-	1	1
Ethernet			-								10M	

Differences \ Part No.	CH32V203								
	F6	F8	G6	G8	K6	K8	C6	C8	RB
CPU clock speed	Max: 144MHz								
Rated voltage	3.3V								
Operating temperature	Industrial-grade: -40°C~85°C								
Package	TSSOP20, QFN20	TSSOP20 0	QFN20	QFN28	QSOP28	LQFP32	LQFP48	LQFP QFN48	LQFP64M

Differences \ Part No.	CH32V203									
	F6	F8	G6	G8	K8	C6	C8	RB		
Pin count	20	20	28	28	32	48	48	64		
Flash (bytes) ⁽¹⁾	32K	64K	32K	64K	64K	32K	64K	128K ⁽²⁾		
SRAM (bytes)	10K	20K	10K	20K	20K	10K	20K	64K		
GPIO port count	16	17	24	24	26	37	37	51		
Timer	Advanced-control (16-bit)	1 ⁽³⁾	1 ⁽³⁾	1 ⁽³⁾	1 ⁽³⁾	1	1	1	1	
	General-purpose (16-bit)	3 ⁽³⁾	3 ⁽³⁾	3	3	3	3	3	3	
	General-purpose (32-bit)	-							1	
	Watchdog	2 (WWDG + IWDG)								
	SysTick (64-bit)	Supported								
RTC	Supported									
ADC/TKey (channel@unit count)	9@2	9@2	10@2	10@2	10@2	10@2	10@2	16@1		
OPA	1	2	2	2	2	2	2	2		
Communication interface	USART/UART	1	2	2	2	2	2	4	4	
	SPI	1	1	1	1	1	1	2	2	
	I2C	-	1	-	1	1	1	1	2	2
	CAN	1	-	1	1	1	1	1	1	1
	USB (FS)	USB D	1	-	1	1	1	1	1	1
		USB H	-	1	-	-	1	-	1	1
Ethernet	-							10M		
CPU clock speed	Max: 144MHz									
Rated voltage	3.3V									
Operating temperature	Industrial-grade: -40°C~85°C									
Package	TSSOP20	TSSO P20	QFN2 0	QFN2 8	QSOP 28	LQFP32	LQFP48, QFN48X7	LQFP64M		

Note: 1. Flash bytes represent zero-wait run area R_{0WAIT} . For the V203 series, non-zero-wait area is (224K- R_{0WAIT}).

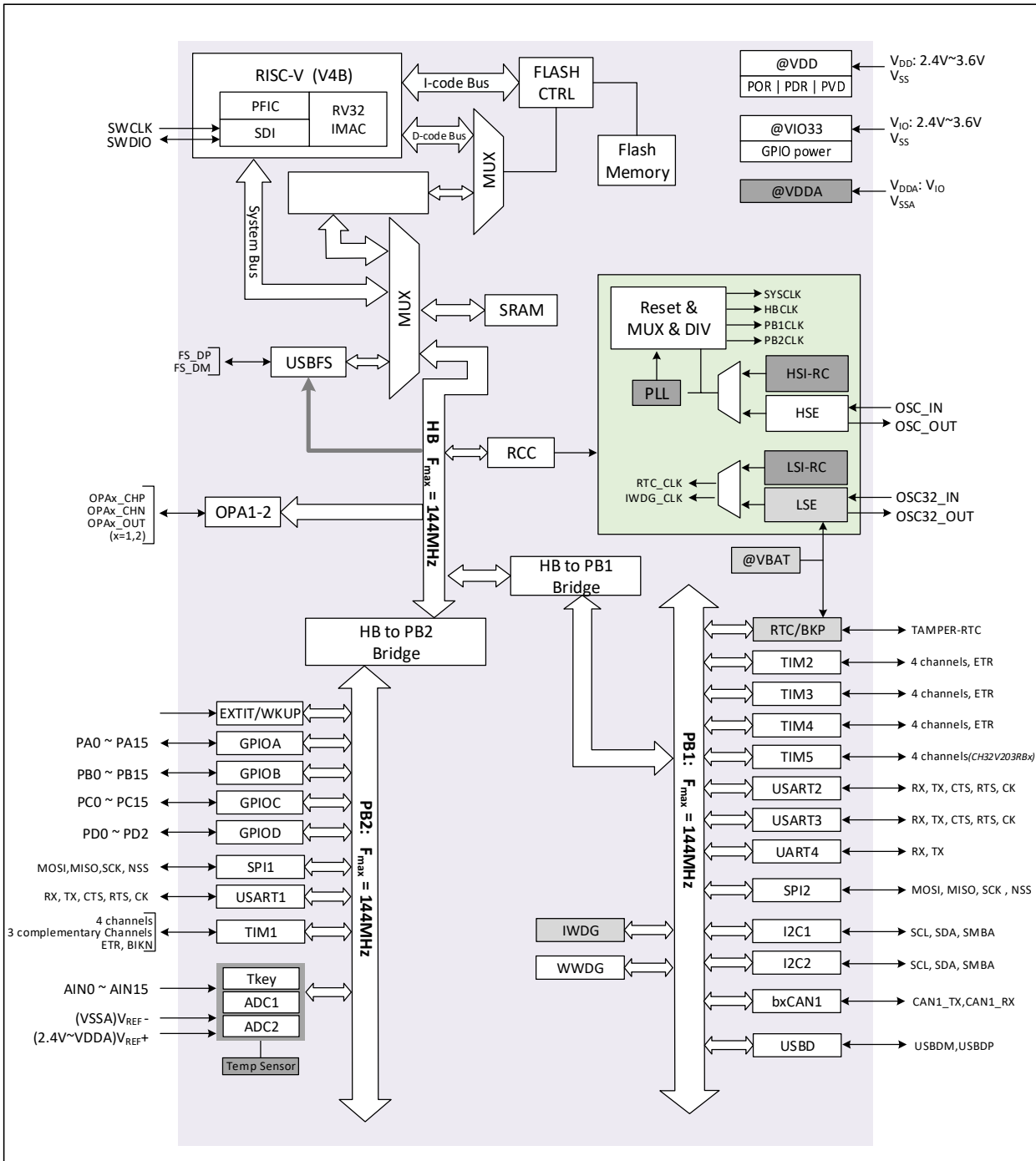
2. *128K FLASH+64K SRAM products support user-selected word configuration as one of several combinations (128K FLASH+64K SRAM), (144K FLASH+48K SRAM), (160K FLASH+32K SRAM).*

3. *Timer PWM, capture and other functions involving pin signals need to be combined with the actual chip package pins, some package chips do not lead to such functions cannot be used.*

2.2 System Architecture

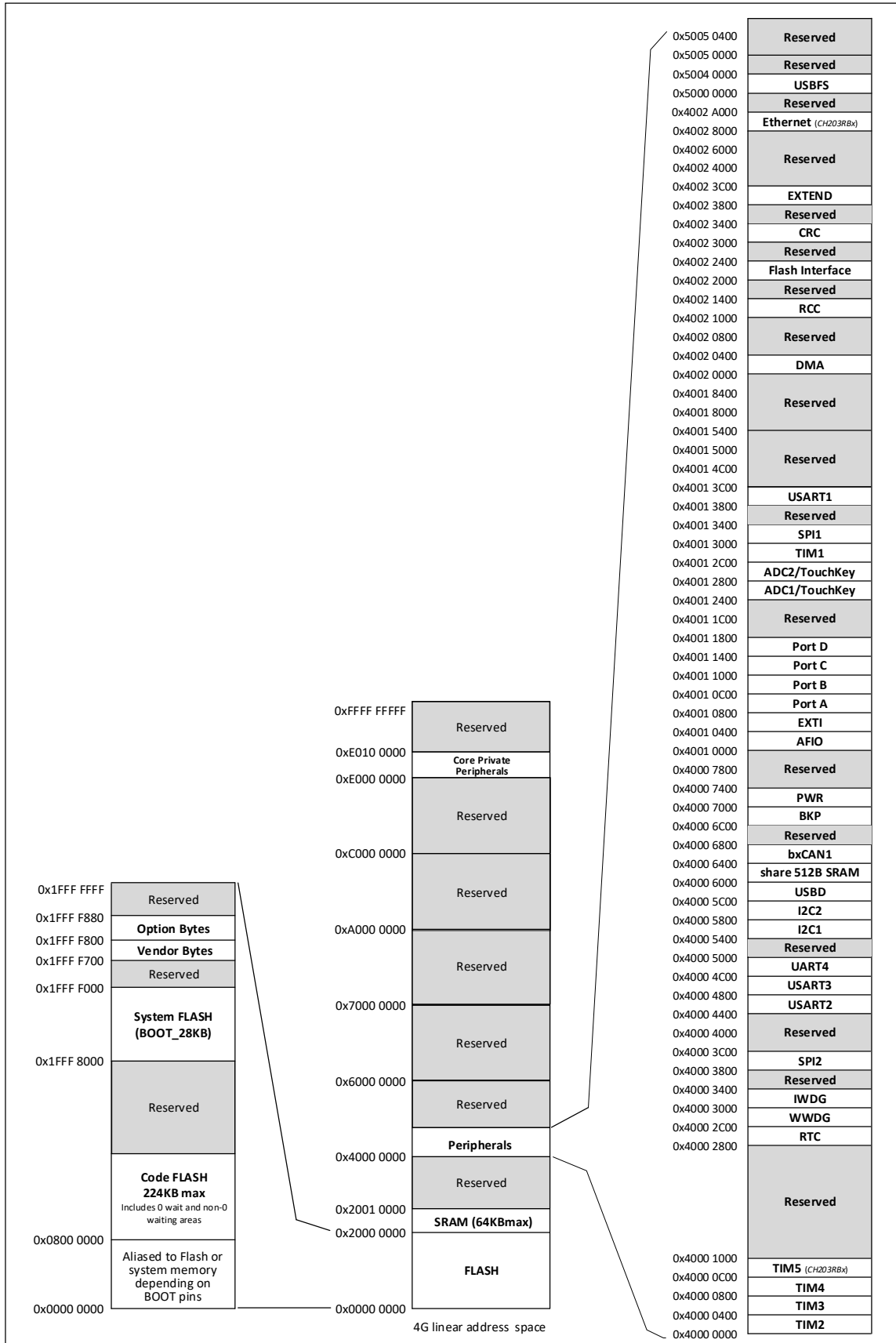
The microcontroller is based on the RISC-V instruction set architecture (ISA) in which the core, arbitration unit, DMA module, SRAM storage and other parts are interacted through multiple sets of buses. A general-purpose DMA controller is integrated in the chip to reduce the burden on the CPU and improve access efficiency. The application of a multi-level clock management mechanism reduces the operating power consumption of peripherals. At the same time, it has a data protection mechanism and measures such as automatic clock switching protection to increase system stability. The following figure is a block diagram of the overall internal structure of the series of products.

Figure 2-1 System block diagram



2.3 Memory Map

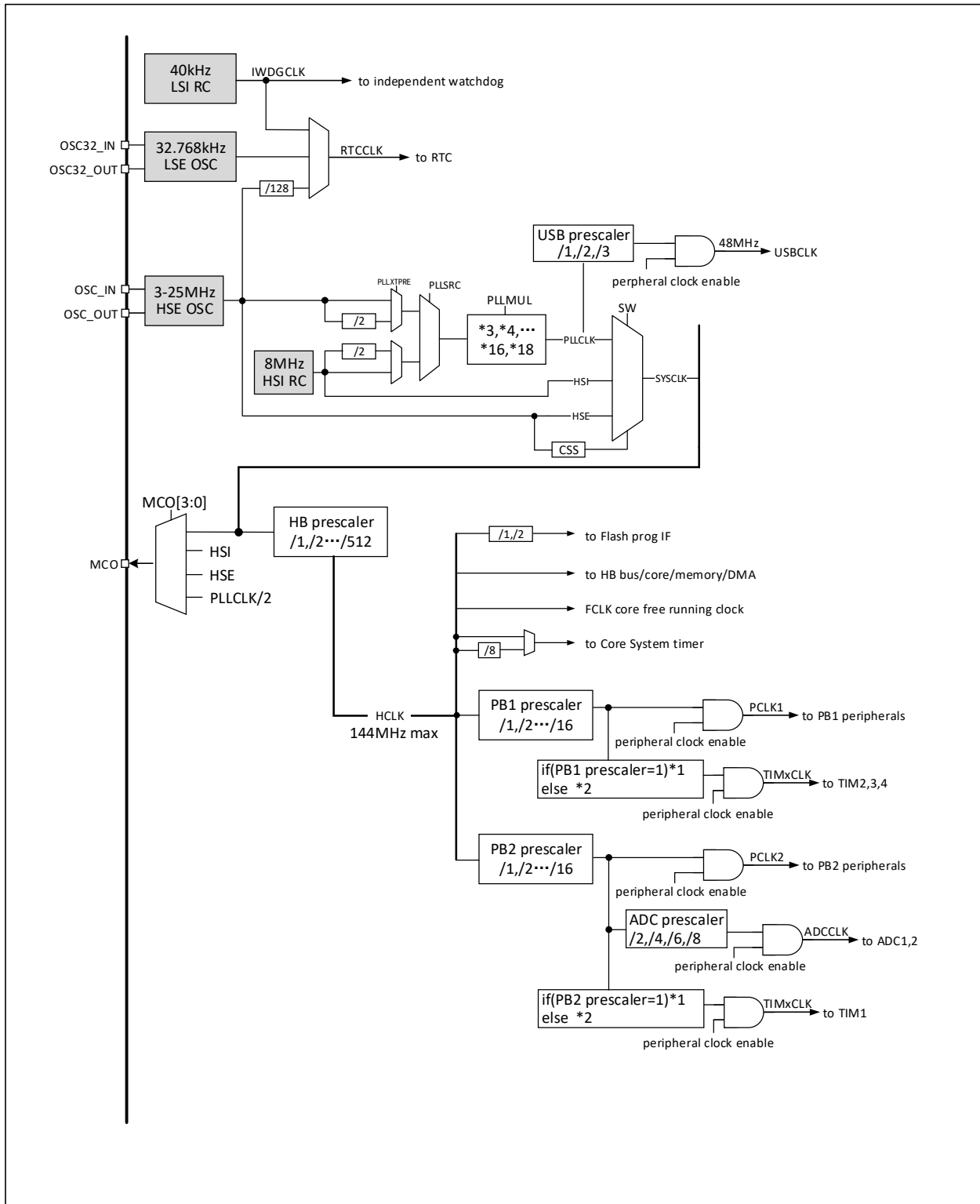
Figure 2-2 Memory address map



2.4 Clock Tree

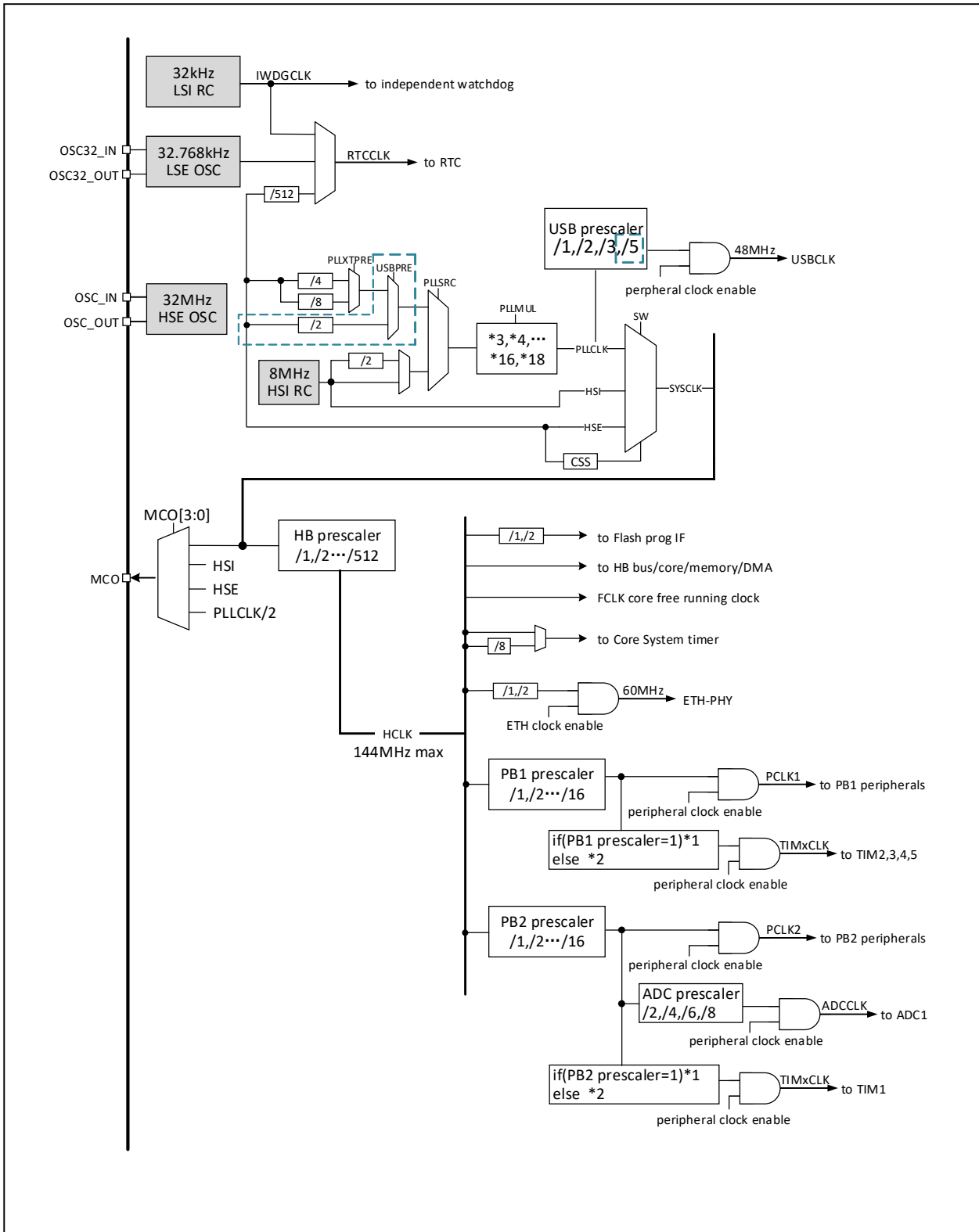
Four groups of clock sources are introduced into the system: internal high-frequency RC oscillator (HSI), internal low-frequency RC oscillator (LSI), external high-frequency oscillator (HSE), and external low-frequency oscillator (LSE). Among them, the low-frequency clock source provides the clock reference for RTC and independent watchdog. The high-frequency clock source is directly or indirectly multiplied by the PLL and output as the system clock (SYSCLK). The system clock is then provided by each prescaler to provide the HB domain, PB1 domain, PB2 domain peripheral control clock and sampling or output clock. Some modules need to be directly provided by the PLL clock.

Figure 2-3 CH32V203 clock tree block diagram



Note: 1. When using the USB function, the CPU frequency must be 48MHz or 96MHz or 144MHz. when the system wakes up from downtime or standby, the system will automatically switch to HSI as the main frequency.

Figure 2-4 CH32V203RB clock tree block diagram



Note: 1. For CH32V203RB, the external crystal or clock (HSE) is 32M. When the external crystal is enabled, no load capacitor is required as it is built in.

2. The blue dotted line in Figure 2-4 above applies only to CH32V203RB chips with a lot number whose penultimate fifth digit is greater than zero.

2.5 Functional Description

2.5.1 RISC-V4B Processor

RISC-V4B supports the IMAC subset of the RISC-V instruction set. The processor is managed internally in a modular fashion and contains units such as fast programmable interrupt controller (PFIC), memory protection, branch prediction mode, and extended instruction support. Externally multiple buses are connected to external unit modules to enable interaction between external function modules and the core.

The processor can be flexibly applied in different scenarios, such as small-area low-power embedded scenarios, high-performance application operating system scenarios, etc., due to its minimal instruction set, multiple working modes, and modular customization extensions.

- Support machine and user privilege mode
- Fast Programmable Interrupt Controller (FPIC)
- Multi-level hardware interrupt stack
- Serial 2-wire debug interface
- Standard memory protection design
- Static or dynamic branch prediction, efficient jump, conflict detection
- Custom extended instructions

2.5.2 On-chip Memory and Boot Mode

Up to 128K bytes of built-in SRAM area, used to store data, data will be lost after power failure. The specific capacity depends on the corresponding chip model.

Up to 480K bytes of built-in program Flash memory (Code FLASH), used for user application and constant data storage, including zero-wait program run area and non-zero-wait area. The specific size depends on the corresponding chip model.

Built-in 28K byte system memory (System FLASH), used for system boot program storage (manufacturer curing boot loader).

128 bytes are used for system non-volatile configuration word storage, and 128 bytes are used for user selection word storage.

At startup, one of 3 boot modes can be selected through the boot pins (BOOT0 and BOOT1):

- Boot from program flash
- Boot from system memory
- Boot from internal SRAM

The bootloader is stored in the system memory, and the contents of the program Flash memory storage can be reprogrammed through the USART1 and USB interface.

2.5.3 Power Supply Scheme

- $V_{DD} = 2.4\sim 3.6V$: Power supply for some I/O pins and internal voltage regulator.
- $V_{IO} = 2.4\sim 3.6V$: It supplies power to most of the I/O pins and the Ethernet module, which determines the pin output high voltage amplitude. Normal work during operation, the V_{IO} voltage cannot be higher than the V_{DD} voltage.
- $V_{DDA} = 2.4\sim 3.6V$: It supplies power to the analog part of the high-frequency RC oscillator, ADC, temperature sensor, DAC and PLL. The V_{DDA} voltage must be the same as the V_{IO} voltage (If V_{DD} is

powered down and $V_{I/O}$ is live, Then V_{DDA} must be live and consistent with $V_{I/O}$. When using ADC, V_{DDA} must not be less than 2.4V.

- $V_{BAT} = 1.8\sim 3.6V$: Optional backup power supply. When V_{DD} is turned off, (through the internal power switch) independently powers the RTC, external low-frequency oscillator and backup registers.

2.5.4 Power Supply Monitor

This product integrates a power-on reset (POR)/power-down reset (PDR) circuit, which is always in working condition to ensure that the system is in supply. It works when the power exceeds 2.4V; when V_{DD} is lower than the set threshold ($V_{POR/PDR}$), the device is placed in the reset state without using an external reset circuit.

In addition, the system is equipped with a programmable voltage monitor (PVD), which needs to be turned on by software to compare the voltage of V_{DD} power supply with the set threshold V_{PVD} .

Turn on the corresponding edge interrupt of PVD, and you can receive interrupt notification when V_{DD} drops to the PVD threshold or rises to the PVD threshold. Refer to Chapter 4 for the values of $V_{POR/PDR}$ and V_{PVD} .

2.5.5 Voltage Regulator

After reset, the regulator is automatically turned on, and there are 3 operation modes according to the application mode.

- ON mode: normal operation, providing stable core power.
- Low-power mode: When the CPU enters Stop mode, the regulator can be selected to run with low- power consumption.
- OFF mode: When the CPU enters Standby mode, it automatically switches the regulator to this mode, the voltage regulator output is in high impedance, and the core power.

The voltage regulator is always ON after reset. It is OFF in Standby mode, and the regulator output is in high impedance.

2.5.6 Low-power Mode

The system supports 3 low-power modes, which can be selected for low-power consumption, short start-up time and multiple wake-up events to achieve the best balance.

- Sleep mode

In Sleep mode, only the CPU clock is stopped, but all peripheral clocks are powered normally and the peripherals are in a working state. This mode is the shallowest low-power mode, but it is the fastest mode to wake-up the system.

Exit condition: any interrupt or wake-up event.

- Stop mode

In this mode, the FLASH enters low-power mode, and the PLL, HSI RC oscillator and HSE crystal oscillator are turned off. In the case of keeping the contents of SRAM and registers not lost, the Stop mode can achieve the lowest power consumption.

Exit conditions: any external interrupt/event (EXTI signal), external reset signal on NRST, IWDG reset, among which EXTI signal includes one of 16 external I/O ports, PVD output, RTC alarm clock, Ethernet wake-up signal or USB wake-up signal.

- Standby mode

In this mode, the main LDO of the system is turned off, the low-power LDO supplies power to the wake-up

circuit, all other digital circuits are powered off, and the FLASH is powered off. The system wakes up from Standby mode will generate a reset, and SBF (PWR_CSR) will be set at the same time. After waking up, check the SBF status to know the low-power mode before waking up. SBF is cleared by the CSBF (PWR_CR) bit. In the Standby mode, the contents of 32KB of SRAM can be kept (depending on the planning and configuration before going to bed), and the contents of the backup registers are kept.

Exit conditions: any external interrupt/event (EXTI signal), external reset signal on NRST, IWDG reset, a rising edge on the WKUP pin, where EXTI signal includes one of 16 external I/O ports, RTC alarm clock, Ethernet Wake-up signal, USB.

2.5.7 CRC (cyclic redundancy check) Calculation Unit

The CRC (cyclic redundancy check) calculation unit uses a fixed polynomial generator to generate a CRC code from a 32-bit data word. In many applications, CRC-based technology is used to verify the consistency of data transmission or storage. Within the scope of the EN/IEC 60335-1 standard, a means of detecting flash errors is provided. The CRC calculation unit can be used to calculate the signature of the software in real time and compare it with the signature generated when the software is linked and generated.

2.5.8 Programmable Fast Interrupt controller (PFIC)

The product has a built-in Programmable Fast Interrupt Controller (PFIC), which supports up to 255 interrupt vectors, and provides flexible interrupt management functions with minimal interrupt latency. The current product manages 8 core private interrupts and 88 peripheral interrupt management, and other interrupt sources are reserved. FPIC registers can be accessed in user and machine privileged modes.

- 2 individual maskable interrupts
- A non-maskable interrupt NMI
- Support hardware interrupt stack (HPE) without instruction overhead
- 4-channel vector table free interrupts (VTF)
- Vector table supports address or command mode
- Configurable interrupt nesting depth, up to 2 levels
- Support interrupt tail-chaining

2.5.9 External Interrupt/Event Controller (EXTI)

The external interrupt/event controller contains a total of 19 edge detectors for generating interrupt/event requests. Each interrupt line can independently configure its trigger event (rising edge or falling edge or both edges), and can be individually masked; the suspend register maintains all interrupt request states. EXTI can detect that the pulse width is smaller than the clock period of the internal PB2. Up to 37 general-purpose I/O ports can be connected to 16 external interrupt lines.

2.5.10 General DMA Controller

The system has built-in 2 groups of general-purpose DMA controllers, manages 18 channels in total, and flexibly handles high-speed data transmission from memory to memory, peripherals to memory, and memory to peripherals, and supports ring buffer mode. Each channel has a dedicated hardware DMA request logic to support one or more peripherals' access requests to the memory. The access priority, transfer length, source address and destination address of the transfer can be configured.

The main peripherals used by DMA include: general/advanced TIMx, ADC, USART, I²C and SPI.

Note: DMA and CPU access the system SRAM after arbitration by the arbiter.

2.5.11 Clock and Boot

The system clock source HSI is turned on by default. After the clock is not configured or reset, the internal 8MHz RC oscillator is used as the default CPU clock, and then an external 3~25MHz clock or PLL clock can be additionally selected. When the clock security mode is turned on, if the HSE is used as the system clock (directly or indirectly), the system clock will automatically switch to the internal RC oscillator when the external clock is detected to be invalid, and the HSE and PLL will be automatically turned off at the same time; in low-power consumption mode, the system will automatically switch to the internal RC oscillator after waking up. If the clock interrupt is enabled, the software can receive the corresponding interrupt.

Multiple prescalers are used to configure the frequency of HB. The high-speed PB (PB2) and low-speed PB (PB1) regions provide peripheral clocks with a maximum frequency of 144MHz. Refer to the clock tree block diagram in Figure 2-3.

2.5.12 Real Time Clock (RTC) and Backup Registers

The RTC and the backup register are in the backup power supply area inside the system. When V_{DD} is valid, it is powered by V_{DD} , and when V_{DD} is invalid, the internal power is automatically switched to the V_{BAT} pin.

RTC is a set of 32-bit programmable counters, and its time base supports 20-bit prescaler, which is used for long-time measurement. The clock reference comes from high-speed external clock (HSE) frequency division (please refer to the description of RTCSEL[1:0] in RCC_BDCTLR register in Chapter 3.4.9 of CH32FV2x_V3xRM manual for the frequency division coefficient of corresponding chips), external crystal low-frequency oscillator (LSE) or internal low-power RC oscillator (LSI). The LSE also has a backup power supply area, so when the LSE is selected as the RTC time base, the setting and time of RTC can remain unchanged after the system is reset or awakened from standby mode.

The backup register contains up to 42 16-bit registers, which can be used to store 84 bytes of user application data. This data can continue to be maintained after wake-up from Standby, or system Reset or power Reset. When the intrusion detection function is turned on, once the intrusion detection signal is valid, all contents in the backup register will be cleared.

2.5.13 Analog-to-digital Converter (ADC) and Touch-key Capacitance Detection (TKey)

The product is embedded with 2 12-bit analog/digital converters (ADC), sharing up to 16 external channels and 2 internal channels for sampling. The programmable channel sampling time can realize single, continuous, scanning or discontinuous conversion. And supports dual ADC conversion mode. The analog watchdog function is provided to allow very precise monitoring of one or more selected channels for monitoring the signal voltage of the channel. It supports external event-triggered conversion, the trigger source includes the internal signal and external pin of the on-chip timer; it also supports the use of DMA operations.

ADC internal channel sampling includes 1 channel of built-in temperature sensor sampling and 1 channel of internal reference power sampling. The temperature sensor generates a voltage that varies linearly with temperature. The temperature sensor is internally connected to the IN16 input channel, which is used to convert the output of the sensor to a digital value.

The capacitance touch key detection unit provides up to 16 detection channels, multiplexing the external channels of the ADC module. The detection result is converted and output by the ADC module, and the state of the touch key is recognized by the user software.

2.5.14 Timer and Watchdog

The timers in the system include advanced timers, general timers, basic timers, watchdog timers, and system time base timers. The number of timers included in different products in the series is different, please refer to Table 2-2 for details.

Table 2-2 Timer comparison

Timer		Resolution	Count Type	Time Base	DMA	Function
Advanced-control timer	TIM1	16 bits	Up Down Up/down	PB2 time domain 16-bit divider	Supported	PWM complementary output, single pulse output Input capture Output compare Timer count
General-purpose timer	TIM2	16 bits	Up Down Up/down	PB1 time domain 16-bit divider	Supported	Input capture Output compare Timer count
	TIM3					
	TIM4					
	TIM5 ⁽¹⁾	32 bits				
Window watchdog		7 bits	Down	PB1 time domain 4 types of frequency division	Not supported	Timing Reset the system (normal work)
Independent watchdog		12 bits	Down	PB1 time domain 7 types of frequency division	Not supported	Timing Reset the system (normal work + low-power work)
SysTick Timer		64 bits	Up/down	SYSCLK or SYSCLK/8	Not supported	Timing

Note 1: Applicable to CH32V203RBx.

- Advanced control timer

The advanced control timer is a 16-bit auto-loading up/down counter with a 16-bit programmable prescaler. In addition to the complete general-purpose timer function, it can be regarded as a three-phase PWM generator distributed to 6 channels, with a complementary PWM output function with dead zone insertion, allowing the timer to be updated after a specified number of counter cycles to repeat counting cycle, braking function, etc. Many functions of the advanced control timer are the same as the general timer, and the internal structure is also the same. Therefore, the advanced control timer can cooperate with other TIM timers through the timer link function to provide synchronization or event link functions.

- General-purpose timer

The general timer is a 16-bit or 32-bit auto-loading up/down counter with a programmable 16-bit prescaler and 4 independent channels. Each channel supports input capture, output comparison, and PWM generation and single pulse mode output. It can also work with advanced control timers through the timer link function to

provide synchronization or event link functions. In Debug mode, the counter can be frozen while the PWM outputs are disabled, thereby cutting off the switches controlled by these outputs. Any general-purpose timer can be used to generate PWM output. Each timer has an independent DMA request mechanism. These timers can also process signals from incremental encoders, as well as digital outputs from 1 to 3 Hall sensors.

- Independent watchdog

The independent watchdog is a configurable 12-bit down counter that supports 7 frequency division factors. The clock is provided by an internal independent 40 KHz RC oscillator (LSI); because the LSI is independent of the main clock, it can run in Stop and Standby modes. IWDG is outside the main program and can work completely independently. Therefore, it is used to reset the entire system when a problem occurs, or as a free timer to provide timeout management for the application. It can be configured as software or hardware to start the watchdog through the option byte. In Debug mode, the counter can be frozen.

- Window Watchdog

The window watchdog is a 7-bit down counter and can be set to free-running. It can be used to reset the entire system when a problem occurs. It is driven by the main clock and has an early warning interrupt function; in Debug mode, the counter can be frozen.

- SysTick Timer

QingKe microprocessor core comes with a 64-bit optional incremental or decremental counter for generating SYSTICK exceptions (exception number: 15), which can be used exclusively in real-time operating systems to provide a "heartbeat" rhythm for the system, or as a standard 64-bit counter. With automatic reload function and programmable clock source.

2.5.15 Universal Synchronous/Asynchronous Receiver Transmitter (USART)

The product provides 4 sets of Universal Synchronous/Asynchronous Transceivers. Full duplex asynchronous communication, synchronous unidirectional communication, and half duplex single line communication are supported, as well as LIN (Local Interconnect Network), ISO7816 compatible smart card protocol and IrDA SIR ENDEC transmission codec specification, and modem (CTS/RTS hardware flow control) operation. It also allows multi-processor communication. It uses a fractional baud rate generator system and supports DMA operation for continuous communication.

2.5.16 Serial Peripheral Interface (SPI)

Up to 2 groups of serial peripherals interface (SPI) provide master or slave operation, dynamic switching. Support multi-master mode, full-duplex or half-duplex synchronous transmission, support basic SD card and MMC mode. Programmable clock polarity and phase, data bit width provides 8 or 16-bit selection, hardware CRC generation/check for reliable communication, and continuous communication support for DMA operation.

2.5.17 I2C Bus

Up to 2 I2C bus interfaces can work in multi-master mode or Slave mode, perform all I2C Bus specific timing, protocol, arbitration, etc. It supports both standard and fast speed, and is compatible with SMBus2.0.

The I2C interface provides 7-bit or 10-bit addressing, and supports dual slave addressing in 7-bit Slave mode. It integrates built-in hardware CRC generator/checker. It also supports DMA operation and supports SMBus bus version 2.0 / PMBus bus.

2.5.18 Controller Area Network (CAN)

The CAN interface is compatible with specifications 2.0A and 2.0B (active), the baud rate is up to 1Mbits/s, and it supports time-triggered communication functions. It can receive and send standard frames with 11-bit identifiers, as well as extended frames with 29-bit identifiers. It has 3 sending mailboxes and 2 3-level deep receiving FIFOs.

With 1 set of CAN controller products, there are only 14 configurable filters, and share a dedicated 512-byte SRAM memory with the USB module for data transmission and reception. When USB and CAN are used at the same time, in order to prevent access to SRAM conflicts, USB can only use the lower 384 bytes.

2.5.19 Universal Serial Bus Device (USB)

The product is embedded with a USB2.0 full-speed controller, which complies with the USB2.0 full-speed standard. USB provides 16 configurable USB device endpoints, supports low-speed devices and full-speed devices, supports control/batch/synchronization/interrupt transmission, double buffer mechanism, USB suspend/resume operations, and has standby/wake-up functions. The USB dedicated 48MHz clock is directly generated by the internal main PLL frequency division.

2.5.20 Universal Serial Bus USB2.0 Full-speed Host/Device Controller (USBFS)

The USB2.0 full-speed host controller and device controller (USBFS) follow the USB2.0 full-speed standard. It provides 16 configurable USB device endpoints and a set of host endpoints. Support control/batch/synchronization/interrupt transmission, double buffer mechanism, USB bus suspend/resume operation, and provide standby/wake-up functions. The 48MHz clock dedicated to the USBFS module is directly generated by the internal main PLL frequency division (the PLL must be 144MHz or 96MHz or 48MHz).

2.5.21 General-purpose Input and Output (GPIO)

The system provides 4 groups of GPIO ports with a total of 37 GPIO pins. Each pin can be configured by software as output (push-pull or open-drain), input (with or without pull-up or pull-down) or multiplexed peripheral function port. Most GPIO pins are shared with digital or analog multiplexed peripherals. Except for ports with analog input functions, all GPIO pins have high current passing capabilities. A locking mechanism is provided to freeze the IO configuration to avoid accidental writing to the I/O register.

Most of the I/O pins in the system are provided by V_{IO} . Changing the V_{IO} power supply will change the high value of the I/O pin output level to adapt to the external communication interface level. Please refer to the pin description for specific pins.

2.5.22 Operational Amplifier/Comparator (OPA)

The product has built-in 2 groups of operational amplifiers/comparators, and the internal selection is linked to the ADC and TIMx peripherals. Its input and output can be selected by changing the configuration to select multiple channels. It supports to amplify the external analog small signal and send it to the ADC to realize the small signal ADC conversion. It can also complete the signal comparator function. The comparison result is output by GPIO or directly connected to the input channel of TIMx.

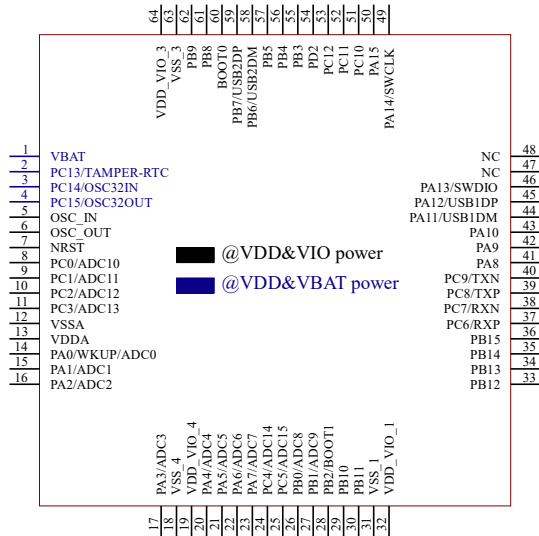
2.5.23 2-wire SDI Serial Debug Interface

The core comes with a serial 2-wire serial debug interface (SDI), including SWDIO and SWCLK pins. The default debug interface pin function is turned on after system power on or reset, and SDI can be turned off as needed after the main program is running.

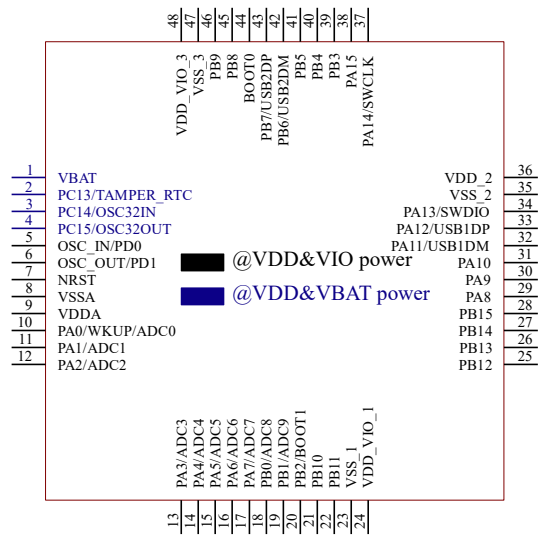
Chapter 3 Pinouts and Pin Definition

3.1 Pinout

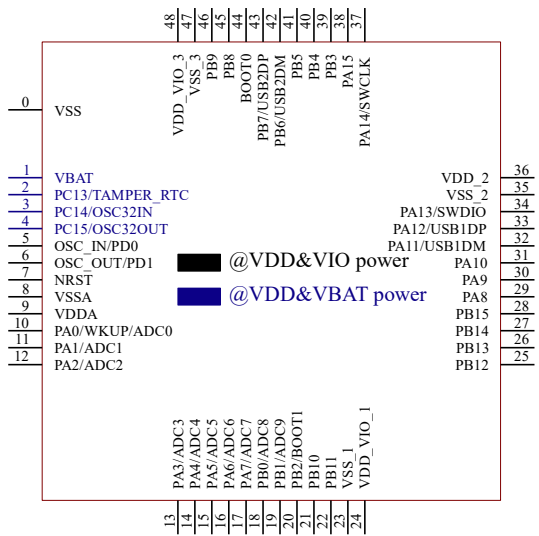
CH32V203RBT6



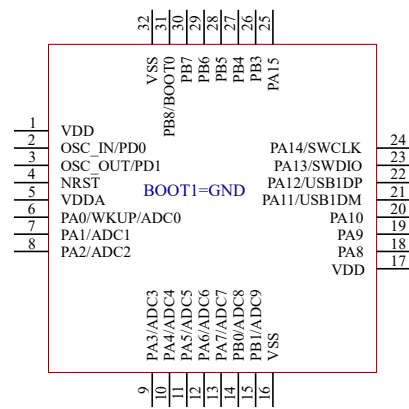
CH32V203CxT6



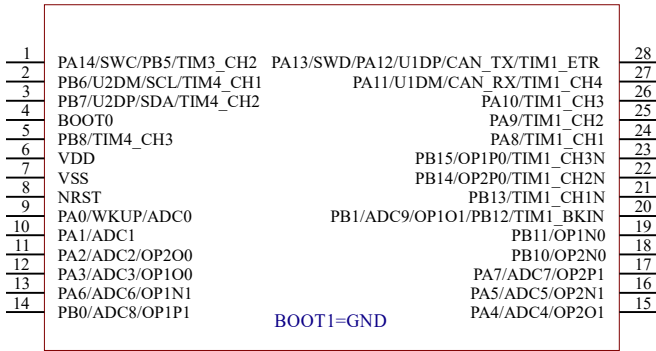
CH32V203CxU6



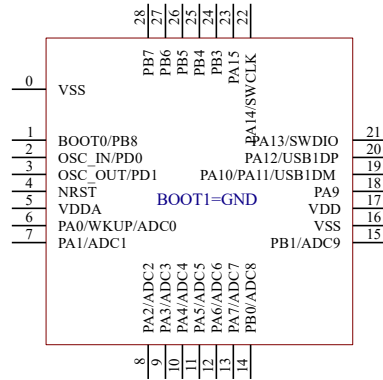
CH32V203K8T6



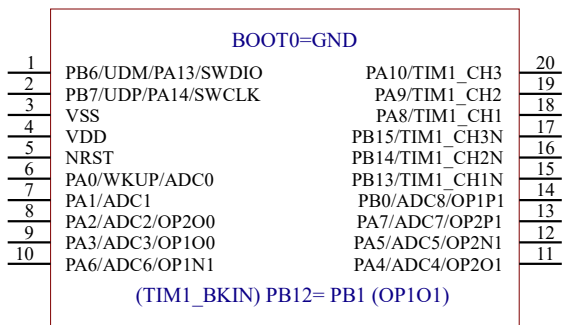
CH32V203G8R6



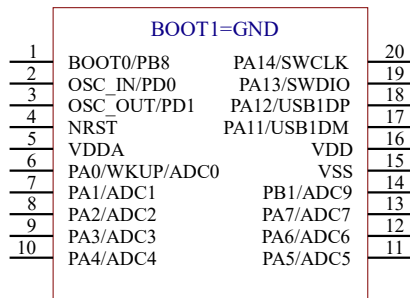
CH32V203G6U6



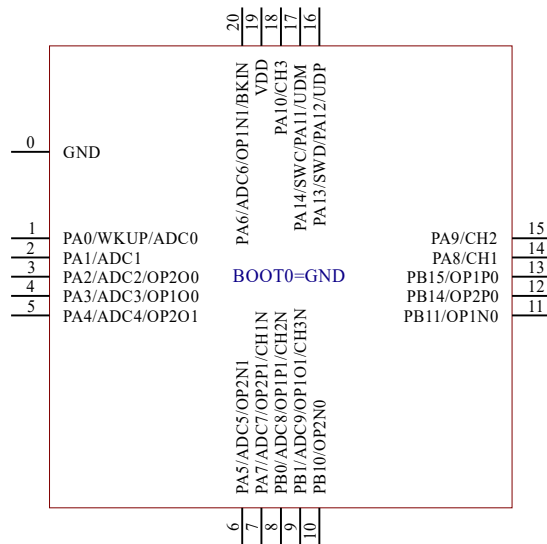
CH32V203F8P6



CH32V203F6P6



CH32V203F8U6



3.2 Pin Definitions

Table 3-1 Pin definitions

Note: The pin function in the table below refer to all functions and do not involve specific model(s). There are differences in peripheral resources between different models. Please confirm whether this function is available according to the particular model's resource table before viewing this table.

Table 3-1-1 QFN20/LQFP32/LQFP48/QFN48X7 pin definitions

Pin No.			Pin name	Pin type (1)	I/O structure	Main function (after reset)	Default alternate function	Remapping function(8)
QFN20	LQFP32	LQFP48 QFN48X7						
-	-	0	V _{SS}	P	-	V _{SS}		
-	-	1	V _{BAT}	P	-	V _{BAT}		
-	-	2	PC13- TAMPER- RTC(2)	I/O	-	PC13(3)	TAMPER-RTC	
-	-	3	PC14- OSC32_IN(2)	I/O/A	-	PC14(3)	OSC32_IN	
-	-	4	PC15- OSC32_OUT(2)	I/O/A	-	PC15(3)	OSC32_OUT	
-	2	5	OSC_IN	I/A	-	OSC_IN		PD0(4)
-	3	6	OSC_OUT	O/A	-	OSC_OUT		PD1(4)
-	4	7	NRST	I	-	NRST		
-	-	8	V _{SSA}	P	-	V _{SSA}		
-	5	9	V _{DDA}	P	-	V _{DDA}		
1	6	10	PA0-WKUP	I/O/A	-	PA0	WKUP USART2_CTS ADC_IN0 TIM2_CH1(9) TIM2_ETR(9)	TIM2_CH1_2(9) TIM2_ETR_2(9)
2	7	11	PA1	I/O/A	-	PA1	USART2_RTS ADC_IN1 TIM2_CH2	TIM2_CH2_2
3	8	12	PA2	I/O/A	-	PA2	USART2_TX ADC_IN2 TIM2_CH3 OPA2_OUT0	TIM2_CH3_1
4	9	13	PA3	I/O/A	-	PA3	USART2_RX ADC_IN3 TIM2_CH4 OPA1_OUT0	TIM2_CH4_1
5	10	14	PA4	I/O/A	-	PA4	SPI1_NSS USART2_CK	

Pin No.				Pin name	Pin type (1)	I/O structure	Main function (after reset)	Default alternate function	Remapping function(8)
QFN20	LQFP32	LQFP48	QFN48X7						
								ADC_IN4 OPA2_OUT1	
6	11	15	PA5	I/O/A	-	PA5	SPI1_SCK ADC_IN5 OPA2_CH1N	USART4_TX_1	
20	12	16	PA6	I/O/A	-	PA6	SPI1_MISO ADC_IN6 TIM3_CH1 OPA1_CH1N	TIM1_BKIN_1 USART4_CK_1	
7	13	17	PA7	I/O/A	-	PA7	SPI1_MOSI ADC_IN7 TIM3_CH2 OPA2_CH1P	TIM1_CH1N_1 USART4_CTS_1	
8	14	18	PB0	I/O/A	-	PB0	ADC_IN8 TIM3_CH3 OPA1_CH1P USART4_TX	TIM1_CH2N_1 TIM3_CH3_2	
9	15	19	PB1	I/O/A	-	PB1	ADC_IN9 TIM3_CH4 OPA1_OUT1 USART4_RX	TIM1_CH3N_1 TIM3_CH4_2	
-	-	20	PB2 ⁽⁵⁾	I/O	FT	PB2 BOOT1 ⁽⁵⁾	USART4_CK		
10	-	21	PB10	I/O/A	FT	PB10	I2C2_SCL USART3_TX OPA2_CH0N	TIM2_CH3_2 TIM2_CH3_3	
11	-	22	PB11	I/O/A	FT	PB11	I2C2_SDA USART3_RX OPA1_CH0N	TIM2_CH4_2 TIM2_CH4_3	
-	-	23	V _{SS_1}	P	-	V _{SS_1}			
-	16		V _{SS}	P	-	V _{SS}			
-	-	24	V _{DD_IO_1}	P	-	V _{DD_IO_1}			
-	17		V _{DD_}	P	-	V _{DD_}			
-	-	25	PB12	I/O/A	FT	PB12	SPI2_NSS I2C2_SMBA USART3_CK TIM1_BKIN		
-	-	26	PB13	I/O/A	FT	PB13	SPI2_SCK USART3_CTS TIM1_CH1N		

Pin No.			Pin name	Pin type (1)	I/O structure	Main function (after reset)	Default alternate function	Remapping function ⁽⁸⁾
QFN20	LQFP32	LQFP48 QFN48X7						
12	-	27	PB14	I/O/A	FT	PB14	SPI2_MISO TIM1_CH2N USART3_RTS OPA2_CH0P	
13	-	28	PB15	I/O/A	FT	PB15	SPI2_MOSI TIM1_CH3N OPA1_CH0P	
14	18	29	PA8	I/O	FT	PA8	USART1_CK TIM1_CH1 MCO	USART1_CK_1 TIM1_CH1_1
15	19	30	PA9	I/O	FT	PA9	USART1_TX TIM1_CH2	TIM1_CH2_1
18	20	31	PA10	I/O	FT	PA10	USART1_RX TIM1_CH3	TIM1_CH3_1
17	21	32	PA11	I/O/A	FT	PA11	USART1_CTS USBDM CAN1_RX TIM1_CH4	USART1_CTS_1 TIM1_CH4_1
16	22	33	PA12	I/O/A	FT	PA12	USART1_RTS USBDP CAN1_TX TIM1_ETR	USART1_RTS_1 TIM1_ETR_1
	23	34	PA13	I/O	FT	SWDIO		PA13
-	-	35	V _{SS_2}	P	-	V _{SS_2}		
-	-	36	V _{DD_2}	P	-	V _{DD_2}		
17	24	37	PA14	I/O	FT	SWCLK		PA14
-	25	38	PA15	I/O	FT	PA15		TIM2_CH1_1 ⁽⁹⁾ TIM2_ETR_1 ⁽⁹⁾ TIM2_CH1_3 ⁽⁹⁾ TIM2_ETR_3 ⁽⁹⁾ SPI1_NSS_1 USART4_RTS_1
-	26	39	PB3	I/O	FT	PB3	USART4_CTS	TIM2_CH2_1 TIM2_CH2_3 SPI1_SCK_1
-	27	40	PB4	I/O	FT	PB4	USART4_RTS	TIM3_CH1_2 SPI1_MISO

Pin No.			Pin name	Pin type (1)	I/O structure	Main function (after reset)	Default alternate function	Remapping function ⁽⁸⁾
QFN20	LQFP32	LQFP48 QFN48X7						
-	28	41	PB5	I/O	FT	PB5	I2C1_SMBA	TIM3_CH2_2 SPI1_MOSI_1 USART4_RX_1
-	29	42	PB6	I/O	FT	PB6	I2C1_SCL TIM4_CH1 USBFS_DM	USART1_TX_1
-	30	43	PB7	I/O	FT	PB7	I2C1_SDA TIM4_CH2 USBFS_DP	USART1_RX_1
-	31	44	BOOT0	I	-	BOOT0		
-		45	PB8	I/O/A	FT	PB8	TIM4_CH3	I2C1_SCL_1 CAN1_RX_2
-	-	46	PB9	I/O/A	FT	PB9	TIM4_CH4	I2C1_SDA_1 CAN1_TX_2
-	-	47	V _{SS_3}	P	-	V _{SS_3}		
-	32	-	V _{SS}	P	-	V _{SS}		
-	-	48	V _{DD_IO_3}	P	-	V _{DD_IO_3}		
19	1	-	V _{DD}	P	-	V _{DD}		

Table 3-1-2 TSSOP20(F8)/QSOP28(G8) pin definitions

Pin No.		Pin name	Pin type (1)	I/O structure	Main function (after reset)	Default alternate function	Remapping function ⁽⁸⁾
(F8)	(G8)						
TSSOP20	QSOP28						
5	8	NRST	I	-	NRST		
6	9	PA0-WKUP	I/O/A	-	PA0	WKUP USART2_CTS ADC_IN0 TIM2_CH1 ⁽⁹⁾ TIM2_ETR ⁽⁹⁾	TIM2_CH1_2 ⁽⁹⁾ TIM2_ETR_2 ⁽⁹⁾
7	10	PA1	I/O/A	-	PA1	USART2_RTS ADC_IN1 TIM2_CH2	TIM2_CH2_2
8	11	PA2	I/O/A	-	PA2	USART2_TX ADC_IN2 TIM2_CH3 OPA2_OUT0	TIM2_CH3_1
9	12	PA3	I/O/A	-	PA3	USART2_RX	TIM2_CH4_1

Pin No.		Pin name	Pin type ⁽¹⁾	I/O structure	Main function (after reset)	Default alternate function	Remapping function ⁽⁸⁾
(F8)	(G8)						
TSSOP20	QSOP28						
						ADC_IN3 TIM2_CH4 OPA1_OUT0	
11	15	PA4	I/O/A	-	PA4	SPI1_NSS USART2_CK ADC_IN4 OPA2_OUT1	
12	16	PA5	I/O/A	-	PA5	SPI1_SCK ADC_IN5 OPA2_CH1N	
10	13	PA6	I/O/A	-	PA6	SPI1_MISO ADC_IN6 TIM3_CH1 OPA1_CH1N	TIM1_BKIN_1
13	17	PA7	I/O/A	-	PA7	SPI1_MOSI ADC_IN7 TIM3_CH2 OPA2_CH1P	TIM1_CH1N_1
14	14	PB0	I/O/A	-	PB0	ADC_IN8 TIM3_CH3 OPA1_CH1P	TIM1_CH2N_1 TIM3_CH3_2
-	20	PB1	I/O/A	-	PB1	ADC_IN9 TIM3_CH4 OPA1_OUT1	TIM1_CH3N_1 TIM3_CH4_2
-	18	PB10	I/O/A	FT	PB10	OPA2_CH0N	TIM2_CH3_2 TIM2_CH3_3
-	19	PB11	I/O/A	FT	PB11	OPA1_CH0N	TIM2_CH4_2 TIM2_CH4_3
-	20	PB12	I/O/A	FT	PB12	TIM1_BKIN	
-	20	PB1	I/O/A	FT	PB1	OPA1_OUT1	
15	21	PB13	I/O/A	FT	PB13	TIM1_CH1N	
16	22	PB14	I/O/A	FT	PB14	TIM1_CH2N OPA2_CH0P	
17	23	PB15	I/O/A	FT	PB15	TIM1_CH3N OPA1_CH0P	
18	24	PA8	I/O	FT	PA8	USART1_CK TIM1_CH1 MCO	USART1_CK_1 TIM1_CH1_1
19	25	PA9	I/O	FT	PA9	USART1_TX	TIM1_CH2_1

Pin No.		Pin name	Pin type ⁽¹⁾	I/O structure	Main function (after reset)	Default alternate function	Remapping function ⁽⁸⁾
(F8)	(G8)						
TSSOP20	QSOP28						
						TIM1_CH2	
20	26	PA10	I/O	FT	PA10	USART1_RX TIM1_CH3	TIM1_CH3_1
-	27	PA11	I/O/A	FT	PA11	USART1_CTS USBDM CAN1_RX TIM1_CH4	USART1_CTS_1 TIM1_CH4_1
-	28	PA12	I/O/A	FT	PA12	USART1_RTS USBDP CAN1_TX TIM1_ETR	USART1_RTS_1 TIM1_ETR_1
1	28	PA13	I/O	FT	SWDIO		PA13
3	7	V _{SS}	P	-	V _{SS}		
4	6	V _{DD}	P	-	V _{DD}		
2	1	PA14	I/O	FT	SWCLK		PA14
-	1	PB5	I/O	FT	PB5	I2C1_SMBA	TIM3_CH2_2
1	2	PB6	I/O	FT	PB6	I2C1_SCL TIM4_CH1 USBFS_DM	USART1_TX_1
2	3	PB7	I/O	FT	PB7	I2C1_SDA TIM4_CH2 USBFS_DP	USART1_RX_1
-	4	BOOT0	I	-	BOOT0		
-	5	PB8	I/O/A	FT	PB8	TIM4_CH3	I2C1_SCL_1 CAN1_RX_2

Table 3-1-3 TSSOP20(F6)/QFN28(G6) pin definitions

Pin No.		Pin name	Pin type ⁽¹⁾	I/O structure	Main function (after reset)	Default alternate function	Remapping function ⁽⁸⁾
(F6)	(G6)						
TSSOP20	QFN28						
-	0	V _{SS}	P	-	V _{SS}		
2	2	OSC_IN	I/A	-	OSC_IN		PD0 ⁽⁴⁾
3	3	OSC_OUT	O/A	-	OSC_OUT		PD1 ⁽⁴⁾
4	4	NRST	I	-	NRST		
5	5	V _{DDA}	P	-	V _{DDA}		

Pin No.		Pin name	Pin type ⁽¹⁾	I/O structure	Main function (after reset)	Default alternate function	Remapping function ⁽⁸⁾
(F6)	(G6)						
TSSOP20	QFN28						
6	6	PA0-WKUP	I/O/A	-	PA0	WKUP USART2_CTS ADC_IN0 TIM2_CH1 ⁽⁹⁾ TIM2_ETR ⁽⁹⁾	TIM2_CH1_2 ⁽⁹⁾ TIM2_ETR_2 ⁽⁹⁾
7	7	PA1	I/O/A	-	PA1	USART2_RTS ADC_IN1 TIM2_CH2	TIM2_CH2_2
8	8	PA2	I/O/A	-	PA2	USART2_TX ADC_IN2 TIM2_CH3 OPA2_OUT0	TIM2_CH3_1
9	9	PA3	I/O/A	-	PA3	USART2_RX ADC_IN3 TIM2_CH4 OPA1_OUT0	TIM2_CH4_1
10	10	PA4	I/O/A	-	PA4	SPI1_NSS USART2_CK ADC_IN4 OPA2_OUT1	
11	11	PA5	I/O/A	-	PA5	SPI1_SCK ADC_IN5 OPA2_CH1N	
12	12	PA6	I/O/A	-	PA6	SPI1_MISO ADC_IN6 TIM3_CH1 OPA1_CH1N	TIM1_BKIN_1
13	13	PA7	I/O/A	-	PA7	SPI1_MOSI ADC_IN7 TIM3_CH2 OPA2_CH1P	TIM1_CH1N_1
-	14	PB0	I/O/A	-	PB0	ADC_IN8 TIM3_CH3 OPA1_CH1P	TIM1_CH2N_1 TIM3_CH3_2
14	15	PB1	I/O/A	-	PB1	ADC_IN9 TIM3_CH4 OPA1_OUT1	TIM1_CH3N_1 TIM3_CH4_2
15	16	V _{SS}	P		V _{SS}		
16	17	V _{DD}	P		V _{DD}		

Pin No.		Pin name	Pin type ⁽¹⁾	I/O structure	Main function (after reset)	Default alternate function	Remapping function ⁽⁸⁾
(F6)	(G6)						
TSSOP20	QFN28						
-	18	PA9	I/O	FT	PA9	USART1_TX TIM1_CH2	TIM1_CH2_1
-	19	PA10	I/O	FT	PA10	USART1_RX TIM1_CH3	TIM1_CH3_1
17	19	PA11	I/O/A	FT	PA11	USART1_CTS USBDM CAN1_RX TIM1_CH4	USART1_CTS_1 TIM1_CH4_1
18	20	PA12	I/O/A	FT	PA12	USART1_RTS USBDP CAN1_TX TIM1_ETR	USART1_RTS_1 TIM1_ETR_1
19	21	PA13	I/O	FT	SWDIO		PA13
20	22	PA14	I/O	FT	SWCLK		PA14
-	23	PA15	I/O	FT	PA15		TIM2_CH1_1 ⁽⁹⁾ TIM2_ETR_1 ⁽⁹⁾ TIM2_CH1_3 ⁽⁹⁾ TIM2_ETR_3 ⁽⁹⁾ SPI1_NSS_1
-	24	PB3	I/O	FT	PB3		TIM2_CH2_1 TIM2_CH2_3 SPI1_SCK_1
-	25	PB4	I/O	FT	PB4		TIM3_CH1_2 SPI1_MISO_1
-	26	PB5	I/O	FT	PB5	I2C1_SMBA	TIM3_CH2_2 SPI1_MOSI_1
-	27	PB6	I/O	FT	PB6	I2C1_SCL TIM4_CH1	USART1_TX_1
-	28	PB7	I/O	FT	PB7	I2C1_SDA TIM4_CH2	USART1_RX_1
1 ⁽⁶⁾	1 ⁽⁶⁾	BOOT0	I	-	BOOT0		
		PB8	I/O/A	FT	PB8		I2C1_SCL_1 CAN1_RX_2

Table 3-1-4 LQFP64M pin definitions

Pin No.	Pin name	Pin type ⁽¹⁾	I/O structure	Main function (after reset)	Default alternate function	Remapping function ⁽⁸⁾
LQFP64M						
1	V _{BAT}	P	-	V _{BAT}		
2	PC13-TAMPER-RTC ⁽²⁾	I/O	-	PC13 ⁽³⁾	TAMPER-RTC	
3	PC14-OSC32_IN ⁽²⁾	I/O/A	-	PC14 ⁽³⁾	OSC32_IN	
4	PC15-OSC32_OUT ⁽²⁾	I/O/A	-	PC15 ⁽³⁾	OSC32_OUT	
5	OSC_IN ⁽⁴⁾	I/A	-	OSC_IN		
6	OSC_OUT ⁽⁴⁾	O/A	-	OSC_OUT		
7	NRST	I	-	NRST		
8	PC0	I/O/A	-	PC0	ADC_IN10	
9	PC1	I/O/A	-	PC1	ADC_IN11	
10	PC2	I/O/A	-	PC2	ADC_IN12	
11	PC3	I/O/A	-	PC3	ADC_IN13	
12	V _{SSA}	P	-	V _{SSA}		
13	V _{DDA}	P	-	V _{DDA}		
14	PA0-WKUP	I/O/A	-	PA0	WKUP USART2_CTS ADC_IN0 TIM2_CH1 ⁽⁹⁾ TIM2_ETR ⁽⁹⁾ TIM5_CH1	TIM2_CH1_2 ⁽⁹⁾ TIM2_ETR_2 ⁽⁹⁾
15	PA1	I/O/A	-	PA1	USART2_RTS ADC_IN1 TIM2_CH2 TIM5_CH2	TIM2_CH2_2
16	PA2	I/O/A	-	PA2	USART2_TX ADC_IN2 TIM2_CH3 OPA2_OUT0 TIM5_CH3	TIM2_CH3_1
17	PA3	I/O/A	-	PA3	USART2_RX ADC_IN3 TIM2_CH4 OPA1_OUT0 TIM5_CH4	TIM2_CH4_1
18	V _{SS_4}	P	-	V _{SS_4}		
19	V _{DD_IO_4}	P	-	V _{DD_IO_4}		

Pin No.	Pin name	Pin type ⁽¹⁾	I/O structure	Main function (after reset)	Default alternate function	Remapping function ⁽⁸⁾
LQFP64M						
20	PA4	I/O/A	-	PA4	SPI1_NSS USART2_CK ADC_IN4 OPA2_OUT1	
21	PA5	I/O/A	-	PA5	SPI1_SCK ADC_IN5 OPA2_CH1N	
22	PA6	I/O/A	-	PA6	SPI1_MISO ADC_IN6 TIM3_CH1 OPA1_CH1N	TIM1_BKIN_1
23	PA7	I/O/A	-	PA7	SPI1_MOSI ADC_IN7 TIM3_CH2 OPA2_CH1P	TIM1_CH1N_1
24	PC4	I/O/A		PC4	ADC_IN14	
25	PC5	I/O/A		PC5	ADC_IN15	
26	PB0	I/O/A	-	PB0	ADC_IN8 TIM3_CH3 OPA1_CH1P	TIM1_CH2N_1 TIM3_CH3_2 UART4_TX_1
27	PB1	I/O/A	-	PB1	ADC_IN9 TIM3_CH4 OPA1_OUT1	TIM1_CH3N_1 TIM3_CH4_2 UART4_RX_1
28	PB2 ⁽⁵⁾	I/O	FT	PB2 BOOT1 ⁽⁵⁾		
29	PB10	I/O/A	FT	PB10	I2C2_SCL USART3_TX OPA2_CH0N	TIM2_CH3_2 TIM2_CH3_3
30	PB11	I/O/A	FT	PB11	I2C2_SDA USART3_RX OPA1_CH0N	TIM2_CH4_2 TIM2_CH4_3
31	V _{SS_1}	P		V _{SS_1}		
32	V _{DD_IO_1}	P		V _{DD_IO_1}		
33	PB12	I/O/A	FT	PB12	SPI2_NSS I2C2_SMBA USART3_CK TIM1_BKIN	
34	PB13	I/O/A	FT	PB13	SPI2_SCK USART3_CTS TIM1_CH1N	USART3_CTS_1

Pin No.	Pin name	Pin type ⁽¹⁾	I/O structure	Main function (after reset)	Default alternate function	Remapping function ⁽⁸⁾
LQFP64M						
35	PB14	I/O/A	FT	PB14	SPI2_MISO TIM1_CH2N USART3_RTS OPA2_CH0P	USART3_RTS_1
36	PB15	I/O/A	FT	PB15	SPI2_MOSI TIM1_CH3N OPA1_CH0P	
37	PC6	I/O/A	FT	PC6	ETH_RXP	TIM3_CH1_3
38	PC7	I/O/A	FT	PC7	ETH_RXN	TIM3_CH2_3
39	PC8	I/O/A	FT	PC8	ETH_TXP	TIM3_CH3_3
40	PC9	I/O/A	FT	PC9	ETH_TXN	TIM3_CH4_3
41	PA8	I/O	FT	PA8	USART1_CK TIM1_CH1 MCO	USART1_CK_1 TIM1_CH1_1
42	PA9	I/O	FT	PA9	USART1_TX TIM1_CH2	TIM1_CH2_1
43	PA10	I/O	FT	PA10	USART1_RX TIM1_CH3	TIM1_CH3_1
44	PA11	I/O/A	FT	PA11	USART1_CTS USBDM CAN1_RX TIM1_CH4	USART1_CTS_1 TIM1_CH4_1
45	PA12	I/O/A	FT	PA12	USART1_RTS USBDP CAN1_TX TIM1_ETR	USART1_RTS_1 TIM1_ETR_1
46	PA13	I/O	FT	SWDIO		PA13
-	V _{SS_2}	P	-	V _{SS_2}		
-	V _{DD_2}	P	-	V _{DD_2}		
47	NC			NC		
48	NC			NC		
49	PA14	I/O	FT	SWCLK		PA14
50	PA15	I/O	FT	PA15		TIM2_CH1_1 ⁽⁹⁾ TIM2_ETR_1 ⁽⁹⁾ TIM2_CH1_3 ⁽⁹⁾ TIM2_ETR_3 ⁽⁹⁾ SPI1_NSS_1
51	PC10	I/O	FT	PC10	UART4_TX	USART3_TX_1
52	PC11	I/O	FT	PC11	UART4_RX	USART3_RX_1
53	PC12	I/O	FT	PC12		USART3_CK_1

Pin No.	Pin name	Pin type ⁽¹⁾	I/O structure	Main function (after reset)	Default alternate function	Remapping function ⁽⁸⁾
LQFP64M						
54	PD2	I/O	FT	PD2	TIM3_ETR	TIM3_ETR_2 TIM3_ETR_3
55	PB3	I/O	FT	PB3		TIM2_CH2_1 TIM2_CH2_3 SPI1_SCK_1
56	PB4	I/O	FT	PB4		TIM3_CH1_2 SPI1_MISO_1
57	PB5	I/O	FT	PB5	I2C1_SMBA	TIM3_CH2_2 SPI1_MOSI_1
58	PB6	I/O	FT	PB6	I2C1_SCL TIM4_CH1 USBFS_DM	USART1_TX_1
59	PB7	I/O	FT	PB7	I2C1_SDA TIM4_CH2 USBFS_DP	USART1_RX_1
60	BOOT0	I	-	BOOT0		
61	PB8	I/O/A	FT	PB8	TIM4_CH3	I2C1_SCL_1 CAN1_RX_2
62	PB9	I/O/A	FT	PB9	TIM4_CH4	I2C1_SDA_1 CAN1_TX_2
63	V _{SS_3}	P	-	V _{SS_3}		
64	V _{DD_IO_3}	P	-	V _{DD_IO_3}		

Note 1: Abbreviations in the table

I = TTL/CMOS Schmitt input;

O = CMOS tri-state output;

A = analog signal input or output;

P = power;

FT = 5V tolerance;

ANT = RF signal input and output (antenna);

Note 2: Both V_{DD} and V_{BAT} can be connected with an internal analog switch to supply power to the backup area and the pins PC13, PC14 and PC15. This analog switch can only pass a limited current (3mA). When powered by V_{DD} , PC14 and PC15 can be used for GPIO or LSE pins, and PC13 can be used as a general-purpose I/O port, TAMPER pin, RTC calibration clock, RTC alarm clock or second output; PC13, PC14 and PC15 can only work in 2MHz mode when they are used as GPIO output pins, and the maximum driving load is 30pF, and they cannot be used as current sources (such as driving LEDs). When the power is supplied by V_{BAT} , PC14 and PC15 can only be used for LSE pin, and PC13 can be used as TAMPER pin, RTC alarm clock or second output;

Note 3: These pins are in the main function state when the backup area is powered on for the first time. Even after reset, the state of these pins is controlled by the backup area registers (these registers will not be reset by the main reset system). For specific information on how to control these I/O ports, please refer to the relevant chapters on the battery backup area and BKP register in the CH32FV2x_V3xRM datasheet;

Note 4: For CH32V203C6T6, CH32V203C8T6 and CH32V203C8U6 chips, pin 5 and pin 6 are configured as OSC_IN and OSC_OUT function pins by default after chip reset, and the software can reset these two pins to PD0 and PD1 functions. For CH32V203F6P6, CH32V203G6U6 and CH32V203K8T6 chips, pin 2 and pin 3 are configured as OSC_IN and OSC_OUT function pins by default after chip reset, and the software can reset these two pins to PD0 and PD1 functions. While CH32V203RBT6 chip only has OSC_IN and OSC_OUT function pins, which cannot be reused as PD0 and PD1 functions. For more details, please refer to the reuse function I/O chapter and debugging setting chapter in the CH32FV2x_V3xRM manual;

Note 5: For devices without the BOOT0 pinout, they are pulled down to GND internally. For devices with the BOOT0 pinout but no BOOT1/PB2 pinout, BOOT1/PB2 is pulled down to GND internally. In this case, it is recommended that the BOOT1/PB2 pinout is set to input pull-down mode if a device goes into the low-power mode and configures I/O port state, to avoid generating extra current;

Note 6: BOOT0 and PB8 pins are combined to seal the chip, and it is recommended to externally connect a 4.7K pull-down resistor to ensure that BOOT0 is low during power-on, so as to enter the bootstrap mode of program flash memory. After normal operation, the PB8 pin can be used for output as required;

Note 7: For devices in 20-pin/28-pin package, several pins are shorted (at least 2 I/O function pins are physically shorted as one pin). In this case, the driver should not configure the output function at the same time, otherwise the pins may be damaged. Note pin states when there is a power consumption requirement;

Note 8: The value underlined by the remapping function indicates the configuration value of the corresponding bit in the AFIO register. For example, UART4_RX_3 indicates that the corresponding bit of AFIO register is configured as 11b;

Note 9: TIM2_CH1 and TIM2_ETR share a common pin, but cannot be used at the same time.

3.3 Pin Alternate Functions

Note: The pin function in the table below refer to all functions and does not involve specific model(s). There are differences in peripheral resources between different models. Please confirm whether this function is available according to the particular model's resource table before viewing this table.

Table 3-2 Pin alternate and remapping functions

Alternate Pin	ADC	TIM1	TIM 2/3/4/5	UART USART	USB	SYS	I2C	SPI	ETH	OPA	CAN
PA0	ADC_IN0		TIM2_CH1 TIM2_ETR TIM2_CH1_2 TIM2_ETR_2 TIM5_CH1	USART2_CTS		WKUP					
PA1	ADC_IN1		TIM2_CH2 TIM2_CH2_2 TIM5_CH2	USART2_RTS							
PA2	ADC_IN2		TIM2_CH3 TIM2_CH3_1 TIM5_CH3	USART2_TX						OPA2_OUT0	
PA3	ADC_IN3		TIM2_CH4 TIM2_CH4_1 TIM5_CH4	USART2_RX						OPA1_OUT0	
PA4	ADC_IN4			USART2_CK				SPI1_NSS		OPA2_OUT1	
PA5	ADC_IN5			USART4_TX_1				SPI1_SCK		OPA2_CH1N	
PA6	ADC_IN6	TIM1_BKIN_1	TIM3_CH1	USART4_CK_1				SPI1_MISO		OPA1_CH1N	
PA7	ADC_IN7	TIM1_CH1N_1	TIM3_CH2	USART4_CTS_1				SPI1_MOSI		OPA2_CH1P	
PA8		TIM1_CH1 TIM1_CH1_1		USART1_CK USART1_CK_1		MCO					
PA9		TIM1_CH2 TIM1_CH2_1		USART1_TX							
PA10		TIM1_CH3 TIM1_CH3_1		USART1_RX							
PA11		TIM1_CH4 TIM1_CH4_1		USART1_CTS USART1_CTS_1	USBDM						CAN1_RX
PA12		TIM1_ETR TIM1_ETR_1		USART1_RTS USART1_RTS_1	USBDP						CAN1_TX
PA13						SWDIO					
PA14						SWCLK					
PA15			TIM2_CH1_1 TIM2_ETR_1 TIM2_CH1_3 TIM2_ETR_3	USART4_RTS_1				SPI1_NSS_1			
PB0	ADC_IN8	TIM1_CH2N_1	TIM3_CH3 TIM3_CH3_2	UART4_TX_1 USART4_TX						OPA1_CH1P	
PB1	ADC_IN9	TIM1_CH3N_1	TIM3_CH4 TIM3_CH4_2	UART4_RX_1 USART4_RX						OPA1_OUT1	
PB2				USART4_CK		BOOT1					
PB3			TIM2_CH2_1 TIM2_CH2_3	USART4_CTS				SPI1_SCK_1			
PB4			TIM3_CH1_2	USART4_RTS				SPI1_MISO_1			
PB5			TIM3_CH2_2	USART4_RX_1			I2C1_SMBA	SPI1_MOSI_1			
PB6			TIM4_CH1	USART1_TX_1	USBFS_DM		I2C1_SCL				
PB7			TIM4_CH2	USART1_RX_1	USBFS_DP		I2C1_SDA				

Alternate Pin	ADC	TIM1	TIM 2/3/4/5	UART USART	USB	SYS	I2C	SPI	ETH	OPA	CAN
PB8			TIM4_CH3				I2C1_SCL_1				CAN1_RX_2
PB9			TIM4_CH4				I2C1_SDA_1				CAN1_TX_2
PB10			TIM2_CH3_2 TIM2_CH3_3	USART3_TX			I2C2_SCL			OPA2_CH0N	
PB11			TIM2_CH4_2 TIM2_CH4_3	USART3_RX			I2C2_SDA			OPA1_CH0N	
PB12		TIM1_BKIN		USART3_CK			I2C2_SMBA	SPI2_NSS			
PB13		TIM1_CH1N		USART3_CTS USART3_CTS_1				SPI2_SCK			
PB14		TIM1_CH2N		USART3_RTS USART3_RTS_1				SPI2_MISO		OPA2_CH0P	
PB15		TIM1_CH3N						SPI2_MOSI		OPA1_CH0P	
PC0	ADC_IN10										
PC1	ADC_IN11										
PC2	ADC_IN12										
PC3	ADC_IN13										
PC4	ADC_IN14										
PC5	ADC_IN15										
PC6			TIM3_CH1_3						ETH_RXP		
PC7			TIM3_CH2_3						ETH_RXN		
PC8			TIM3_CH3_3						ETH_TXP		
PC9			TIM3_CH4_3						ETH_TXN		
PC10				UART4_TX USART3_TX_1							
PC11				UART4_RX USART3_RX_1							
PC12				USART3_CK_1							
PC13						TAMPER-RTC					
PC14						OSC32_IN					
PC15						OSC32_OUT					
PD0						OSC_IN					
PD1						OSC_OUT					
PD2			TIM3_ETR TIM3_ETR_2 TIM3_ETR_3								

Chapter 4 Electrical Characteristics

4.1 Test Conditions

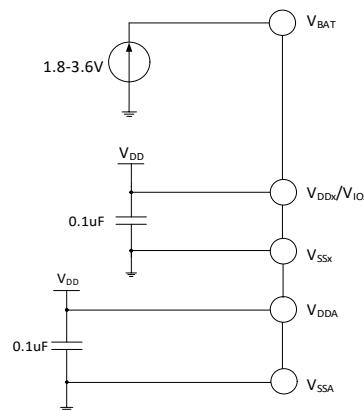
Unless otherwise specified and marked, all voltages are referenced to V_{SS} .

All minimum and maximum values are guaranteed in the worst conditions of ambient temperature, supply voltage and clock frequency. Typical values are based on normal temperature (25°C) and $V_{DD} = 3.3V$ environment, which are given only as design guidelines.

The data based on comprehensive evaluation, design simulation or technology characteristics are not tested in production. On the basis of comprehensive evaluation, the minimum and maximum values refer to sample tests. Unless otherwise specified that is tested, the characteristic parameters are guaranteed by comprehensive evaluation or design.

Power supply scheme:

Figure 4-1 Typical circuit for conventional power supply



4.2 Absolute Maximum Ratings

Stresses at or above the absolute maximum ratings listed in the table below may cause permanent damage to the device.

Table 4-1 Absolute maximum ratings

Symbol	Description	Min.	Max.	Unit
T_A	Ambient temperature during operation	-40	85	°C
T_S	Ambient temperature during storage	-40	125	°C
$V_{DD}-V_{SS}$	External main supply voltage (including V_{DDA} and V_{DD})	-0.3	4.0	V
$V_{I/O}-V_{SS}$	I/O domain supply voltage	-0.3	4.0	V
V_{IN}	Input voltage on the FT (5V tolerance) pin	$V_{SS}-0.3$	5.5	V
	Input voltage on other pins	$V_{SS}-0.3$	$V_{DD}+0.3$	
$ \Delta V_{DD_x} $	Variations between different main power supply pins		50	mV
$ \Delta V_{I/O_x} $	Variations between different I/O power supply pins		50	mV
$ \Delta V_{SS_x} $	Variations between different ground pins		50	mV

$V_{ESD(HBM)}$	ESD Electrostatic discharge voltage	4K	V
	USB pins (PA11, PA12)	3K	V
I_{VDD}	Total current into $V_{DD}/V_{DDA}/V_{IO}$ power lines (source)	150	mA
I_{VSS}	Total current out of V_{SS} ground lines (sink)	150	
$I_{I/O}$	Sink current on any I/O and control pin	25	
	Output current on any I/O and control pin	-25	
$I_{INJ(PIN)}$	Injected current on NRST pin	+/-5	
	Injected current on HSE's OSC_IN pin and LSE's OSC_IN pin	+/-5	
	Injected current on other pins	+/-5	
$\sum I_{INJ(PIN)}$	Total injected current on all I/Os and control pins	+/-25	

4.3 Electrical Characteristics

4.3.1 Operating Conditions

Table 4-2 General operating conditions

Symbol	Parameter	Condition	Min.	Max.	Unit
F_{HCLK}	Internal HB clock frequency			144	MHz
F_{PCLK1}	Internal PB1 clock frequency			144	MHz
F_{PCLK2}	Internal PB2 clock frequency			144	MHz
V_{DD}	Standard operating voltage		2.4	3.6	V
		Use USB	3.0	3.6	
V_{IO}	Output voltage on most I/O pins	V_{IO} cannot be more than V_{DD}	2.4	3.6	V
V_{DDA}	Analog operating voltage (ADC is not used)	V_{DDA} must be the same as V_{IO} , V_{REF+} cannot be higher than V_{DDA} , V_{REF-} is equal to V_{SS} .	2.4	3.6	V
	Analog operating voltage (ADC is used)				
$V_{BAT}^{(1)}$	Backup operating voltage	Cannot be more than V_{DD}	1.8	3.6	V
T_A	Ambient temperature		-40	85	°C
T_J	Junction temperature range		-40	105	°C

Note: 1. The connection line from the battery to V_{BAT} should be as short as possible.

Table 4-3 Power-on and power-down conditions

Symbol	Parameter	Condition	Min.	Max.	Unit
t_{VDD}	V_{DD} rise time rate		0	∞	us/V
	V_{DD} fall time rate		20	∞	

4.3.2 Embedded Reset and Power Control Block Characteristics

Table 4-4 Reset and voltage monitor (For PDR, select high threshold gear)

Symbol	Parameter	Condition	Min.	Typ.	Max.	Unit
$V_{PVD}^{(1)}$	Programmable voltage detector level selection	PLS[2:0] = 000 (rising edge)		2.39		V
		PLS[2:0] = 000 (falling edge)		2.31		V
		PLS[2:0] = 001 (rising edge)		2.56		V
		PLS[2:0] = 001 (falling edge)		2.48		V
		PLS[2:0] = 010 (rising edge)		2.65		V
		PLS[2:0] = 010 (falling edge)		2.57		V
		PLS[2:0] = 011 (rising edge)		2.78		V
		PLS[2:0] = 011 (falling edge)		2.69		V
		PLS[2:0] = 100 (rising edge)		2.89		V
		PLS[2:0] = 100 (falling edge)		2.81		V
		PLS[2:0] = 101 (rising edge)		3.05		V
		PLS[2:0] = 101 (falling edge)		2.96		V
		PLS[2:0] = 110 (rising edge)		3.17		V
		PLS[2:0] = 110 (falling edge)		3.08		V
		PLS[2:0] = 111 (rising edge)		3.31		V
		PLS[2:0] = 111 (falling edge)		3.21		V
$V_{PVDhyst}$	PVD hysteresis			0.08		V
$V_{POR/PDR}$	Power-on/power-down reset threshold	Rising edge	1.9	2.2	2.4	V
		Falling edge	1.9	2.2	2.4	V
$V_{PDRhyst}$	PDR hysteresis			20		mV
$t_{RSTTEMPO}$	Power on reset		24	28	30	mS
	Other resets		8	10	30	

Note: 1. Normal temperature test value.

4.3.3 Embedded Reference Voltage

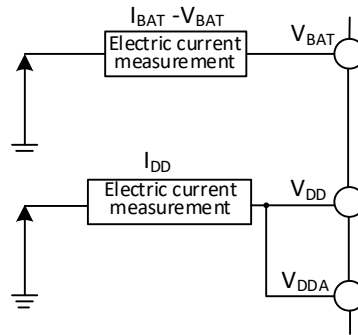
Table 4-5 Embedded reference voltage

Symbol	Parameter	Condition	Min.	Typ.	Max.	Unit
V_{REFINT}	Internal reference voltage	$T_A = -40^{\circ}\text{C}\sim 85^{\circ}\text{C}$	1.17	1.2	1.23	V
$T_{S_vrefint}$	ADC sampling time when reading the internal reference voltage				17.1	us

4.3.4 Supply Current Characteristics

Current consumption is a comprehensive index of a variety of parameters and factors. These parameters and factors include operating voltage, ambient temperature, I/O pin load, the software configuration of the product, the operating frequency, flip rate of the I/O pin, the location of the program in memory and the executed code, etc. The current consumption measurement method is as follows:

Figure 4-2 Current consumption measurement



The microcontroller is in the following conditions:

Under normal temperature conditions and when $V_{DD} = 3.3V$, all I/O ports are configured with pull-down inputs, only one of HSE and HIS is enabled, HSE=8M, HIS=8M (calibrated), $F_{PLCK1}=F_{HCLK}/2$, $F_{PLCK2}=F_{HCLK}$, PLL is enabled when $F_{HCLK}>8MHz$. Enable or disable the power consumption of all peripheral clocks.

Table 4-6-1 Typical current consumption in Run mode, the data processing code runs from the internal Flash (V203)

Symbol	Parameter	Condition	Typ.		Unit	
			All peripherals enabled	All peripherals disabled ⁽²⁾		
$I_{DD}^{(1)}$	Supply current in Run mode	External clock	$F_{HCLK} = 144MHz$	11.8	7.6	mA
			$F_{HCLK} = 72MHz$	6.3	4.2	
			$F_{HCLK} = 48MHz$	4.4	3.0	
			$F_{HCLK} = 36MHz$	3.5	2.5	
			$F_{HCLK} = 24MHz$	2.6	1.9	
			$F_{HCLK} = 16MHz$	2.0	1.5	
			$F_{HCLK} = 8MHz$	1.2	1.0	
			$F_{HCLK} = 4MHz$	1.0	0.8	
		Runs on the high-speed internal RC oscillator (HSI). Uses HB prescaler to reduce the frequency.	$F_{HCLK} = 500KHz$	0.7	0.7	
			$F_{HCLK} = 144MHz$	11.4	7.1	
			$F_{HCLK} = 72MHz$	6.0	3.7	
			$F_{HCLK} = 48MHz$	4.1	2.6	
			$F_{HCLK} = 36MHz$	3.2	2.1	
			$F_{HCLK} = 24MHz$	2.3	1.5	
			$F_{HCLK} = 16MHz$	1.6	1.1	
			$F_{HCLK} = 8MHz$	0.9	0.6	
$F_{HCLK} = 4MHz$	0.6	0.5				
$F_{HCLK} = 500KHz$	0.3	0.3				

Note: The above are measured parameters.

Table 4-6-2 Typical current consumption in Run mode, the data processing code runs from the internal Flash

(V203RBT6)

Symbol	Parameter	Condition	Typ.		Unit	
			All peripherals enabled	All peripherals disabled ⁽²⁾		
I _{DD} ⁽¹⁾	Supply current in Run mode	External clock	F _{HCLK} = 144MHz	16.1	11.7	mA
			F _{HCLK} = 72MHz	8.4	6.2	
			F _{HCLK} = 48MHz	5.8	3.5	
			F _{HCLK} = 36MHz	4.6	3.5	
			F _{HCLK} = 24MHz	3.3	2.6	
			F _{HCLK} = 16MHz	2.4	2.0	
			F _{HCLK} = 8MHz	1.6	1.4	
			F _{HCLK} = 4MHz	1.2	1.1	
		F _{HCLK} = 500KHz	0.8	0.8		
		Runs on the high-speed internal RC oscillator (HSI). Uses HB prescaler to reduce the frequency.	F _{HCLK} = 144MHz	15.8	11.4	
			F _{HCLK} = 72MHz	8.2	6.0	
			F _{HCLK} = 48MHz	5.6	4.2	
			F _{HCLK} = 36MHz	4.4	3.3	
			F _{HCLK} = 24MHz	3.1	2.4	
			F _{HCLK} = 16MHz	2.3	1.8	
			F _{HCLK} = 8MHz	1.3	1.0	
F _{HCLK} = 4MHz	0.9		0.8			
F _{HCLK} = 500KHz	0.5	0.5				

Note: 1. The above are measured parameters.

2. HSE=32M, when testing, PLL is turned on.

Table 4-7-1 Typical current consumption in Sleep mode, data processing code runs from internal Flash or SRAM (V203)

Symbol	Parameter	Condition	Typ.		Unit	
			All peripherals enabled	All peripherals disabled ⁽²⁾		
I _{DD} ⁽¹⁾	Supply current in Sleep mode (In this case, peripheral power supply and clock are maintained)	External clock	F _{HCLK} = 144MHz	7.4	3.1	mA
			F _{HCLK} = 72MHz	4.0	1.9	
			F _{HCLK} = 48MHz	2.9	1.5	
			F _{HCLK} = 36MHz	2.4	1.3	
			F _{HCLK} = 24MHz	1.9	1.1	
			F _{HCLK} = 16MHz	1.5	1.0	
			F _{HCLK} = 8MHz	1.0	0.8	
			F _{HCLK} = 4MHz	0.8	0.7	
		F _{HCLK} = 500KHz	0.7	0.7		
		Runs on the high-speed internal RC oscillator (HSI). Uses HB	F _{HCLK} = 144MHz	7.1	2.8	
			F _{HCLK} = 72MHz	3.7	1.5	
			F _{HCLK} = 48MHz	2.6	1.2	
F _{HCLK} = 36MHz	2.0		1.0			

	prescaler reduce frequency.	to the	$F_{HCLK} = 24\text{MHz}$	1.5	0.8	
			$F_{HCLK} = 16\text{MHz}$	1.1	0.7	
			$F_{HCLK} = 8\text{MHz}$	0.6	0.4	
			$F_{HCLK} = 4\text{MHz}$	0.5	0.4	
			$F_{HCLK} = 500\text{KHz}$	0.3	0.3	

Note: The above are measured parameters.

Table 4-7-2 Typical current consumption in Sleep mode, data processing code runs from internal Flash or SRAM (V203RBT6)

Symbol	Parameter	Condition	Typ.		Unit	
			All peripherals enabled	All peripherals disabled ⁽²⁾		
$I_{DD}^{(1)}$	Supply current in Sleep mode (In this case, peripheral power supply and clock are maintained)	External clock	$F_{HCLK} = 144\text{MHz}$	8.3	3.9	mA
			$F_{HCLK} = 72\text{MHz}$	4.5	2.3	
			$F_{HCLK} = 48\text{MHz}$	3.2	1.8	
			$F_{HCLK} = 36\text{MHz}$	2.6	1.5	
			$F_{HCLK} = 24\text{MHz}$	2.0	1.3	
			$F_{HCLK} = 16\text{MHz}$	1.6	1.1	
			$F_{HCLK} = 8\text{MHz}$	1.2	0.9	
			$F_{HCLK} = 4\text{MHz}$	1.0	0.8	
		$F_{HCLK} = 500\text{KHz}$	0.8	0.8		
		Runs on the high-speed internal RC oscillator (HSI). Uses HB prescaler to reduce the frequency.	$F_{HCLK} = 144\text{MHz}$	8.2	3.8	
			$F_{HCLK} = 72\text{MHz}$	4.4	2.1	
			$F_{HCLK} = 48\text{MHz}$	3.1	1.6	
			$F_{HCLK} = 36\text{MHz}$	2.5	1.3	
			$F_{HCLK} = 24\text{MHz}$	1.8	1.1	
			$F_{HCLK} = 16\text{MHz}$	1.4	0.9	
			$F_{HCLK} = 8\text{MHz}$	0.9	0.6	
$F_{HCLK} = 4\text{MHz}$	0.7		0.5			
$F_{HCLK} = 500\text{KHz}$	0.5	0.5				

Note: 1. The above are measured parameters.

2. HSE=32M, when testing, PLL is turned on.

Table 4-8-1 Typical current consumption in Stop and Standby mode (V203)

Symbol	Parameter	Condition	Typ.	Unit
I_{DD}	Supply current in Stop mode	Voltage regulator in Run mode, low-speed and high-speed internal RC oscillators and external oscillators off (no independent watchdog)	70.5	uA
		Voltage regulator in low-power mode, low-speed and high-speed internal RC oscillators and external oscillators off (no independent watchdog, PVD off),	10.5	

		RAM enters low-power mode		
	Supply current in Standby mode	Low-speed internal RC oscillator and independent watchdog on, all RAM not powered	1.1	
		Low-speed internal RC oscillator on, independent watchdog off, all RAM not powered	1.1	
		LSI/LSE/RTC/IWDG off, 2K_RAM powered and in low-power mode	1.1	
		LSI/LSE/RTC/IWDG off, all RAM not powered	0.5	
I _{DD_VBAT}	Backup domain supply current (Remove V _{DD} and V _{DDA} , only powered by V _{BAT})	Low-speed external oscillator and RTC on	1.7	

Note: The above are measured parameters.

Table 4-8-2 Typical current consumption in Stop and Standby mode (V203RBT6)

Symbol	Parameter	Condition	Typ.	Unit
I _{DD}	Supply current in Stop mode	Voltage regulator in Run mode, low-speed and high-speed internal RC oscillators and external oscillators off (no independent watchdog)	265.8	uA
		Voltage regulator in low-power mode, low-speed and high-speed internal RC oscillators and external oscillators off (no independent watchdog, PVD off), RAM enters low-power mode	32.7	
	Supply current in Standby mode	Low-speed internal RC oscillator and independent watchdog on, all RAM not powered	1.6	
		Low-speed internal RC oscillator on, independent watchdog off, all RAM not powered	1.6	
		LSI/LSE/RTC/IWDG off, 32K_RAM powered and in low-power mode	2.5	
		LSI/LSE/RTC/IWDG off, 2K_RAM powered and in low-power mode	1.2	
		LSI/LSE/RTC/IWDG off, all RAM not powered	1.0	

I_{DD_VBAT}	Backup domain supply current (Remove V_{DD} and V_{DDA} , only powered by V_{BAT})	Low-speed external oscillator and RTC on	1.4	
----------------	---	--	-----	--

Note: The above are measured parameters.

4.3.5 External Clock Source Characteristics

Table 4-9 From external high-speed clock

Symbol	Parameter	Condition	Min.	Typ.	Max.	Unit
F_{HSE_ext}	External clock frequency		3	8	25	MHz
		Applied for V203RBT6		32		
$V_{HSEH}^{(1)}$	OSC_IN input pin high level voltage		$0.8V_{IO}$		V_{IO}	V
$V_{HSEL}^{(1)}$	OSC_IN input pin low-level voltage		0		$0.2V_{IO}$	V
$C_{in(HSE)}$	OSC_IN input capacitance			5		pF
$DuCy_{(HSE)}$	Duty cycle			50		%
I_L	OSC_IN input leakage current				± 1	μA

Note: 1. Failure to meet this condition may cause level recognition error.

Figure 4-3 External high-frequency clock source circuit

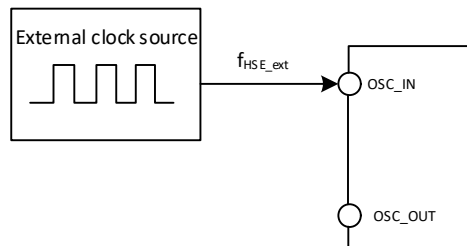


Table 4-10 From external low-speed clock

Symbol	Parameter	Condition	Min.	Typ.	Max.	Unit
F_{LSE_ext}	User external clock frequency			32.768	1000	KHz
V_{LSEH}	OSC32_IN input pin high level voltage		$0.8V_{DD}$		V_{DD}	V
V_{LSEL}	OSC32_IN input pin low voltage		0		$0.2V_{DD}$	V
$C_{in(LSE)}$	OSC32_IN input capacitance			5		pF
$DuCy_{(LSE)}$	Duty cycle			50		%
I_L	OSC32_IN input leakage current				± 1	μA

Figure 4-4 External low-frequency clock source circuit

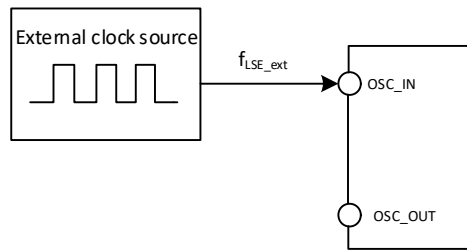


Table 4-11 High-speed external clock generated from a crystal/ceramic resonator

Symbol	Parameter	Condition	Min.	Typ.	Max.	Unit
F _{OSC_IN}	Resonator frequency		3	8	25	MHz
		Applied for V203RBT6		32 ⁽²⁾		
R _F	Feedback resistance			250		kΩ
C	Recommended load capacitance and corresponding crystal series impedance R _S	R _S =60Ω ⁽¹⁾		20		pF
I ₂	HSE drive current	V _{DD} = 3.3V, 20p load		0.53		mA
g _m	Oscillator transconductance	Startup		17.5		mA/V
t _{SU(HSE)}	Startup time	V _{DD} is stable, 8M crystal		2.5		ms

Note 1: It is recommended that the ESR of 25M crystal should not exceed 60 Ω, and it can be relaxed if it is lower than 25M.

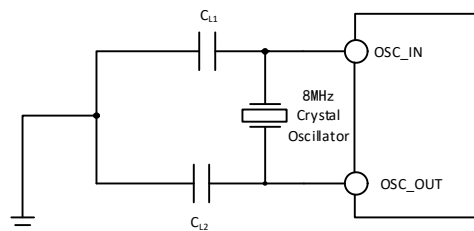
2. No external load capacitor is required.

Circuit reference design and requirements:

The load capacitance of the crystal is subject to the recommendation of the crystal manufacturer, generally C_{L1}=C_{L2}.

For CH32V203RB, they are connected with external 32M crystals, and they have built-in load capacitor, so the external circuit is not necessary.

Figure 4-5 Typical circuit of external 8M crystal

Table 4-12 Low-speed external clock generated by generated from a crystal/ceramic resonator (f_{LSE}=32.768KHz)

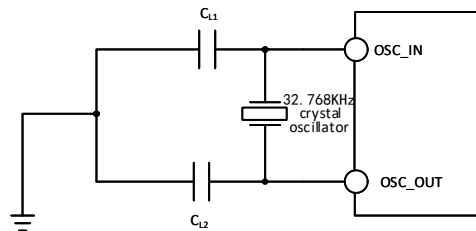
Symbol	Parameter	Condition	Min.	Typ.	Max.	Unit
R _F	Feedback resistance			5		MΩ
C	Recommended load capacitance and corresponding crystal serial impedance R _S	R _S <70kΩ			15	pF

i_2	LSE drive current	VDD = 3.3V		0.35		uA
g_m	Oscillator transconductance	Startup		25.3		uA/V
$t_{SU(LSE)}$	Startup time	VDD is stable		800		mS

Circuit reference design and requirements:

The load capacitance of the crystal is subject to the recommendation of the crystal manufacturer, usually $C_{L1}=C_{L2}$, which is about 12pF.

Figure 4-6 Typical circuit of external 32.768K crystal



Note: The load capacitance C_L is calculated by the following formula: $C_L = C_{L1} \times C_{L2} / (C_{L1} + C_{L2}) + C_{stray}$. C_{stray} is the capacitance of the pin and the PCB board or PCB-related capacitance. Its typical value is between 2pF and 7pF.

4.3.6 Internal Clock Source Characteristics

Table 4-13 Internal high-speed (HSI) RC oscillator characteristics

Symbol	Parameter	Condition	Min.	Typ.	Max.	Unit
F_{HSI}	Frequency (after calibration)			8		MHz
$DuCy_{HSI}$	Duty cycle		45	50	55	%
ACC_{HSI}	Accuracy of HSI oscillator (after calibration)	TA = 0°C~70°C	-1.0		1.6	%
		TA = -40°C~85°C	-2.2		2.2	%
$t_{SU(HSI)}$	HSI oscillator startup stabilization time				8	us
$I_{DD(HSI)}$	HSI oscillator power consumption		120	180	270	uA

Table 4-14 Internal low-speed (LSI) RC oscillator characteristics

Symbol	Parameter	Condition	Min.	Typ.	Max.	Unit
F_{LSI}	Frequency		25	39	60	KHz
		applied for V203RBT6	25	32	45	
$DuCy_{LSI}$	Duty cycle		45	50	55	%
$t_{SU(LSI)}$	LSI oscillator startup stabilization time	LSE enabled		230		us
		LSE disabled		5		ms
$I_{DD(LSI)}$	LSI oscillator power consumption			0.6		uA

4.3.7 PLL Characteristics

Table 4-15 PLL characteristics

Symbol	Parameter	Condition	Min.	Typ.	Max.	Unit
F _{PLL_IN}	PLL input clock		3	8	25	MHz
		applied for V203RBT6	4	8	25	
	PLL input clock duty cycle		40		60	%
F _{PLL_OUT}	PLL multiplier output clock		18		144 ⁽¹⁾	MHz
		applied for V203RBT6	40		240 ⁽¹⁾	
t _{LOCK}	PLL lock time				200	us

Note 1: The frequency multiplier must be selected to meet the PLL output frequency range.

4.3.8 Wakeup Time from Low-power Mode

Table 4-16-1 Wakeup time from low-power mode⁽¹⁾ (V203x)

Symbol	Parameter	Condition	Typ.	Unit
t _{wusleep}	Wakeup from Sleep mode	Wake up using HSI RC clock	1.44	us
t _{wustop}	Wakeup from Stop mode (voltage regulator is in Run mode)	Wake on HSI RC clock	22.87	us
	Wakeup from Stop mode (voltage regulator is in low-power mode)	Voltage regulator wake-up time from low-power mode + HSI RC clock wake up	75.53	us
t _{wustdby}	Wakeup from Standby mode	LDO stabilization time + HSI RC clock wake up + code load time ⁽²⁾	4.82	ms

Note: 1. The above parameters are measured parameters.

2. The code load time is calculated based on the current zero-wait area capacity configured by the chip and the size of the loading configuration clock.

Table 4-16-2 Wakeup time from low-power mode⁽¹⁾ (V203RBT6)

Symbol	Parameter	Condition	Typ.	Unit
t _{wusleep}	Wakeup from Sleep mode	Wake up using HSI RC clock	2.6	us
t _{wustop}	Wakeup from Stop mode (voltage regulator is in Run mode)	Wake on HSI RC clock	23.1	us
	Wakeup from Stop mode (voltage regulator is in low-power mode)	Voltage regulator wakeup time from low-power mode + HSI RC clock wake up	299	us
t _{wustdby}	Wakeup from Standby mode	LDO stabilization time + HSI RC clock wake up + code load time ⁽²⁾ (take 128K as example)	5.0	ms

Note: 1. The above parameters are measured parameters.

2. The code load time is calculated based on the current zero-wait area capacity configured by the chip and the size of the loading configuration clock.

4.3.9 Memory Characteristics

Table 4-17 Flash memory characteristics

Symbol	Parameter	Condition	Min.	Typ.	Max.	Unit
F_{prog}	Programming frequency ⁽¹⁾	$T_A = -40^{\circ}C \sim 85^{\circ}C$			60	MHz
t_{prog_page}	Page (256 bytes) programming time	$T_A = -40^{\circ}C \sim 85^{\circ}C$		2		ms
t_{erase_page}	Page (256 bytes) erase time	$T_A = -40^{\circ}C \sim 85^{\circ}C$		16		ms
t_{erase_sec}	Sector (4K bytes) erase time	$T_A = -40^{\circ}C \sim 85^{\circ}C$		16		ms
V_{prog}	Programming voltage		2.4		3.6	V

Note: 1. For the programming frequency of flash, read operation, program operation and erase operation are included. The clock is from HCLK.

Table 4-18 Flash memory endurance and data retention

Symbol	Parameter	Condition	Min.	Typ.	Max.	Unit
N_{END}	Endurance	$T_A = 25^{\circ}C$	10K	80K ⁽¹⁾		times
t_{RET}	Data retention		20			year

Note: The endurance parameter is actual measured, which is not guaranteed.

4.3.10 I/O Port Characteristics

Table 4-19 General-purpose I/O static characteristics

Symbol	Parameter	Condition	Min.	Typ.	Max.	Unit
V_{IH}	Standard I/O pin, input high level voltage		$0.41 * (V_{IO} - 1.8) + 1.3$		$V_{IO} + 0.3$	V
	FT I/O pin, input high level voltage		$0.42 * (V_{IO} - 1.8) + 1$		5.5	V
V_{IL}	Standard I/O pin, input low-level voltage		-0.3		$0.28 * (V_{IO} - 1.8) + 0.6$	V
	FT I/O pin, input low-level voltage		-0.3		$0.32 * (V_{IO} - 1.8) + 0.55$	V
V_{hys}	Standard I/O pin Schmitt trigger voltage hysteresis		150			mV
	FT I/O pin Schmitt trigger voltage hysteresis		90			
I_{lkg}	Input leakage current	Standard I/O port			1	uA
		FT I/O port			3	
R_{PU}	Weak pull-up equivalent resistance		30	40	50	k Ω
R_{PD}	Weak pull-down equivalent resistance		30	40	50	k Ω
C_{IO}	I/O pin capacitance			5		pF

Output drive current characteristics

GPIO (General-Purpose Input/Output Port) can sink or output up to $\pm 8mA$ current, and sink or output $\pm 20mA$ current (not strictly to V_{OL}/V_{OH}). In user applications, the total driving current of all I/O pins cannot exceed the absolute maximum ratings given in Section 4.2:

Table 4-20 Output voltage characteristics

Symbol	Parameter	Condition	Min.	Max.	Unit
V_{OL}	Output low level when 8 pins are sunk	TTL port, $I_{IO} = +8\text{mA}$		0.4	V
V_{OH}	Output high level when 8 pins are sourced	$2.7\text{V} < V_{DD} < 3.6\text{V}$	$V_{DD}-0.4$		
V_{OL}	Output low level when 8 pins are sunk	CMOS port, $I_{IO} = +8\text{mA}$		0.4	V
V_{OH}	Output high level when 8 pins are sourced	$2.7\text{V} < V_{DD} < 3.6\text{V}$	2.3		
V_{OL}	Output low level when 8 pins are sunk	$I_{IO} = +20\text{mA}$		1.3	V
V_{OH}	Output high level when 8 pins are sourced	$2.7\text{V} < V_{DD} < 3.6\text{V}$	$V_{DD}-1.3$		
V_{OL}	Output low level when 8 pins are sunk	$I_{IO} = +6\text{mA}$		0.4	V
V_{OH}	Output high level when 8 pins are sourced	$2.4\text{V} < V_{DD} < 2.7\text{V}$	$V_{DD}-1.3$		

Note: In the above conditions, if multiple I/O pins are driven at the same time, the total current cannot exceed the absolute maximum ratings given in Table 4.2. In addition, when multiple I/O pins are driven at the same time, the current on the power/ground point is very large, which will cause the voltage drop to make the internal I/O voltage not reach the power supply voltage in the table, resulting in the drive current being less than the nominal value.

Table 4-21 Input/output AC characteristics

MODEx[1:0] configuration	Symbol	Parameter	Condition	Min.	Max.	Unit
10 (2MHz)	$F_{\max(I/O)\text{out}}$	Maximum frequency	$CL=50\text{pF}, V_{DD}=2.7-3.6\text{V}$		2	MHz
	$t_{f(I/O)\text{out}}$	Output high to low fall time	$CL=50\text{pF}, V_{DD}=2.7-3.6\text{V}$		125	ns
	$t_{r(I/O)\text{out}}$	Output low to high rise time			125	ns
01 (10MHz)	$F_{\max(I/O)\text{out}}$	Maximum frequency	$CL=50\text{pF}, V_{DD}=2.7-3.6\text{V}$		10	MHz
	$t_{f(I/O)\text{out}}$	Output high to low fall time	$CL=50\text{pF}, V_{DD}=2.7-3.6\text{V}$		25	ns
	$t_{r(I/O)\text{out}}$	Output low to high rise time			25	ns
11 (50MHz)	$F_{\max(I/O)\text{out}}$	Maximum frequency	$CL=30\text{pF}, V_{DD}=2.7-3.6\text{V}$		50	MHz
			$CL=50\text{pF}, V_{DD}=2.7-3.6\text{V}$		30	MHz
	$t_{f(I/O)\text{out}}$	Output high to low fall time	$CL=30\text{pF}, V_{DD}=2.7-3.6\text{V}$		5	ns
			$CL=50\text{pF}, V_{DD}=2.7-3.6\text{V}$		8	ns
	$t_{r(I/O)\text{out}}$	Output low to high rise time	$CL=30\text{pF}, V_{DD}=2.7-3.6\text{V}$		5	ns
			$CL=50\text{pF}, V_{DD}=2.7-3.6\text{V}$		8	ns
	$t_{\text{EXTI}pw}$	The EXTI controller detects the pulse width of the external signal		10		ns

4.3.11 NRST Pin Characteristics

Table 4-22 External reset pin characteristics

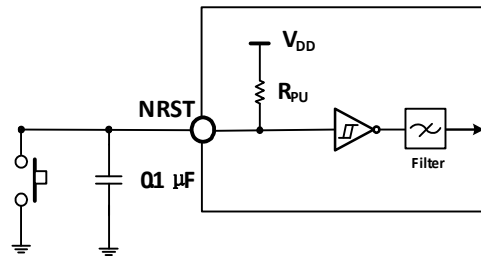
Symbol	Parameter	Condition	Min.	Typ.	Max.	Unit
$V_{IL(\text{NRST})}$	NRST input low-level voltage		-0.3		$0.28*(V_{DD}-1.8)+0.6$	V
$V_{IH(\text{NRST})}$	NRST input high-level voltage		$0.41*(V_{DD}-1.8)+1.3$		$V_{DD}+0.3$	V
$V_{\text{hys}(\text{NRST})}$	NRST Schmitt Trigger		150			mV

	voltage hysteresis					
$R_{PU}^{(1)}$	Weak pull-up equivalent resistance		30	40	50	k Ω
$V_{F(NRST)}$	NRST input filtered pulse width				100	ns
$V_{NF(NRST)}$	NRST input not filtered pulse width		300			ns

Note: 1. The pull-up resistor is a real resistor in series with a switchable PMOS implementation. The resistance of this PMOS/NMOS switch is very small (approximately 10%).

Circuit reference design and requirements:

Figure 4-7 Typical circuit of external reset pin



4.3.12 TIM Timer Characteristics

Table 4-23 TIMx characteristics

Symbol	Parameter	Condition	Min.	Max.	Unit
$t_{res(TIM)}$	Timer reference clock		1		$t_{TIMxCLK}$
		$f_{TIMxCLK} = 72MHz$	13.9		ns
F_{EXT}	Timer external clock frequency on CH1 to CH4		0	$f_{TIMxCLK}/2$	MHz
		$f_{TIMxCLK} = 72MHz$	0	36	MHz
R_{esTIM}	Timer resolution			16	bit
$t_{COUNTER}$	16-bit counter clock cycle when the internal clock is selected		1	65536	$t_{TIMxCLK}$
		$f_{TIMxCLK} = 72MHz$	0.0139	910	us
t_{MAX_COUNT}	Maximum possible count			65535	$t_{TIMxCLK}$
		$f_{TIMxCLK} = 72MHz$		59.6	s

4.3.13 I2C Interface Characteristics

Figure 4-8 I2C bus timing diagram

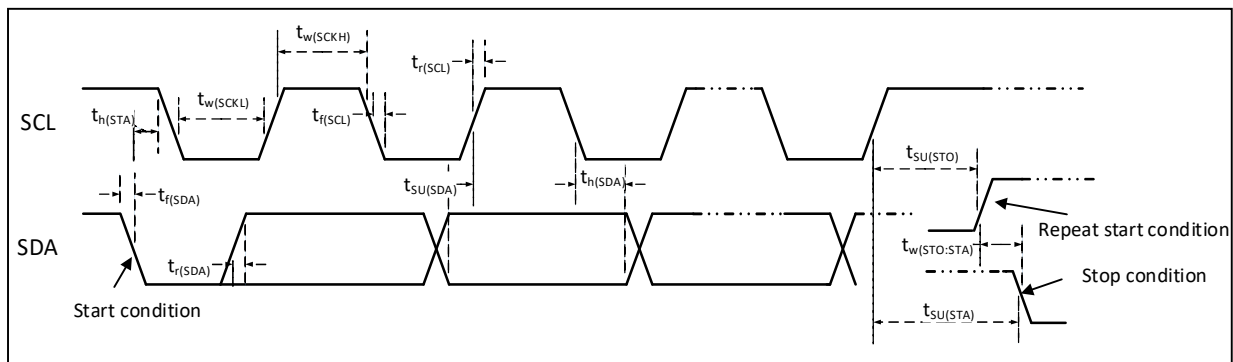


Table 4-24 I2C interface characteristics

Symbol	Parameter	Standard I2C		Fast I2C		Unit
		Min.	Max.	Min.	Max.	
$t_{w(SCKL)}$	SCL clock low time	4.7		1.2		us
$t_{w(SCKH)}$	SCL clock high time	4.0		0.6		us
$t_{SU(SDA)}$	SDA data setup time	250		100		ns
$t_{h(SDA)}$	SDA data hold time	0		0	900	ns
$t_{r(SDA)}/t_{r(SCL)}$	SDA and SCL rise time		1000	20		ns
$t_{f(SDA)}/t_{f(SCL)}$	SDA and SCL fall time		300			ns
$t_{h(STA)}$	Start condition hold time	4.0		0.6		us
$t_{SU(STA)}$	Repeated start condition setup time	4.7		0.6		us
$t_{SU(STO)}$	Stop condition setup time	4.0		0.6		us
$t_{w(STO:STA)}$	Time from stop condition to start condition (bus free)	4.7		1.2		us
C_b	Capacitive load for each bus		400		400	pF

4.3.14 SPI Interface Characteristics

Figure 4-9 SPI timing diagram in Master mode

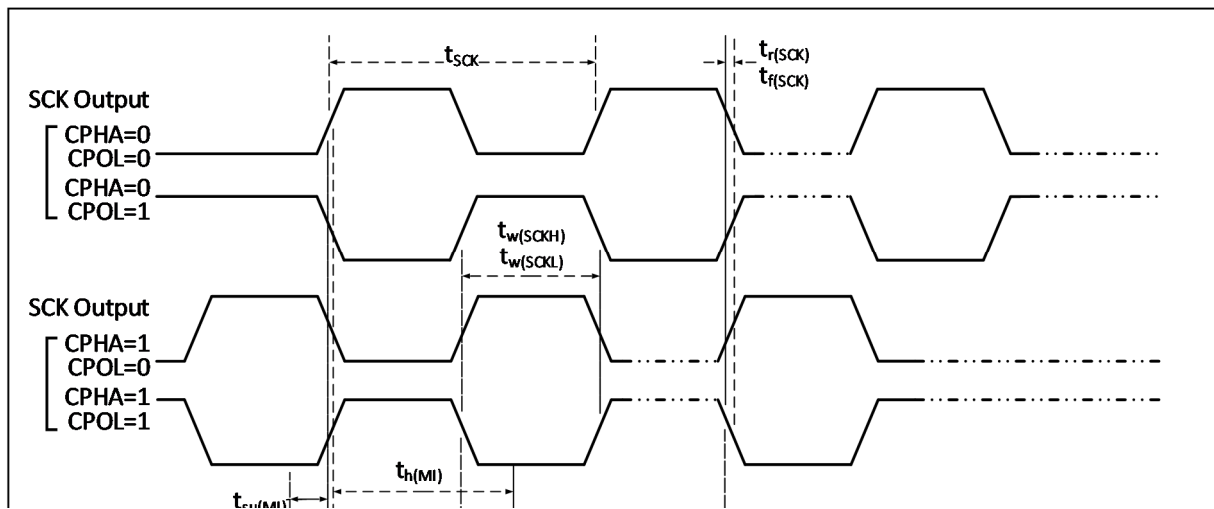


Figure 4-10 SPI timing diagram in Slave mode (CPHA=0)

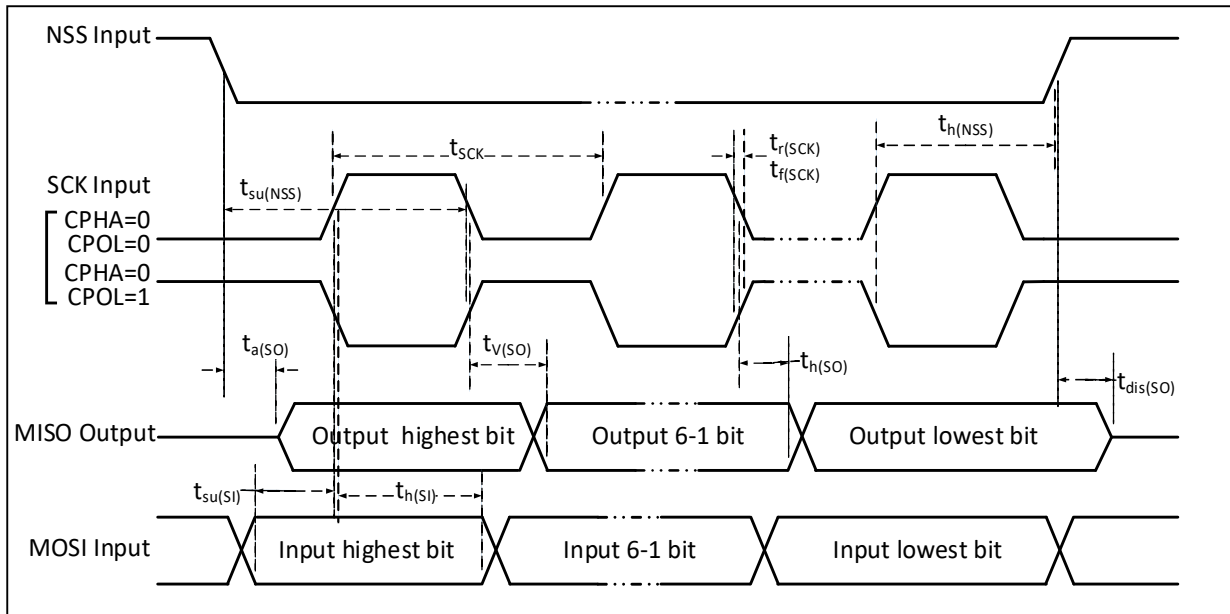


Figure 4-11 SPI timing diagram in Slave mode (CPHA=1)

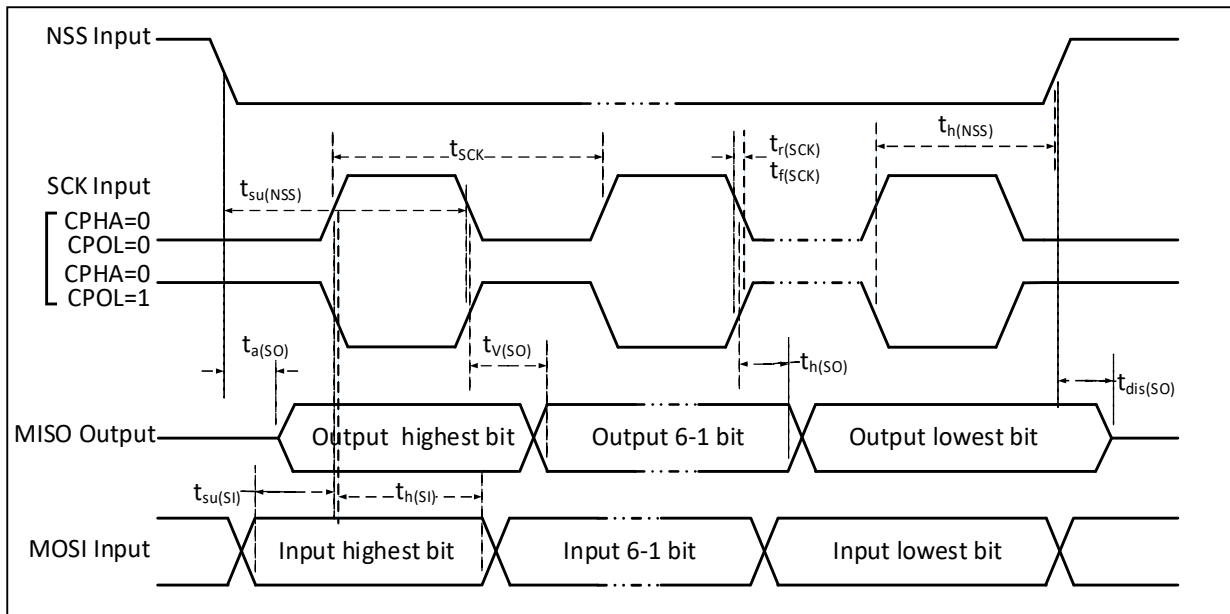


Table 4-25 SPI interface characteristics

Symbol	Parameter	Condition	Min.	Max.	Unit
f_{SCK}/t_{SCK}	SPI clock frequency	Master mode		36	MHz
		Slave mode		36	MHz
$t_{r(SCK)}/t_{f(SCK)}$	SPI clock rise and fall time	Load capacitance:C = 30pF		20	ns
$t_{su(NSS)}$	NSS setup time	Slave mode	$2t_{PCLK}$		ns
$t_{h(NSS)}$	NSS hold time	Slave mode	$2t_{PCLK}$		ns
$t_{w(SCKH)}/t_{w(SCKL)}$	SCK high and low time	Master mode, $f_{PCLK} = 36\text{MHz}$, Prescaler factor = 4	40	60	ns
$t_{su(MI)}$	Data input setup time	Master mode	5		ns

$t_{SU(SI)}$		Slave mode	5		ns
$t_{h(MI)}$	Data input hold time	Master mode	5		ns
$t_{h(SI)}$		Slave mode	4		ns
$t_{a(SO)}$	Data output access time	Slave mode, $f_{PCLK} = 20\text{MHz}$	0	$1t_{PCLK}$	ns
$t_{dis(SO)}$	Data output disable time	Slave mode	0	10	ns
$t_{V(SO)}$	Data output valid time	Slave mode (After enable edge)		25	ns
$t_{V(MO)}$		Master mode (After enable edge)		5	ns
$t_{h(SO)}$	Data output hold time	Slave mode (After enable edge)	15		ns
$t_{h(MO)}$		Master mode (After enable edge)	0		ns

4.3.15 USB Interface Characteristics

Table 4-26 USB characteristics

Symbol	Parameter	Condition	Min.	Max.	Unit
V_{DD}	USB operating voltage		3.0	3.6	V
V_{SE}	Single-ended receiver threshold	$V_{DD} = 3.3\text{V}$	1.2	1.9	V
V_{OL}	Static output low level			0.3	V
V_{OH}	Static output high level		2.8	3.6	V
V_{HSSQ}	High-speed suppression information detection threshold		100	150	mV
V_{HSDSC}	High-speed disconnection detection threshold		500	625	mV
V_{HSOI}	High-speed idle level		-10	10	mV
V_{HSOH}	High-speed data high level		360	440	mV
V_{HSOL}	High-speed data low level		-10	10	mV

4.3.16 12-bit ADC Characteristics

Table 4-27 ADC characteristics

Symbol	Parameter	Condition	Min.	Typ.	Max.	Unit
V_{DDA}	Supply voltage		2.4		3.6	V
V_{REF+}	Positive reference voltage	V_{REF+} cannot be more than V_{DDA}	2.4		V_{DDA}	V
I_{VREF}	Reference current			160	220	μA
I_{DDA}	Supply current			480	530	μA
f_{ADC}	ADC clock frequency				14	MHz
f_S	Sampling rate		0.05		1	MHz
f_{TRIG}	External trigger frequency				16	$1/f_{ADC}$
V_{AIN}	Conversion voltage range		0		V_{REF+}	V
R_{AIN}	External input impedance				50	$\text{k}\Omega$
R_{ADC}	Sampling switch resistance			0.6	1	$\text{k}\Omega$
C_{ADC}	Internal sample and hold capacitor			8		pF

t_{CAL}	Calibration time			100		$1/f_{ADC}$
t_{iat}	Injected trigger conversion latency				2	$1/f_{ADC}$
t_{iatr}	Regular trigger conversion latency				2	$1/f_{ADC}$
t_s	Sampling time		1.5		239.5	$1/f_{ADC}$
t_{STAB}	Power-on time				1	us
t_{CONV}	Total conversion time (including sampling time)		14		252	$1/f_{ADC}$

Note: Above parameters are guaranteed by design.

Formula: Maximum R_{AIN}

$$R_{AIN} < \frac{T_s}{f_{ADC} \times C_{ADC} \times \ln 2^{N+2}} - R_{ADC}$$

The above formula is used to determine the maximum external impedance so that the error can be less than 1/4 LSB. Where N=12 (representing 12-bit resolution).

Table 4-28 Maximum R_{AIN} when $f_{ADC} = 14\text{MHz}$

$T_s(\text{cycle})$	t_s (us)	Maximum $R_{AIN}(\text{k}\Omega)$
1.5	0.11	0.4
7.5	0.54	5.9
13.5	0.96	11.4
28.5	2.04	25.2
41.5	2.96	37.2
55.5	3.96	50
71.5	5.11	Invalid
239.5	17.1	Invalid

Table 4-29 ADC error

Symbol	Parameter	Condition	Min.	Typ.	Max.	Unit
EO	Offset error	$f_{PCLK2} = 56\text{ MHz},$ $f_{ADC} = 14\text{ MHz},$ $R_{AIN} < 10\text{ k}\Omega,$ $V_{DDA} = 3.3\text{V}$		± 4		LSB
ED	Differential nonlinearity error			± 0.5	± 3	
EL	Integral nonlinearity error			± 1	± 4	

C_p represents the parasitic capacitance on the PCB and the pad (about 5pF), which may be related to the quality of the pad and PCB layout. A larger C_p value will reduce the conversion accuracy, the solution is to reduce the f_{ADC} value.

Figure 4-12 ADC typical connection diagram

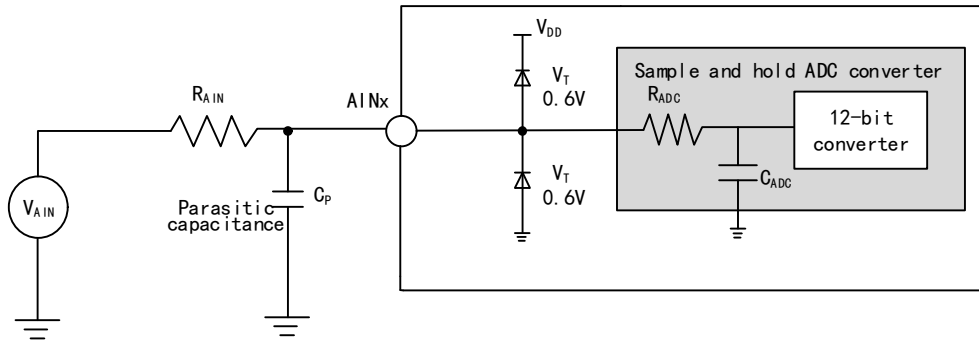
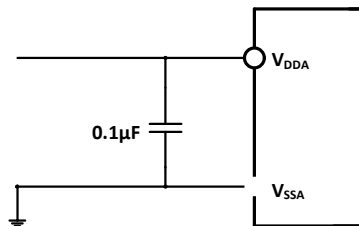


Figure 4-13 Analog power supply and decoupling circuit reference



4.3.17 Temperature Sensor Characteristics

Table 4-30 Temperature sensor characteristics

Symbol	Parameter	Condition	Min.	Typ.	Max.	Unit
R_{TS}	Measurement range of temperature sensor		-40		85	°C
A_{TSC}	Measurement range of temperature sensor after software calibration			±12		°C
Avg_Slope	Average slope (negative temperature coefficient)		3.8	4.3	4.7	mV/°C
V_{25}	Voltage at 25°C		1.34	1.40	1.46	V
T_{S_temp}	ADC sampling time when reading temperature	$f_{ADC} = 14\text{MHz}$			17.1	us

4.3.18 OPA Characteristics

Table 4-31 OPA characteristics

Symbol	Parameter	Condition	Min.	Typ.	Max.	Unit
V_{DDA}	Supply voltage		2.4	3.3	3.6	V
C_{MIR}	Common mode input voltage	Compatible with ADC	0		V_{DDA}	V
		Incompatible with ADC	0		3.3	V
$V_{IOFFSET}$	Input offset voltage			1.5	6	mV
I_{LOAD}	Drive current				600	uA
$I_{DDOPAMP}$	Current consumption	No load, static mode		195		uA
$C_{MRR}^{(1)}$	Common mode rejection ratio	@1KHz		96		dB

$P_{SRR}^{(1)}$	Power supply rejection ratio	@1KHz		86		dB
$A_V^{(1)}$	Open loop gain	$C_{LOAD}=5pF$		136		dB
$G_{BW}^{(1)}$	Unit gain bandwidth	$C_{LOAD}=5pF$		19		MHz
$P_M^{(1)}$	Phase margin	$C_{LOAD}=5pF$		93		
$S_R^{(1)}$	Slew rate limited	$C_{LOAD}=5pF$		8		V/us
$t_{WAKUP}^{(1)}$	Setup time from shutdown to wake up, 0.1%	Input $V_{DDA}/2$, $C_{LOAD}=5pF$, $R_{LOAD}=4k\Omega$			368	ns
R_{LOAD}	Resistive load		4			k Ω
C_{LOAD}	Capacitive load				50	pF
$V_{OHSAT}^{(2)}$	High saturation output voltage	$R_{LOAD}=4k\Omega$, input V_{DDA}	$V_{DDA}-45$			mV
		$R_{LOAD}=20k\Omega$, input V_{DDA}	$V_{DDA}-10$			
$V_{OLSAT}^{(2)}$	Low saturation output voltage	$R_{LOAD}=4k\Omega$, input 0			0.5	mV
		$R_{LOAD}=20k\Omega$, input 0			0.5	
$EN^{(1)}$	Equivalent input voltage noise	$R_{LOAD}=4k\Omega$, @1KHz		83		$\frac{nv}{\sqrt{Hz}}$
		$R_{LOAD}=4k\Omega$, @10KHz		42		

Note: 1. The source simulation is not a real measurement.

2. The load current limits the saturated output voltage.

Chapter 5 Package and Ordering Information

Packages

Package Form	Body size	Pin Pitch		Package Description	Order Model
TSSOP20	4.4*6.5mm	0.65mm	25.6mil	Thin Shrink Small Outline Package	CH32V203F6P6
TSSOP20	4.4*6.5mm	0.65mm	25.6mil	Thin Shrink Small Outline Package	CH32V203F8P6
QFN20	3*3mm	0.4mm	15.7mil	Quad Flat No-lead Package	CH32V203F8U6
QFN28	4*4mm	0.4mm	15.7mil	Quad Flat No-lead Package	CH32V203G6U6
QSOP28	3.9*9.9mm	0.635mm	25.0mil	Quarter Small Outline Package	CH32V203G8R6
LQFP32	7*7mm	0.8mm	31.5mil	Low Profile Quad Flat Pack	CH32V203K8T6
LQFP48	7*7mm	0.5mm	19.7mil	Low Profile Quad Flat Pack	CH32V203C6T6
LQFP48	7*7mm	0.5mm	19.7mil	Low Profile Quad Flat Pack	CH32V203C8T6
QFN48X7	7*7mm	0.5mm	19.7mil	Quad Flat No-lead Package	CH32V203C8U6
LQFP64M	10*10mm	0.5mm	19.7mil	Low Profile Quad Flat Pack	CH32V203RBT6

Note: All dimensions are in millimeters. The pin center spacing values are nominal values, with no error. Other than that, the dimensional error is not greater than the greater of $\pm 0.2\text{mm}$ or 10%.

Figure 5-1 TSSOP20 package

Figure 5-2 QFN20 package

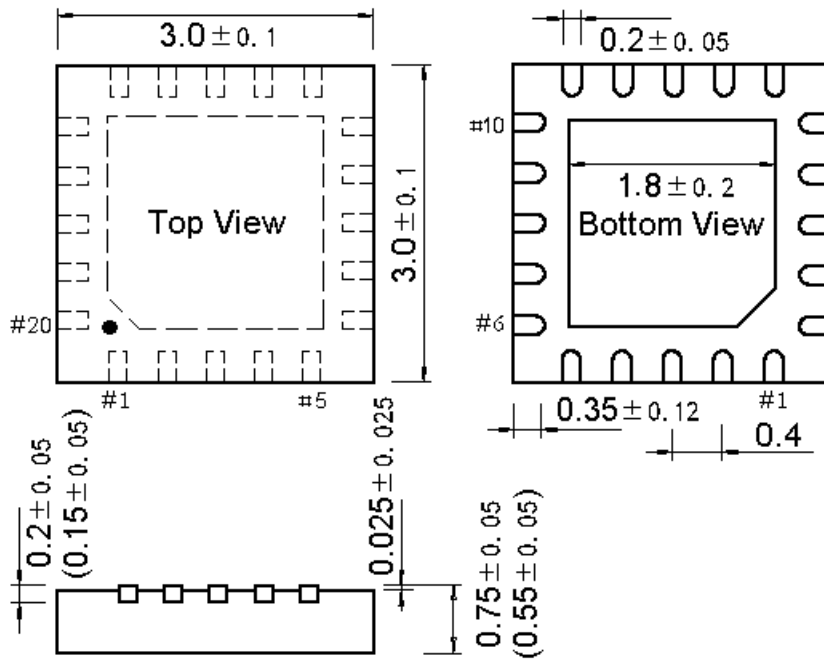


Figure 5-3 QFN28 package

Figure 5-4 QFN48X7 package

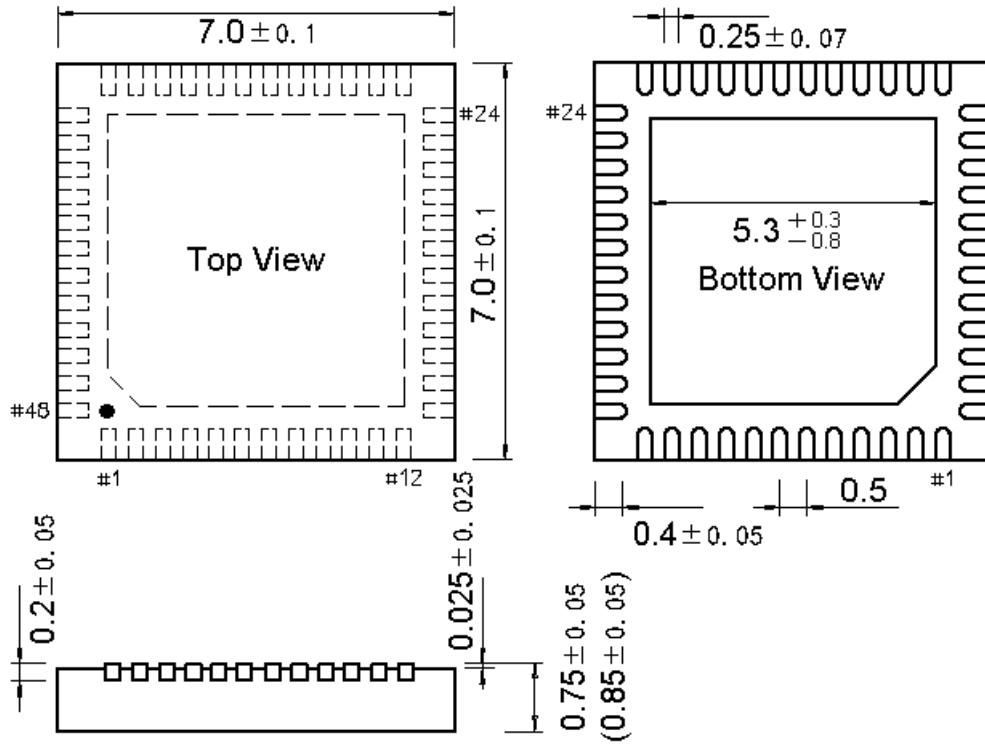


Figure 5-5 LQFP32 package

Figure 5-6 LQFP48 package

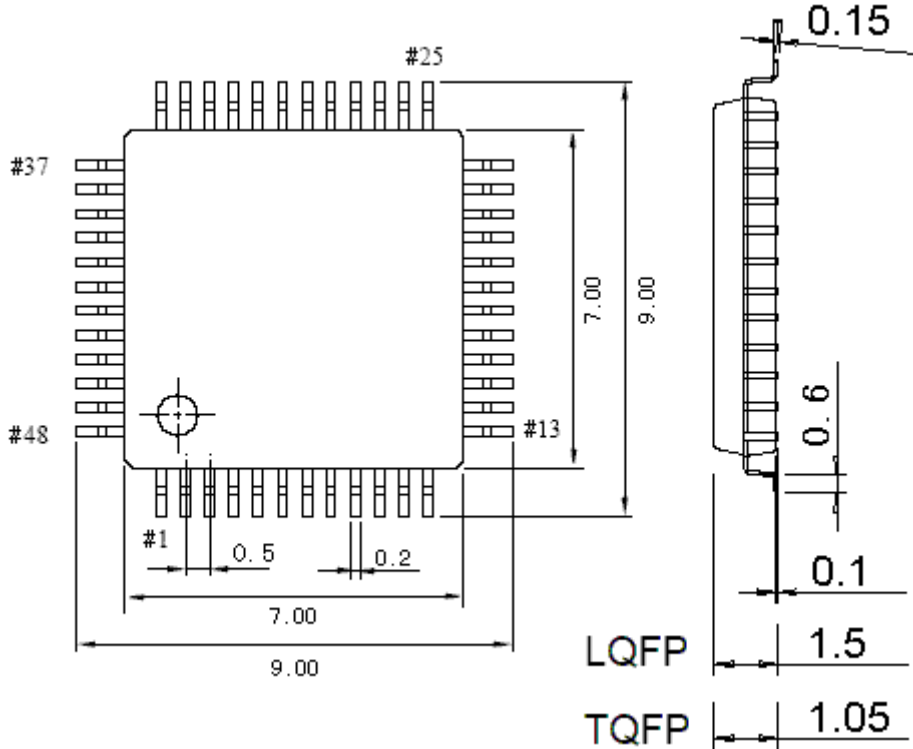


Figure 5-7 LQFP64M package

Figure 5-8 QSOP28 package

Series Product Naming Rules

Example:	CH32	V	3	03	R	8	T	6
Device family								
F = ARM-based, general-purpose MCU								
V = QingKe RISC-V-based, general-purpose MCU								
L = QingKe RISC-V-based, low power MCU								
X = QingKe RISC-V-based, Dedicated architecture or special IO								
Product type								
0 = QingKe V2/V4 core, main frequency @48M								
1 = M3/ QingKe V3/V4 core, main frequency @72M								
2 = M3/ QingKe V4 non-floating-point core, main frequency @144M								
3 = QingKe V4F floating-point core, main frequency @144M								
Device subfamily								
03 = General-purpose								
05 = Connectivity (USB high-speed, SDIO, dual CAN)								
07 = Interconnectivity (USB high-speed, dual CAN, Ethernet, DVP, SDIO, FSMC)								
08 = Wireless (BLE5.X, CAN, USB, Ethernet)								
35 = Connectivity (USB, USB PD)								
Pin count								
J = 8 pins	A = 16 pins	F = 20 pins						
G = 28 pins	K = 32 pins	T = 36 pins						
C = 48 pins	R = 64 pins	W = 68 pins						
V = 100 pins	Z = 144 pins							
Flash memory size								
4 = 16 Kbytes of Flash memory								
6 = 32 Kbytes of Flash memory								
7 = 48 Kbytes of Flash memory								
8 = 64 Kbytes of Flash memory								
B = 128 Kbytes of Flash memory								
C = 256 Kbytes of Flash memory								
Package								
T = LQFP	U = QFN	R = QSOP	P = TSSOP	M = SOP				
Temperature range								
6 = -40°C~85°C (industrial-grade)								
7 = -40°C~105°C (automotive-grade 2)								
3 = -40°C~125°C (automotive-grade 1)								
D = -40°C~150°C (automotive-grade 0)								