

Overview

CH32V006 is an industrial-grade general-purpose microcontroller based on the QingKe RISC-V core, which supports 48MHz system main frequency, with wide voltage, low-power consumption, 1- and 2-wire SDI and so on. CH32V006 has a built-in 12-bit ADC with a sampling rate of up to 3Msps, a built-in OPA that supports high-speed mode to increase the swing rate, and its P-end supports 3-channel polling; it provides 7-channel DMA controller, 8-channel touchkey, multi-set timer, 2 sets of USART, I2C, SPI and other rich peripheral resources.

Features

- **Core**
 - QingKe 32-bit RISC-V core, RV32EmC instruction set
 - Fast programmable interrupt controller + hardware interrupt stack
 - Support 2-level interrupt nesting
 - Support system main frequency 48MHz
- **Memory**
 - 8KB volatile data storage area SRAM
 - 62KB program memory CodeFlash
 - 3328B BootLoader
 - 256B non-volatile system configuration memory
 - 256B user-defined memory
- **Power management and low-power consumption**
 - System power supply V_{DD} : 2~5V
 - Low-power mode: Sleep, Standby
- **Clock & Reset**
 - Built-in factory-trimmed 24MHz RC oscillator
 - Built-in 128KHz RC oscillator
 - High-speed external 3~25MHz oscillator
 - Built-in system clock monitoring (SCM) module
 - Power on/down reset, programmable voltage detector
- **1 set of OPA/PGA/CMP:**
 - Multi-input channel, optional multi-stage gain
 - 2 output channels, optional ADC pin
 - P-side supports 3-channel polling
 - Support high-speed mode to increase swing rate
- **7-channel general-purpose DMA controller**
 - 7 channels, support ring buffer
 - Support TIMx/ADC/USART/I2C/SPI
- **12-bit ADC**
 - Analog input range: V_{SS} ~ V_{DD}
 - 8 external signals + 3 internal signals
 - Support 3M sampling rate
- **8-channel touchkey channel detection**
- **Multiple timers**
 - 16-bit advanced-control timer, with dead zone control and emergency brake; can offer PWM complementary output for motor control
 - 16-bit general-purpose timer, provide input capture/output comparison/PWM/pulse counting/incremental encoder input
 - 16-bit streamlined timer
 - 2 watchdog timers (independent and window)
 - SysTick: 32-bit counter
- **2 sets of USART**
 - Support LIN
- **I2C interface**
- **SPI interface**
- **Fast GPIO port**
 - 4 sets of GPIO ports, 31 I/O ports
 - Mapping 1 external interrupt
- **Security features: Chip unique ID**
- **Debug mode:**
 - Support 1-wire (default) and 2-wire serial debug interface (SDI)
- **Package: QFN, QSOP, TSSOP**

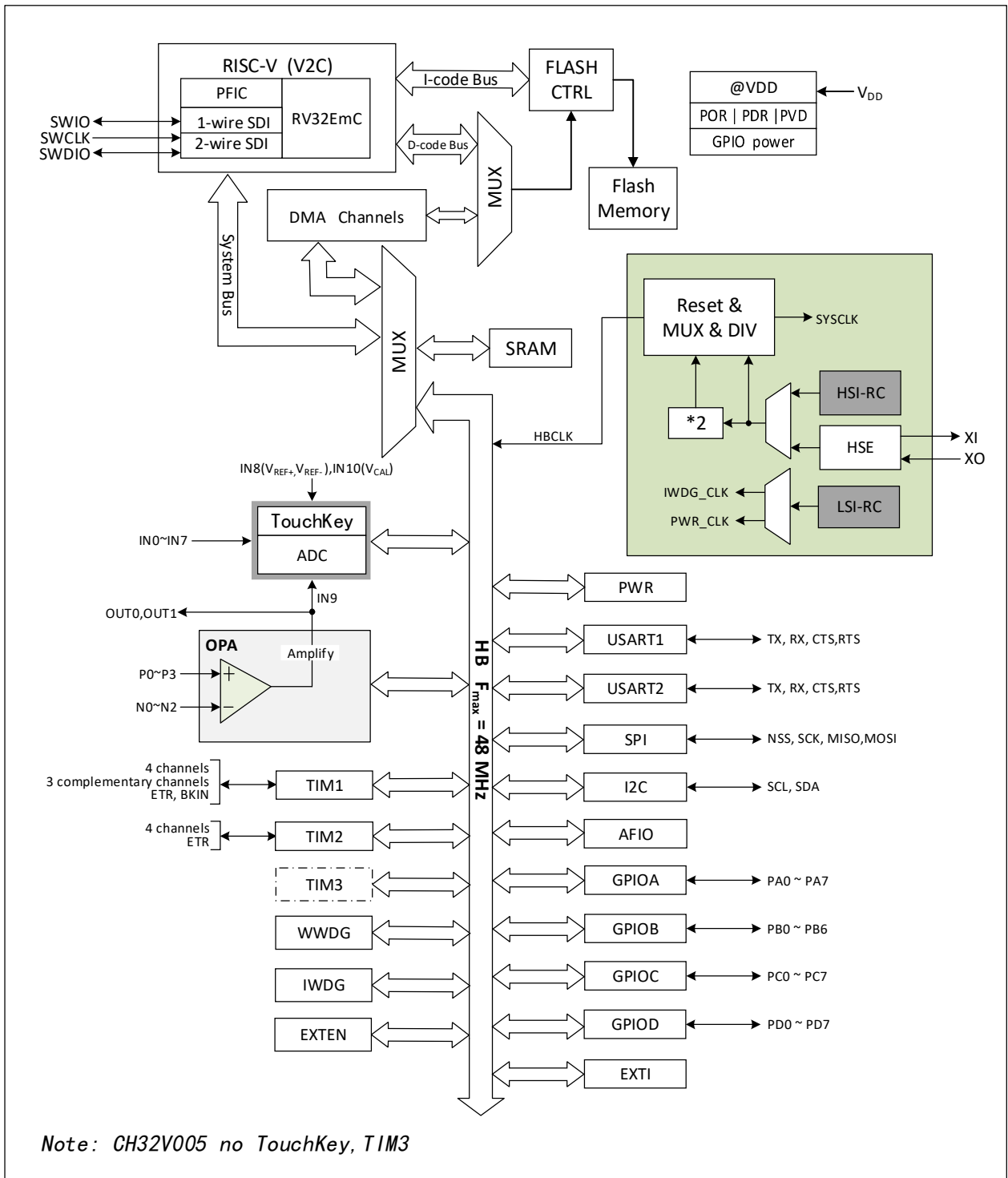
Model	Code Flash	RAM	GPIO	ADTM	GPTM	Streamlined timer	Watchdog	ADC	Capacitive touchkey	OPA	OPA polling	Serial port	I2C	SPI	Package form
CH32V006K8U6	62K	8K	31	1	1	1	2	8+3	8-channel	1	3-channel	2	1	1	QFN32
CH32V006E8R6	62K	8K	22	1	1	1	2	8+3	8-channel	1	3-channel	2	1	1	QSOP24
CH32V006F8U6	62K	8K	18	1	1	1	2	8+3	8-channel	1	3-channel	2	1	1	QFN20
CH32V006F8P6	62K	8K	18	1	1	1	2	8+3	8-channel	1	3-channel	2	1	1	TSSOP20
CH32V006F4U6	16K	4K	18	1	1	1	2	8+3	8-channel	-	-	1	1	1	QFN20
CH32V005E6R6	32K	6K	22	1	1	-	2	8+3	-	1	-	2	1	1	QSOP24
CH32V005F6U6	32K	6K	18	1	1	-	2	8+3	-	1	-	2	1	1	QFN20
CH32V005F6P6	32K	6K	18	1	1	-	2	8+3	-	1	-	2	1	1	TSSOP20
CH32V005D6U6	32K	6K	11	1	1	-	2	4+3	-	1	-	2	1	-	QFN12

Chapter 1 Specification Information

1.1 System Structure

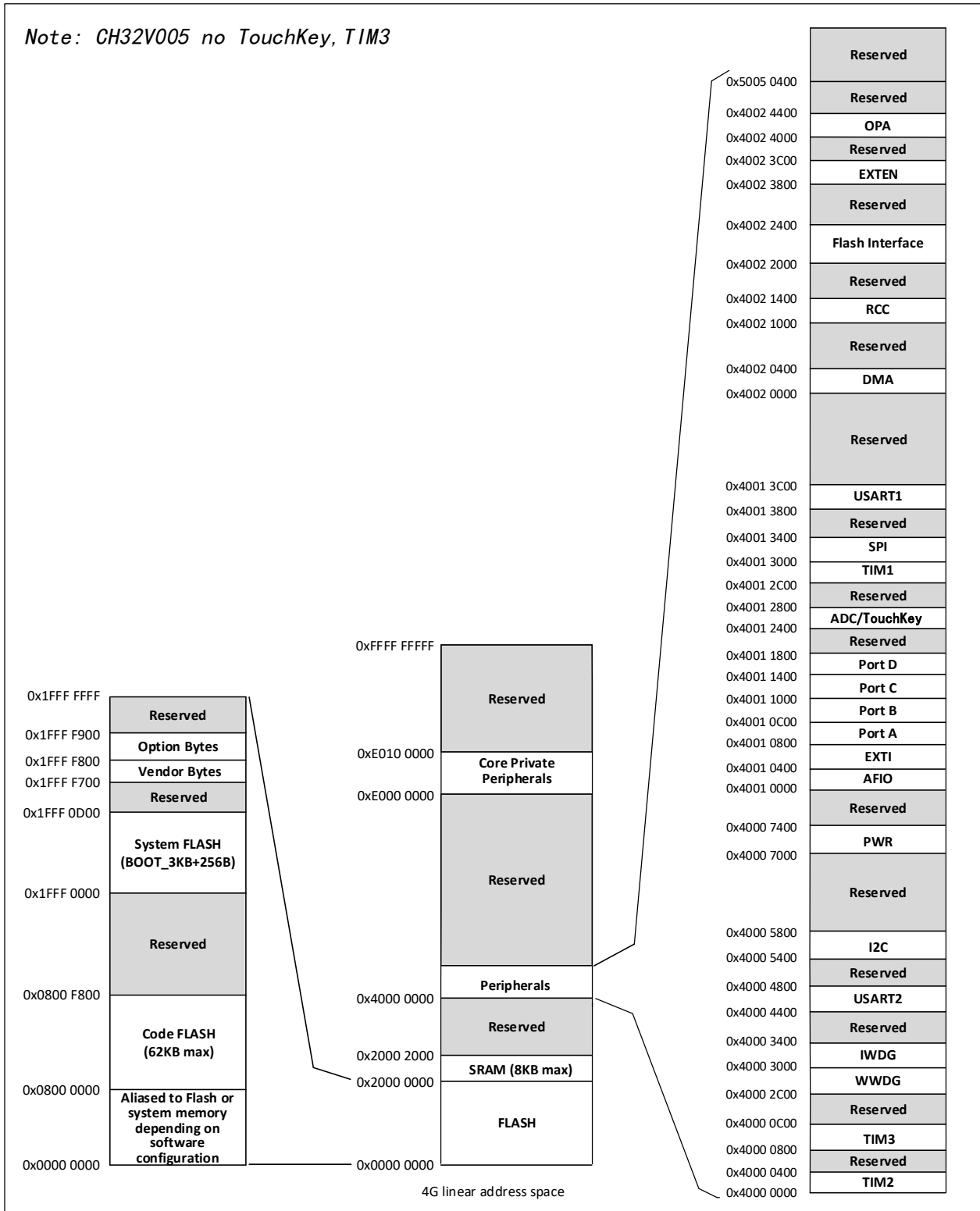
The microcontroller is based on the RISC-V instruction set design, its architecture will be QingKe microprocessor core, arbitration unit, DMA module, SRAM storage and other components through multiple buses to achieve interaction. The design integrates a general-purpose DMA controller to reduce the burden on the CPU, improve access efficiency. Multi-level clock management mechanism is applied to reduce the power consumption of peripherals, while both data protection mechanisms, automatic clock switching protection and other measures to increase system stability. The following diagram shows the overall architecture.

Figure 1-1 System block diagram



1.2 Memory Map

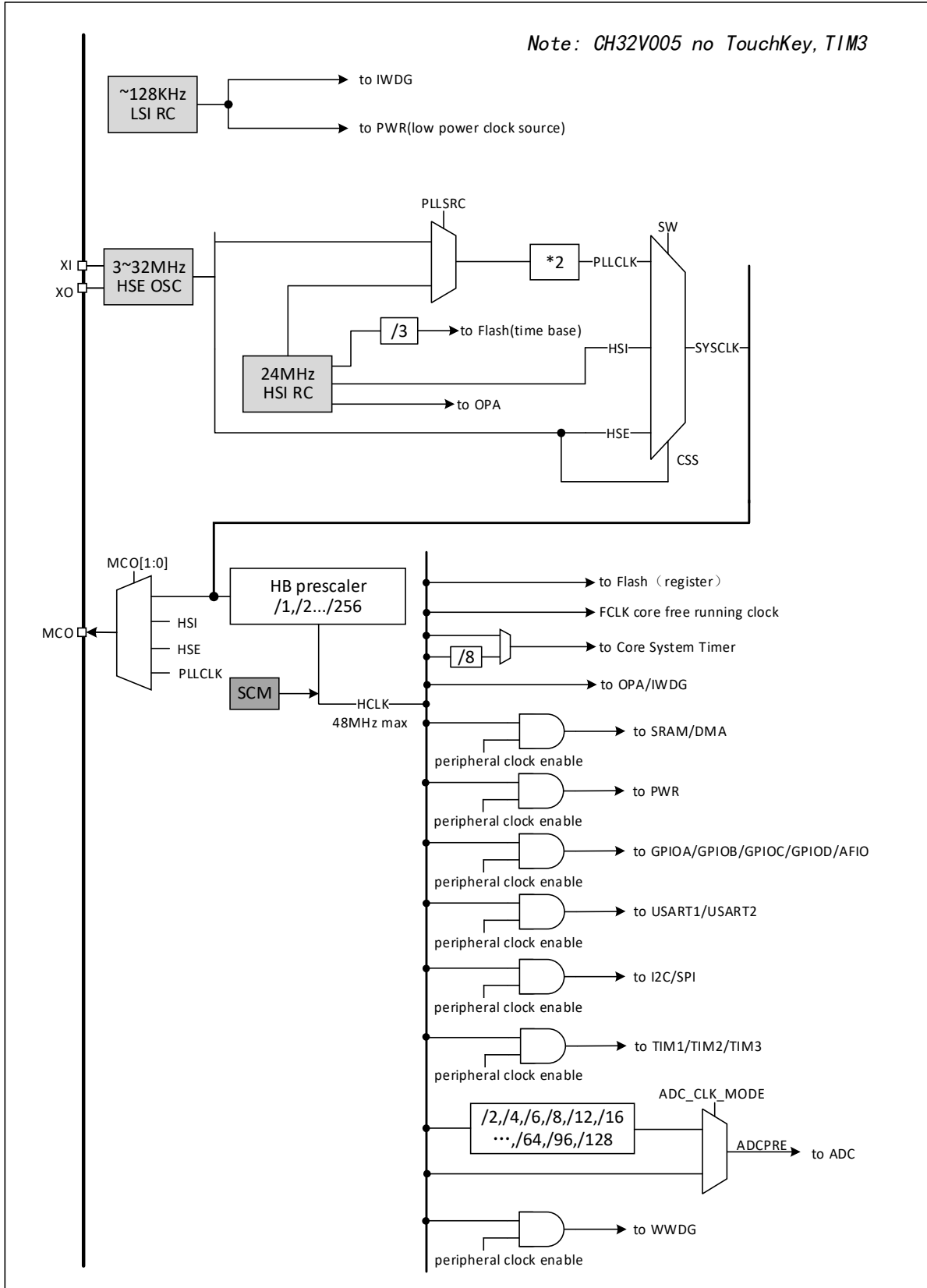
Figure 1-2 Memory address map



1.3 Clock Tree

3 sets of clock sources are introduced into the system: Internal high-frequency RC oscillator (HSI), internal low-frequency RC oscillator (LSI) and external high-frequency oscillator (HSE). Among them, the low-frequency clock source provides a clock reference for the automatic wake-up unit, and the high-frequency clock source is directly or indirectly output as the system bus clock (SYSCLK) through a 2x multiplier, and the system clock is then provided by the pre-scaler for the HB domain peripheral control clock and sampling or interface output clock. Part of the module working need to be provided by PLL clock directly.

Figure 1-3 Clock tree block diagram



1.4 Functional Description

1.4.1 QingKe RISC-V2A Processor

RISC-V2C supports RISC-V instruction set EmC(1) subset. The processor is internally managed in a modular fashion and contains units such as a programmable fast interrupt controller (PFIC), extended instruction support, and so on. The bus is connected to external unit modules to enable interaction between external function modules and the core.

QingKe processor with its minimalist instruction set, a variety of operating modes, modular customization and expansion features can be flexibly applied to different scenarios MCU design, such as small area low-power embedded scenarios.

- Support machine and user privileged modes
- Fast Programmable Interrupt Controller (PFIC)
- 2-level hardware interrupt stack
- Support 1-wire /2-wire serial debug interface (SDI)
- Custom extension instructions

Note: 1. The "m" extension in EmC implements the multiplication subset of the M extension.

1.4.2 On-chip Memory

Built-in 8K-byte SRAM area, which is used to store data, which is lost after power loss.

Built-in 62K-byte program flash memory area (Code FLASH), that is, the user area, is used for users' applications and constant data storage.

Built-in 3328-byte system storage area (System FLASH), that is, BOOT area, is used for system boot program storage (factory-solidified bootloader).

Built-in 256-byte system non-volatile configuration information storage area, used for manufacturer configuration word storage, solidified before leaving the factory, users can not be modified.

Built-in 256-byte user-defined information store for user option byte storage.

1.4.3 Power Supply Scheme

VDD = 2.0 ~ 5.5V: Supplies power to the I/O pins as well as the internal regulator; when using an ADC, VDD must not be less than 2.4V.

1.4.4 Reset Circuit

The chip integrates a power-on reset (POR)/power-off reset (PDR) circuit, which is always in a working state to ensure that the system works when the power supply is not less than 2.0V; when the V_{HV} is lower than the set threshold ($V_{POR/PDR}$), the device is placed in the reset state without the need to use an external reset circuit.

In addition, the system has a programmable voltage monitor (PVD), which needs to be turned on by software, to compare the magnitude of the voltage supplied by V_{DD} with the set threshold V_{PVD} . Turning on the corresponding edge interrupt of the PVD allows you to receive an interrupt notification when V_{DD} falls to the PVD threshold or rises to the PVD threshold. Refer to Chapter 3 for $V_{POR/PDR}$ and V_{PVD} values.

1.4.5 System Voltage Regulator LDO

After resetting, the system voltage regulator is automatically switched on. There are 2 modes of operation depending on the application mode.

- On mode: Normal running operation, providing stable core power.
- Low-power mode: Low-power operation of the regulator when the CPU is in Standby mode.

1.4.6 Low-power Mode

The system supports 3 low-power modes, which can achieve the best balance under the conditions of low-power consumption, short start-up time and multiple wake-up events.

- Sleep mode (SLEEP)

In sleep mode, only the CPU clock stops, but all peripheral clocks are powered normally and the peripherals are in working state. This mode is the shallowest low-power mode, but can achieve the fastest wake-up.

Exit condition: Any interruption or wake-up event.

- Standby mode (STANDBY)

A peripheral clock control mechanism is combined with the SLEEPDEEP of the core and allows the voltage regulator to operate in a lower power state. The high-frequency clock (HSI/HSE/PLL) domain is turned off, SRAM and register contents are maintained, and I/O pin states are maintained. The system can continue to run after this mode wakes up, with HSI as the default system clock.

Exit conditions: Any external interrupt / event (EXTI signal), external reset signal on RST, IWDG reset, in which EXTI signal includes one of 31 external I/O ports, AWU automatic wake-up, etc.

1.4.7 Programmable Fast Interrupt Controller (PFIC)

The chip has a built-in Programmable Fast Interrupt Controller (PFIC) that supports up to 255 interrupt vectors, providing flexible interrupt management with minimal interrupt latency. Currently the chip manages 4 core private interrupts and 25 peripheral interrupt management, with other interrupt sources reserved. the PFIC registers are all accessible in both user and machine privileged modes.

- 2 individually maskable interrupts
- Provide one non-maskable interrupt NMI
- Support Hardware Prologue/Epilogue (HPE) without instruction overhead
- Provide 2 Vector Table Free (VTF) for faster access to interrupt service routines
- Vector table support address or instruction mode
- Interrupt nesting depth can be configured up to 2 levels
- Support interrupt tail linking

1.4.8 External Interrupt/Event Controller (EXTI)

The external interrupt/event controller contains a total of 10 edge detectors for generating interrupt/event requests. Each interrupt line can be configured independently of its trigger event (rising or falling edge or double edge) and can be individually masked; a pending register maintains the status of all interrupt requests. EXTI can detect clock cycles with pulse widths less than the internal HB. Up to 31 general-purpose I/O ports are optionally connected to the same external interrupt line.

1.4.9 General-purpose DMA Controller

The system has built-in general-purpose DMA controller, manages seven channels, flexibly handles high-speed data transmission from memory to memory, peripheral to memory and memory to peripheral devices, and supports ring buffer mode. Each channel has special hardware DMA request logic, which supports one or more peripheral access requests to memory. Access priority, transmission length, source address and destination address of transmission can be configured.

DMA for the main peripherals include: general / advanced timer TIMx, ADC, USART, I2C, SPI.

Note: DMA and CPU access the system SRAM after arbitration by the arbitrator.

1.4.10 Clock and Boot

The system clock source HSI is on by default. After no clock is configured or reset, the RC oscillator of the internal 24MHz is used as the default CPU clock, and then the external 3~25MHz clock or PLL clock can be selected. When clock safe mode is turned on, if HSE is used as the system clock (directly or indirectly), if an external clock failure is detected, the system clock will automatically switch to the internal RC oscillator, while HSE and PLL will automatically turn off; for low-power mode with clock off, the system will also automatically switch to the internal RC oscillator after waking up. If the clock interrupt is enabled, the software can receive the corresponding interrupt.

In addition, in order to improve the reliability of the system, System Clock Monitor (SCM) module is added. When the enable bit is turned on, if the system clock fails, a brake signal will be generated to the advanced timer TIM1, and the system clock failure interrupt flag will be set. If the enable is interrupted in advance, the interrupt will be entered.

1.4.11 Analog-to-digital Converter (ADC) and Touchkey Capacitance Detection (Touchkey)

The chip has a built-in 12-bit ADC that provides up to 8 external channels and 3 internal channels for sampling at sampling rates up to 3Msps, providing programmable channel sampling time for single, continuous, scan or intermittent conversion. The analog watchdog function allows very accurate monitoring of one or more selected channels for monitoring the channel signal voltage, and when the voltage exceeds a set threshold, the system can be configured to generate a reset and protect the system.

The internal channel of ADC is ADC_IN8~ADC_IN10. The internal reference voltage V_{REF} is connected to the IN8 input channel; the OPA internal output channel is connected to the IN9 input channel for converting the output of the OPA into digital values.

The touchkey capacitance detection unit provides up to 8 detection channels and alternate external channels of the ADC module. The detection results are converted into output results through the ADC module, and the touchkey state is identified by the touch detection algorithm subroutine library or user software.

1.4.12 Timer and Watchdog

- Advanced-control timer (TIM1)

The advanced-control timer is a 16-bit automatic load increment / decrement counter with a 16-bit programmable prescaler. In addition to the complete general timer function, it can be regarded as a three-phase PWM generator assigned to 6 channels, with a complementary PWM output function with dead-zone insertion, allowing the timer

to be updated after a specified number of counter cycles for repeated counting cycles, braking functions, etc. Advanced control timers have the same functions as general timers and have the same internal structure, so advanced control timers can cooperate with other TIM timers through timer linking function to provide synchronization or event linking functions.

- General-purpose timer (TIM2)

The general-purpose timer is a 16-bit auto-load add / subtract counter with a programmable 16-bit prescaler and four independent channels, each of which supports input capture, output comparison, PWM generation and mono-pulse mode output. By alternate channels 3 and 4, channels 1 and 2 also have complementary PWM output with dead-time insertion. In addition, it can work with the advanced-control timer TIM1 through the timer linking function to provide synchronization or event linking functions. In debug mode, counters can be frozen and any general-purpose timer can be used to generate PWM output.

- Streamlined timer (TIM3)

The streamlined timer is a 16-bit autoloading add / subtract counter that supports four independent comparison channels and output comparisons. It is used in conjunction with other functions by generating signals inside the chip. Can work with advanced-control timer TIM1 through timer link function, can generate pulses of specific frequency with TIM1, and provide synchronization or event link function. Counters can be frozen in debug mode.

- Independent watchdog (IWDG)

Independent watchdog is a free-running 12-bit decreasing counter that supports 7 frequency division coefficients. The clock is provided by an internally independent RC oscillator (LSI) of about 128KHz; the LSI is independent of the master clock and can operate in standby mode. IWDG works completely independently of the main program, so it is used to reset the entire system in the event of a problem, or to provide timeout management for applications as a free timer. The option byte can be configured as a software or hardware startup watchdog. Counters can be frozen in debug mode.

- Window watchdog (WWDG)

Window watchdog is a 7-bit decrement counter and can be set to run freely. Can be used to reset the entire system when a problem occurs. It is driven by the main clock and has the function of early warning interrupt; in debug mode, the counter can be frozen.

- SysTick Timer (SysTick)

QingKe microprocessor core comes with a 32-bit incremental counter for generating SYSTICK exceptions (Exception number: 15), which can be specially used in real-time operating systems to provide "heartbeat" rhythm for the system, and can also be used as a standard 32-bit counter. It has automatic reload function and programmable clock source.

1.4.13 Universal Synchronous/Asynchronous Receiver Transmitter (USART)

The chip provides 2 sets of USART. Support full-duplex asynchronous serial communication and half-duplex single-wire communication, also support LIN (Local Internet), compatible with IrDA SIR ENDEC transmission codec specification, and modem (CTS/RTS hardware flow control) operation, but also support multiprocessor

communication. It adopts fractional baud rate generator system and supports continuous communication of DMA operation.

1.4.14 Serial Peripheral Interface (SPI)

The chip provides a serial peripheral SPI interface, which supports master or slave operation and dynamic switching. Support multi-master mode, full-duplex or half-duplex synchronous transmission, support basic SD card and MMC mode. Programmable clock polarity and phase, data bit width provides 8- or 16-bit choice, reliable communication hardware CRC generation / check, support DMA operation continuous communication.

1.4.15 I2C Bus

The chip provides an I2C bus interface, which can work in multi-host mode or slave mode, and complete all I2C bus specific timing, protocol, arbitration and so on. Both standard and fast communication speeds are supported.

The I2C interface provides 7-bit or 10-bit addressing and supports double-slave address addressing in 7-bit slave mode. Built-in hardware CRC generator / verifier.

1.4.16 General-purpose Input and Output (GPIO)

The system provides 4 sets of GPIO ports (PA0~PA7, PB0~PB6, PC0~PC7, PD0~PD7) with a total of 31 GPIO pins. Most pins can be configured by software to output (Push-pull or open-drain), input (With or without pull-up or pull-down), or reused peripheral function ports.

When PA1 and PA2 are crystal pins, i.e., PA1PA2_RM = 1, PA1 and PA2 cannot be used for GPIO functions.

All GPIO pins support controllable pull-up and pull-down resistors. When PD7, PA7 and PC5 are used as reset pins, the pull-up resistor is turned on and the pull-down resistor is turned off by default.

All GPIO pins are shared with digital or analog alternate peripherals. All GPIO pins have a large current drive capability. A locking mechanism is provided to freeze the I/O configuration to avoid accidental writing to the I/O register.

The power supply of all the I/O pins in the system is provided by the V_{DD}. By changing the V_{DD} power supply, the output level of the I/O pin will be changed to adapt to the external communication interface level. Please refer to the pin description for the specific pin.

1.4.17 Operational Amplifier/Comparator (OPA)

The chip has a built-in operational amplifier (OPA), which can also be used as a voltage comparator. its input can select multiple channels by changing the configuration, including the selection of magnification of the programmable gain operational amplifier (PGA). The P-side supports 3-channel polling. Its output can select two output pins by changing the configuration, and an additional internal output channel is directly connected to the ADC internal channel IN9, which supports the external analog small signal amplification into the ADC to achieve small signal ADC conversion. High-speed mode is supported, and the pendulum rate can be increased by setting high-speed mode.

1.4.18 Serial Debug Interface (SDI)

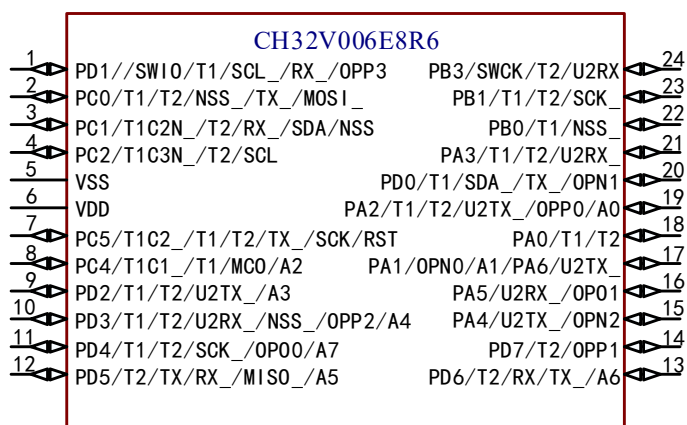
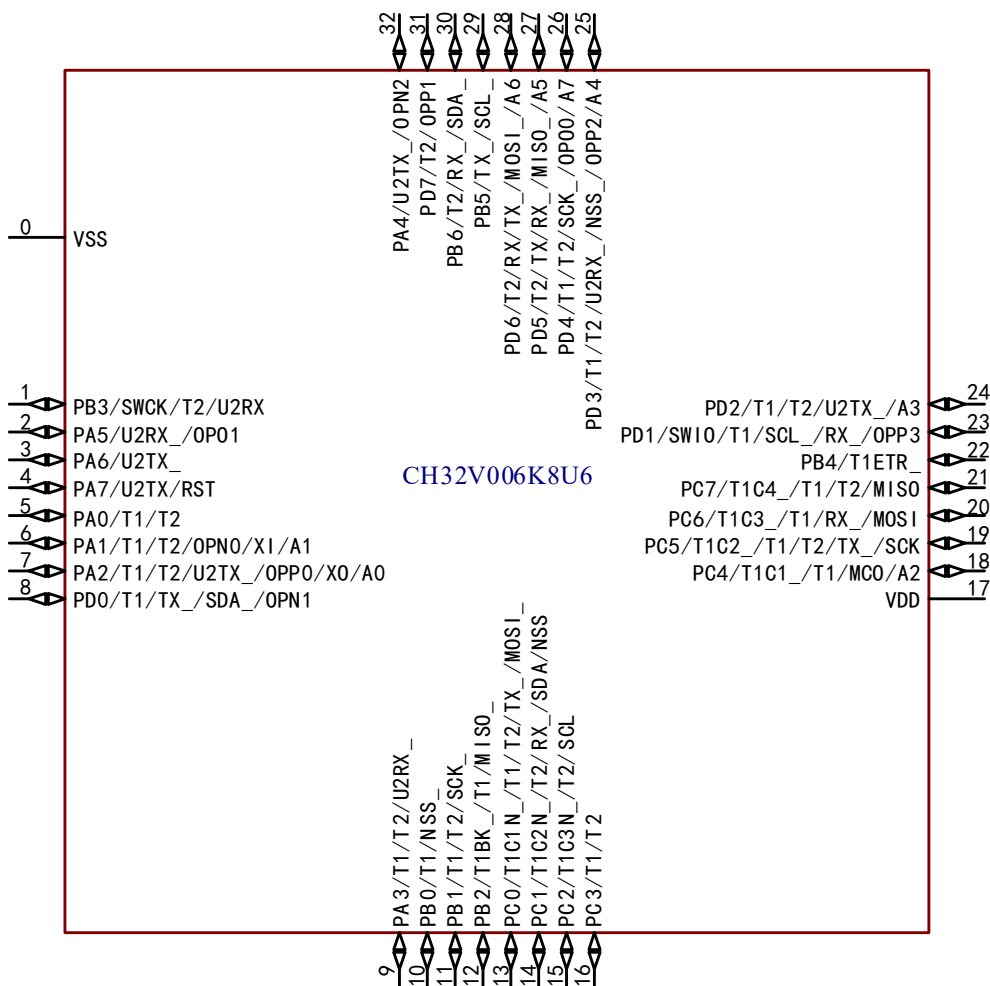
The core comes with 1-wire SDI Serial Debug Interface and 2-wire SDI Serial Debug Interface. The system

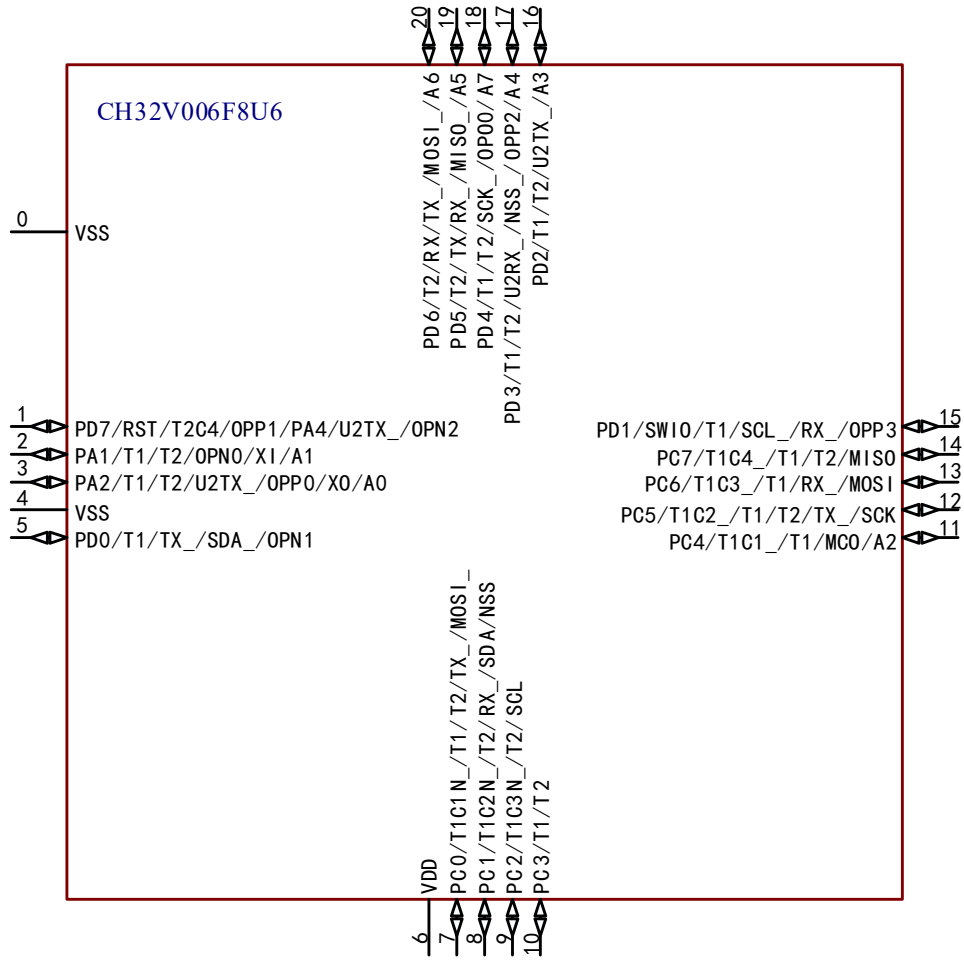
supports 2 debugging modes: 1-wire SDI is the default debugging mode, which corresponds to SWIO pin (Single Wire Input Output), while 2-wire SDI corresponds to SWDIO and SWCLK pin, which can be used to increase the speed when applying to download. The debug interface pin function is turned on by default after the system is powered on or reset, and the SDI can be turned off according to the need after the main program is running. The HSI clock must be turned on when using the 1-wire emulation debug interface.

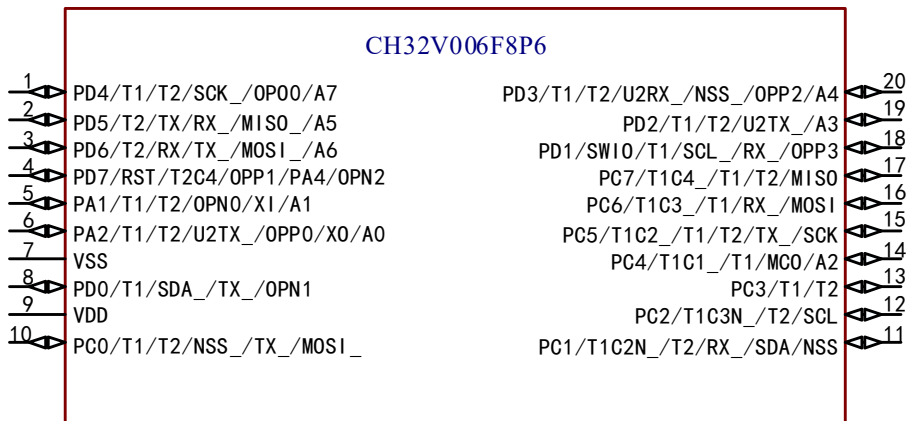
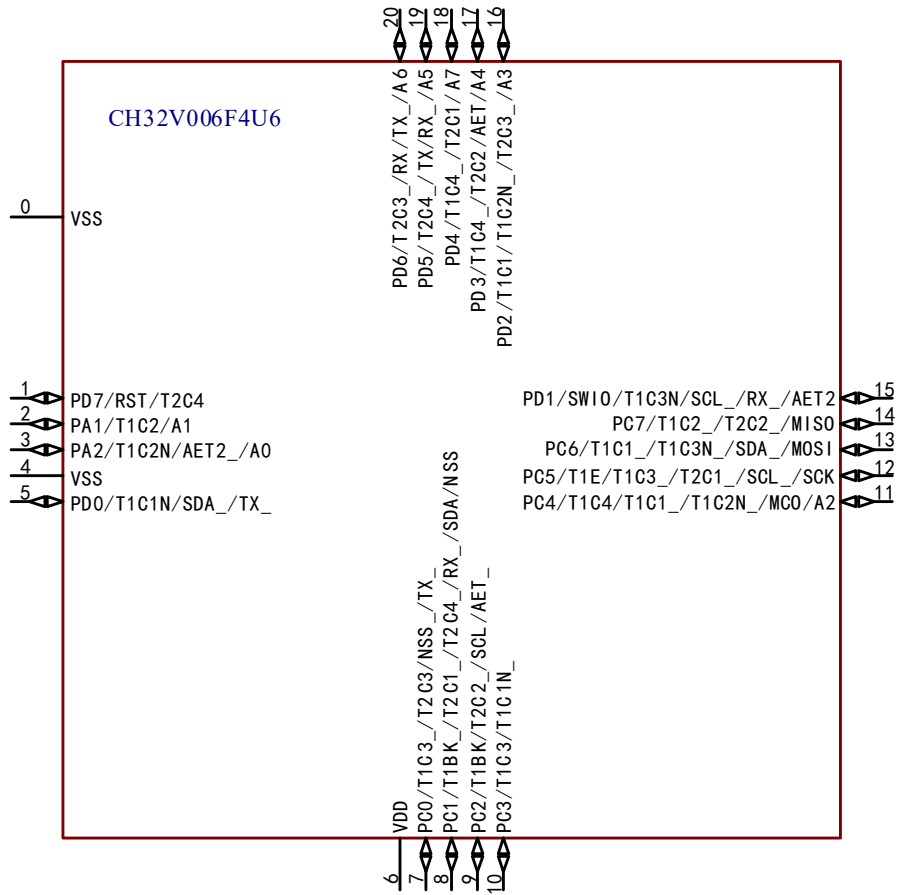
Chapter 2 Pinouts and Pin Definition

2.1 Pinouts

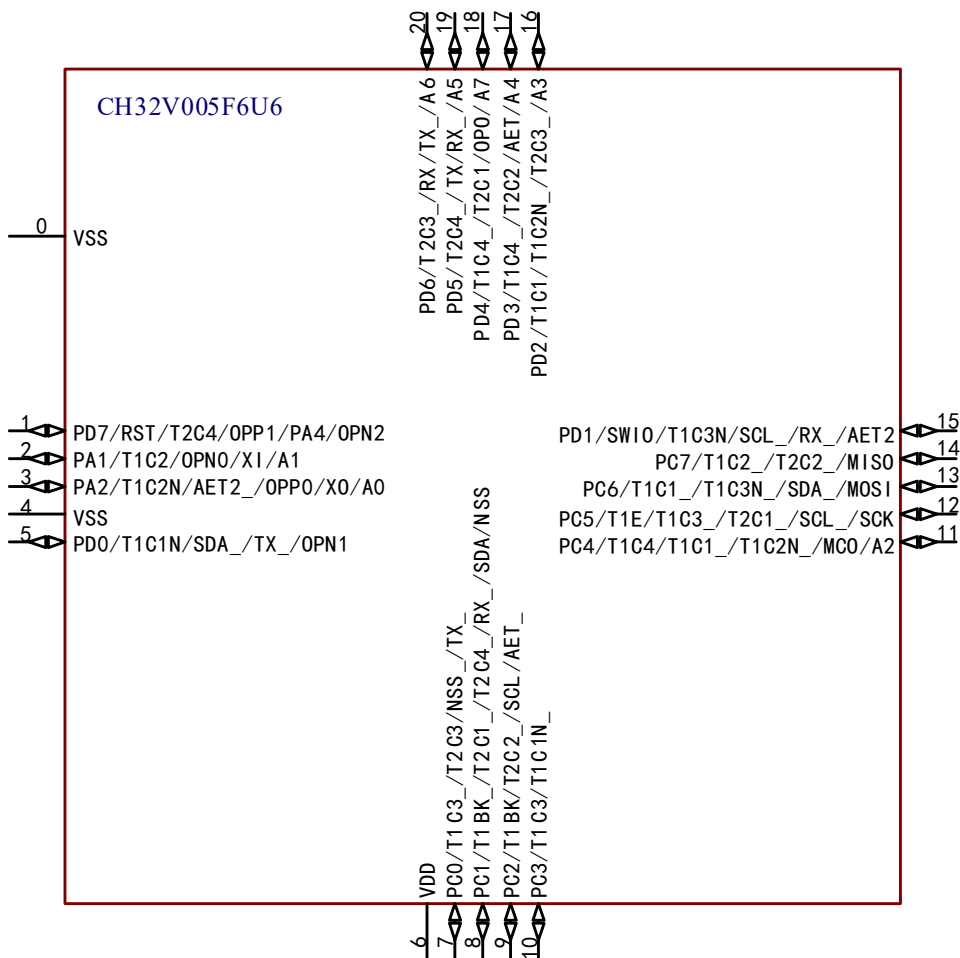
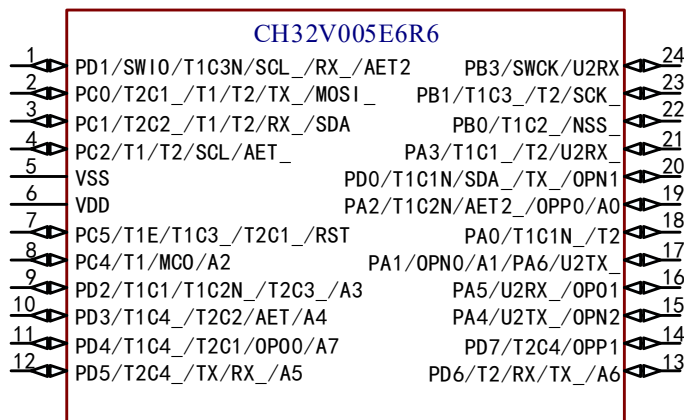
2.1.1 CH32V006 Pinouts

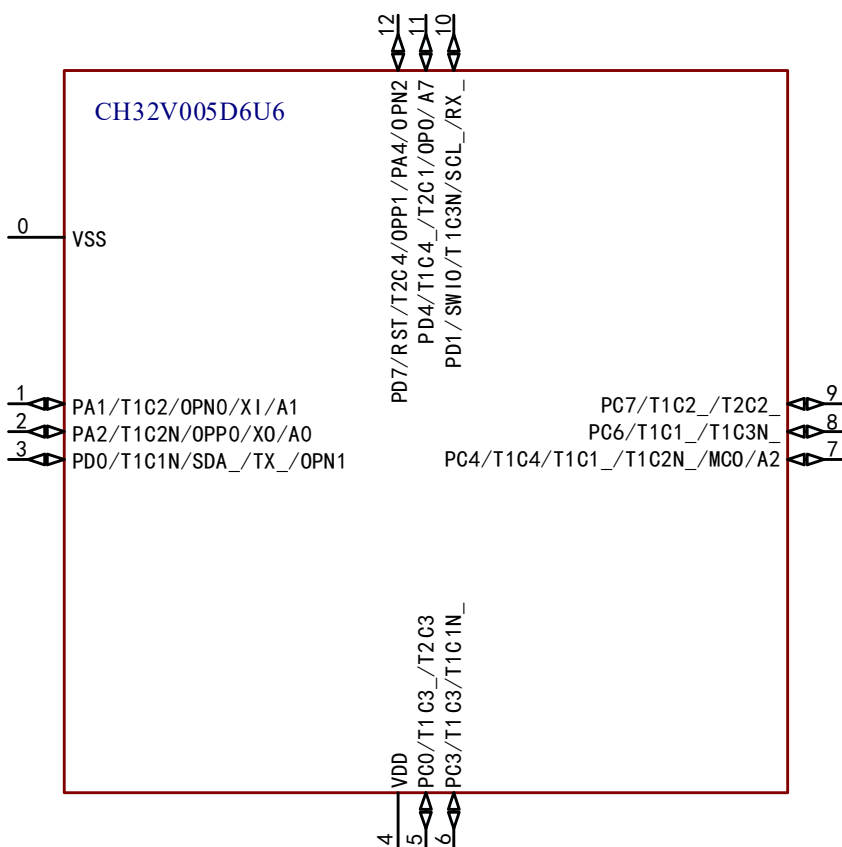
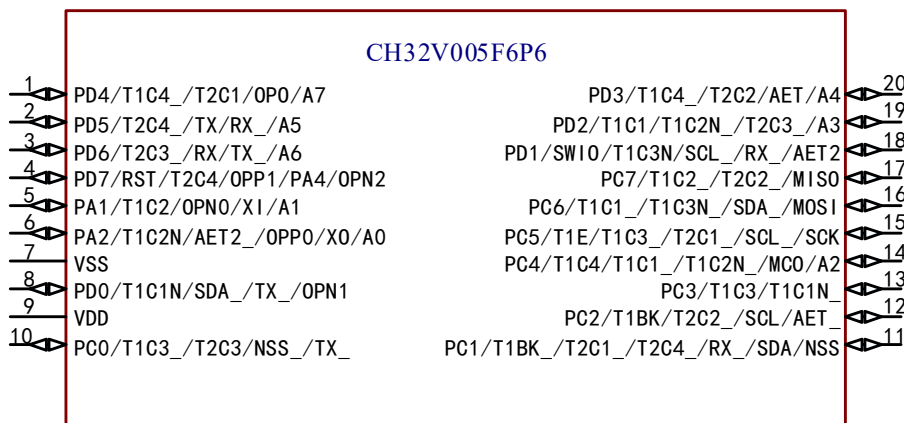






2.1.2 CH32V005 Pinouts





Note: The alternate functions in the pin diagram are abbreviated.

Example: A:ADC_ (A1:ADC_IN1、 AET:ADC_RETR、 AET2:ADC_IETR)

T1: TIM1_ (T1C1:TIM1_CH1、 T1C1N:TIM1_CH1N、 T1BK:TIM1_BKIN、 T1E:TIM1_ETR)

T2: TIM2_ (T2C1:TIM2_CH1_ETR、 T2C2:TIM2_CH2)

USART1_ (RX:USART1_RX、 TX:USART1_TX)

U2: USART2_ (U2RX:USART2_RX、 U2TX:USART2_TX)

O: OPA_ (OPP0:OPA_P0、 OPNO:OPA_NO、 OPO1:OPA_OUT1、 OPO:OPA_OUT0)

I2C_ (SDA:I2C_SDA、 SCL:I2C_SCL)

SPI_ (SCK:SPI_SCK、 NSS:SPI_NSS、 MISO:SPI_MISO、 MOSI:SPI_MOSI)

SWIO: SWIO/SWDIO

SWCK: SWCLK

2.2 Pin Definitions

Note: The pin function descriptions in the table below are for all functions and do not relate to specific model products. Peripheral resources may vary between models, so please check the availability of this function according to the product model resource table before viewing.

Table 2-1-1 CH32V006 Pin definitions (Exclude CH32V006F4U6)

Pin No.				Pin name	Pin type ⁽¹⁾	Main function (after reset)	Default alternate function	Remapping function ⁽²⁾
V006F8P6	V006F8U6	V006E8R6	V006K8U6					
7	0 4	5	0	V _{SS}	P	V _{SS}		
-	-	24	1	PB3	I/O	PB3	USART2_RX/SWCLK	TIM1_BKIN_4/TIM1_BKIN_5/ USART1_TX_5/USART1_RX_4/ USART2_RTS_1/USART2_RTS_6/ I2C_SCL_4/SPI_MISO_2
-	-	16	2	PA5	I/O/A	PA5	USART2_RTS/OPA_OUT1	USART1_RTS_4/USART1_RTS_5/ USART2_RX_1/USART2_RX_6
-	-	17	3	PA6 ⁽³⁾	I/O	PA6		USART2_TX_6
-	-	-	4	PA7 ⁽⁵⁾	I/O	PA7	USART2_TX/RST	TIM1_BKIN_6/USART2_CTS_1/ USART2_CTS_6
-	-	18	5	PA0	I/O	PA0		TIM1_CH1_9/TIM1_CH1N_4/ TIM1_CH1N_5/TIM1_CH1N_6/ TIM2_CH1_ETR_5/USART1_TX_8/ USART1_TX_9/USART2_CTS_2/ USART2_CTS_3
5	2	17	6	PA1 ⁽³⁾	I/O/A	PA1	ADC_IN1/TIM1_CH2/ OPA_N0	XI/TIM1_CH2_1/ TIM1_CH2_9/TIM2_CH2_5/ TIM2_CH2_6/USART1_RX_8/ USART2_RTS_2/USART2_RTS_3/

Pin No.				Pin name	Pin type ⁽¹⁾	Main function (after reset)	Default alternate function	Remapping function ⁽²⁾
V006F8P6	V006F8U6	V006E8R6	V006K8U6					
								USART2_RTS_4/USART2_RTS_5/ SPI_SCK_5
6	3	19	7	PA2	I/O/A	PA2	ADC_IN0/TIM1_CH2N/ OPA_P0	XO/TIM1_CH3_9/ TIM1_CH2N_1/TIM1_CH2N_4/ TIM1_CH2N_5/TIM1_CH2N_6/ TIM2_CH3_5/TIM2_CH3_6/ TIM2_CH3_7/USART2_TX_2/ SPI_MOSI_5/ADC_IETR_1
8	5	20	8	PD0	I/O/A	PD0	TIM1_CH1N/OPA_N1	TIM1_CH1N_1/TIM1_CH3N_4/ TIM1_CH3N_5/TIM1_CH3N_6/ USART1_TX_2/I2C_SDA_1
-	-	21	9	PA3	I/O	PA3		TIM1_CH1_4/TIM1_CH1_5/ TIM1_CH1_6/TIM1_CH4_9/ TIM1_CH1N_8/TIM2_CH4_5/ TIM2_CH4_6/TIM2_CH4_7/ USART2_RX_2
-	-	22	10	PB0	I/O	PB0		TIM1_CH2_4/TIM1_CH2_5/ TIM1_CH2_6/TIM1_CH2N_8/ USART2_TX_4/SPI_NSS_3/
-	-	23	11	PB1	I/O	PB1		TIM1_CH3_4/TIM1_CH3_6/ TIM1_CH3N_8/TIM2_CH1_ETR_6/ USART2_RX_4/SPI_SCK_3
-	-	-	12	PB2	I/O	PB2		TIM1_CH4_6/TIM1_BKIN_7/ TIM1_BKIN_8/TIM1_BKIN_9/ SPI_MISO_3

Pin No.				Pin name	Pin type ⁽¹⁾	Main function (after reset)	Default alternate function	Remapping function ⁽²⁾
V006F8P6	V006F8U6	V006E8R6	V006K8U6					
10	7	2	13	PC0	I/O	PC0	TIM2_CH3	TIM1_CH3_2/TIM1_CH1N_7/ TIM1_CH1N_9/TIM2_CH1_ETR_4/ TIM2_CH3_1/USART1_TX_3/ SPI_NSS_1/SPI_MOSI_3
11	8	3	14	PC1	I/O	PC1	I2C_SDA/SPI_NSS	TIM1_CH2N_7/TIM1_CH2N_9/ TIM1_BKIN_2/TIM1_BKIN_3/ TIM2_CH1_ETR_1/ TIM2_CH1_ETR_3/TIM2_CH2_4/ TIM2_CH4_2/USART1_RX_3/ SPI_NSS_5
12	9	4	15	PC2	I/O/A	PC2	TIM1_BKIN/USART1_RT S/ I2C_SCL	TIM1_CH3N_7/TIM1_CH3N_9/ TIM2_CH2_2/USART1_RTS_2/ TIM1_BKIN_1/TIM1_ETR_3/ ADC_RETR_1
13	10	-	16	PC3	I/O	PC3	TIM1_CH3	TIM1_CH3_1/TIM1_CH3_5/ TIM1_CH1N_2/TIM1_CH1N_3/ TIM2_CH3_4/USART1_CTS_2
9	6	6	17	V _{DD}	P	V _{DD}		
14	11	8	18	PC4	I/O/A	PC4	ADC_IN2/TIM1_CH4/MC O	TIM1_CH1_3/TIM1_CH1_7/ TIM1_CH1_8/TIM1_CH4_1/ TIM1_CH2N_2/USART1_RX_9/ USART2_TX_5/SPI_NSS_2/ SPI_NSS_6
15	12	7	19	PC5 ⁽⁵⁾	I/O	PC5	TIM1_ETR/SPI_SCK/RST	TIM1_CH2_7/TIM1_CH2_8/ TIM1_CH3_3/TIM1_ETR_2/

Pin No.				Pin name	Pin type ⁽¹⁾	Main function (after reset)	Default alternate function	Remapping function ⁽²⁾
V006F8P6	V006F8U6	V006E8R6	V006K8U6					
								TIM2_CH1_ETR_2/USART1_TX_6/ I2C_SCL_2/SPI_SCK_1
16	13	-	20	PC6	I/O	PC6	SPI_MOSI	TIM1_CH1_2/TIM1_CH3_7/ TIM1_CH3_8/TIM1_CH3N_3/ USART1_RX_6/USART1_CTS_1/ USART1_CTS_3/SPI_MOSI_1/ I2C_SDA_2
17	14	-	21	PC7	I/O	PC7	SPI_MISO	TIM1_CH2_2/TIM1_CH2_3/ TIM1_CH4_7/TIM1_CH4_8/ TIM2_CH2_3/USART1_CTS_6/ USART1_CTS_7/USART1_RTS_1/ USART1_RTS_3/SPI_MISO_1/ SPI_MISO_6
-	-	-	22	PB4	I/O	PB4		TIM1_ETR_7/TIM1_ETR_8/ TIM1_ETR_9/USART1_RTS_6/ USART1_RTS_7/SPI_MOSI_6
18	15	1	23	PD1	I/O/A	PD1	TIM1_CH3N/SWIO/SWDI O/ OPA_P3/ADC_IETR	TIM1_CH4_4/TIM1_CH4_5/ TIM1_CH3N_1/TIM1_CH3N_2/ USART1_TX_4/USART1_RX_2/ USART1_RX_5/USART2_RX_5/ I2C_SCL_1/I2C_SDA_4
19	16	9	24	PD2	I/O/A	PD2	ADC_IN3/TIM1_CH1	TIM1_CH1_1/TIM1_CH2N_3/ TIM2_CH3_2/USART1_CTS_8/ USART2_TX_3/SPI_SCK_2
20	17	10	25	PD3	I/O/A	PD3	ADC_IN4/TIM2_CH2/	TIM1_CH4_2/TIM2_CH1_ETR_7/

Pin No.				Pin name	Pin type ⁽¹⁾	Main function (after reset)	Default alternate function	Remapping function ⁽²⁾
V006F8P6	V006F8U6	V006E8R6	V006K8U6					
							USART1_CTS/OPA_P2/ ADC_RETR	TIM2_CH2_1/USART1_RTS_8/ USART2_RX_3/SPI_NSS_4/ SPI_MOSI_2
1	18	11	26	PD4	I/O/A	PD4	ADC_IN7/TIM2_CH1_ET R/ OPA_OUT0	TIM1_CH4_3/TIM1_ETR_1/ TIM1_ETR_4/TIM1_ETR_5/ TIM1_ETR_6/TIM2_CH2_7/ USART1_RTS_9/SPI_SCK_4
2	19	12	27	PD5	I/O/A	PD5	ADC_IN5/USART1_TX	TIM2_CH4_3/USART1_RX_1/ USART1_CTS_9/SPI_MISO_4
3	20	13	28	PD6	I/O/A	PD6	ADC_IN6/USART1_RX	TIM2_CH3_3/USART1_TX_1/ SPI_MOSI_4
-	-	-	29	PB5	I/O	PB5		USART1_TX_7/I2C_SCL_3/ SPI_SCK_6/SPI_MISO_5
-	-	-	30	PB6	I/O	PB6		TIM2_CH4_4/USART1_RX_7/ USART2_CTS_4/I2C_SDA_3
4	1	14	31	PD7 ⁽⁴⁾ (5)	I/O/A	PD7	TIM2_CH4/RST/OPA_P1	TIM2_CH4_1/USART1_CTS_4/ USART1_CTS_5
		15	32	PA4 ⁽⁴⁾	I/O/A	PA4	USART2_CTS/OPA_N2	USART2_TX_1/USART2_CTS_5

Table 2-1-2 CH32V006F4U6 Pin definitions

Pin No.	Pin name	Pin type ⁽¹⁾	Main function (after reset)	Default alternate function	Remapping function ⁽²⁾
V006F4U6					
0	V _{SS}	P	V _{SS}		
4					
18	PD4	I/O/A	PD4	ADC_IN7/TIM2_CH1_ETR	TIM1_CH4_3/TIM1_ETR_1/ TIM1_ETR_4/TIM1_ETR_5/ TIM1_ETR_6/TIM2_CH2_7/ USART1_RTS_9/SPI_SCK_4
19	PD5	I/O/A	PD5	ADC_IN5/USART1_TX	TIM2_CH4_3/USART1_RX_1/ USART1_CTS_9/SPI_MISO_4
20	PD6	I/O/A	PD6	ADC_IN6/USART1_RX	TIM2_CH3_3/USART1_TX_1/ SPI_MOSI_4
1	PD7 ⁽⁵⁾	I/O	PD7	TIM2_CH4/RST	TIM2_CH4_1/USART1_CTS_4/ USART1_CTS_5
2	PA1	I/O/A	PA1	ADC_IN1/TIM1_CH2	XI/TIM1_CH2_1/TIM1_CH2_9/ TIM2_CH2_5/TIM2_CH2_6/ USART1_RX_8/SPI_SCK_5
3	PA2	I/O/A	PA2	ADC_IN0/TIM1_CH2N	X0/TIM1_CH3_9/TIM1_CH2N_1/ TIM1_CH2N_4/TIM1_CH2N_5/ TIM1_CH2N_6/TIM2_CH3_5/ TIM2_CH3_6/TIM2_CH3_7/ SPI_MOSI_5/ADC_IETR_1
5	PD0	I/O	PD0	TIM1_CH1N	TIM1_CH1N_1/TIM1_CH3N_4/ TIM1_CH3N_5/TIM1_CH3N_6/ USART1_TX_2/I2C_SDA_1

Pin No.	Pin name	Pin type ⁽¹⁾	Main function (after reset)	Default alternate function	Remapping function ⁽²⁾
V006F4U6					
6	V _{DD}	P	V _{DD}		
7	PC0	I/O	PC0	TIM2_CH3	TIM1_CH3_2/TIM1_CH1N_7/ TIM1_CH1N_9/TIM2_CH1_ETR_4/ TIM2_CH3_1/USART1_TX_3/ SPI_NSS_1/SPI_MOSI_3
8	PC1	I/O	PC1	I2C_SDA/SPI_NSS	TIM1_CH2N_7/TIM1_CH2N_9/ TIM1_BKIN_2/TIM1_BKIN_3/ TIM2_CH1_ETR_1/TIM2_CH2_4/ TIM2_CH1_ETR_3/TIM2_CH4_2/ USART1_RX_3/SPI_NSS_5
9	PC2	I/O	PC2	TIM1_BKIN/USART1_RTS/ I2C_SCL	TIM1_CH3N_7/TIM1_CH3N_9/ TIM2_CH2_2/USART1_RTS_2/ TIM1_BKIN_1/TIM1_ETR_3/ ADC_RETR_1
10	PC3	I/O	PC3	TIM1_CH3	TIM1_CH3_1/TIM1_CH3_5/ TIM1_CH1N_2/TIM1_CH1N_3/ TIM2_CH3_4/USART1_CTS_2
11	PC4	I/O	PC4	ADC_IN2/TIM1_CH4/MCO	TIM1_CH1_3/TIM1_CH1_7/ TIM1_CH1_8/TIM1_CH4_1/ TIM1_CH2N_2/USART1_RX_9/ SPI_NSS_2/SPI_NSS_6/
12	PC5	I/O	PC5	TIM1_ETR/SPI_SCK	TIM1_CH2_7/TIM1_CH2_8/ TIM1_CH3_3/TIM1_ETR_2/ TIM2_CH1_ETR_2/USART1_TX_6/ I2C_SCL_2/SPI_SCK_1

Pin No.	Pin name	Pin type ⁽¹⁾	Main function (after reset)	Default alternate function	Remapping function ⁽²⁾
V006F4U6					
13	PC6	I/O	PC6	SPI_MOSI	TIM1_CH1_2/TIM1_CH3_7/ TIM1_CH3_8/TIM1_CH3N_3/ USART1_RX_6/USART1_CTS_1/ USART1_CTS_3/SPI_MOSI_1/ I2C_SDA_2
14	PC7	I/O	PC7	SPI_MISO	TIM1_CH2_2/TIM1_CH2_3/ TIM1_CH4_7/TIM1_CH4_8/ TIM2_CH2_3/USART1_CTS_6/ USART1_CTS_7/USART1_RTS_1/ USART1_RTS_3/SPI_MISO_1/ SPI_MISO_6
15	PD1	I/O/A	PD1	TIM1_CH3N/SWIO/ ADC_IETR	TIM1_CH4_4/TIM1_CH4_5/ TIM1_CH3N_1/TIM1_CH3N_2/ USART1_TX_4/USART1_RX_2/ USART1_RX_5/I2C_SCL_1/ I2C_SDA_4
16	PD2	I/O/A	PD2	ADC_IN3/TIM1_CH1	TIM1_CH1_1/TIM1_CH2N_3/ TIM2_CH3_2/USART1_CTS_8/ SPI_SCK_2
17	PD3	I/O/A	PD3	ADC_IN4/TIM2_CH2/ USART1_CTS/ADC_RETR	TIM1_CH4_2/TIM2_CH1_ETR_7/ TIM2_CH2_1/USART1_RTS_8/ SPI_NSS_4/SPI_MOSI_2

Table 2-2 CH32V005 Pin definitions

Pin No.				Pin name	Pin type ⁽¹⁾	Main function (after reset)	Default alternate function	Remapping function ⁽²⁾
V005D6U6	V005F6P6	V005F6U6	V005E6R6					
0	7	0 4	5	V _{SS}	P	V _{SS}		
-	-	-	24	PB3	I/O	PB3	USART2_RX/SWCLK	TIM1_BKIN_4/TIM1_BKIN_5/ USART1_TX_5/USART1_RX_4/ USART2_RTS_1/USART2_RTS_6/ I2C_SCL_4/SPI_MISO_2
-	-	-	16	PA5	I/O/A	PA5	USART2_RTS/OPA_OUT1	USART1_RTS_4/USART1_RTS_5/ USART2_RX_1/USART2_RX_6
-	-	-	17	PA6 ⁽³⁾	I/O	PA6		USART2_TX_6
-	-	-	18	PA0	I/O	PA0		TIM1_CH1_9/TIM1_CH1N_4/ TIM1_CH1N_5/TIM1_CH1N_6/ TIM2_CH1_ETR_5/USART1_TX_8/ USART1_TX_9/USART2_CTS_2/ USART2_CTS_3
1	5	2	17	PA1 ⁽³⁾	I/O/A	PA1	ADC_IN1/TIM1_CH2/ OPA_N0	XI/TIM1_CH2_1/TIM1_CH2_9/ TIM2_CH2_5/TIM2_CH2_6/ USART1_RX_8/USART2_RTS_2/ USART2_RTS_3/USART2_RTS_4/ USART2_RTS_5/SPI_SCK_5
2	6	3	19	PA2	I/O/A	PA2	ADC_IN0/TIM1_CH2N/ OPA_P0	XO/TIM1_CH3_9/TIM1_CH2N_1/ TIM1_CH2N_4/TIM1_CH2N_5/ TIM1_CH2N_6/TIM2_CH3_5/ TIM2_CH3_6/TIM2_CH3_7/ USART2_TX_2/SPI_MOSI_5/

Pin No.				Pin name	Pin type ⁽¹⁾	Main function (after reset)	Default alternate function	Remapping function ⁽²⁾
V005D6U6	V005F6P6	V005F6U6	V005E6R6					
								ADC_IETR_1
3	8	5	20	PD0	I/O/A	PD0	TIM1_CH1N/OPA_N1	TIM1_CH1N_1/TIM1_CH3N_4/ TIM1_CH3N_5/TIM1_CH3N_6/ USART1_TX_2/I2C_SDA_1
-	-	-	21	PA3	I/O	PA3		TIM1_CH1_4/TIM1_CH1_5/ TIM1_CH1_6/TIM1_CH4_9/ TIM1_CH1N_8/TIM2_CH4_5/ TIM2_CH4_6/TIM2_CH4_7/ USART2_RX_2
-	-	-	22	PB0	I/O	PB0		TIM1_CH2_4/TIM1_CH2_5/ TIM1_CH2_6/TIM1_CH2N_8/ USART2_TX_4/SPI_NSS_3/
-	-	-	23	PB1	I/O	PB1		TIM1_CH3_4/TIM1_CH3_6/ TIM1_CH3N_8/TIM2_CH1_ETR_6/ USART2_RX_4/SPI_SCK_3
5	10	7	2	PC0	I/O	PC0	TIM2_CH3	TIM1_CH3_2/TIM1_CH1N_7/ TIM1_CH1N_9/TIM2_CH1_ETR_4/ TIM2_CH3_1/USART1_TX_3/ SPI_NSS_1/SPI_MOSI_3
6	11	8	3	PC1	I/O	PC1	I2C_SDA/SPI_NSS	TIM1_CH2N_7/TIM1_CH2N_9/ TIM1_BKIN_2/TIM1_BKIN_3/ TIM2_CH1_ETR_1/ TIM2_CH1_ETR_3/TIM2_CH2_4/ TIM2_CH4_2/USART1_RX_3/ SPI_NSS_5

Pin No.				Pin name	Pin type ⁽¹⁾	Main function (after reset)	Default alternate function	Remapping function ⁽²⁾
V005D6U6	V005F6P6	V005F6U6	V005E6R6					
-	12	9	4	PC2	I/O/A	PC2	TIM1_BKIN/USART1_RTS/ I2C_SCL	TIM1_CH3N_7/TIM1_CH3N_9/ TIM2_CH2_2/USART1_RTS_2/ TIM1_BKIN_1/TIM1_ETR_3/ ADC_RETR_1
-	13	10	-	PC3	I/O	PC3	TIM1_CH3	TIM1_CH3_1/TIM1_CH3_5/ TIM1_CH1N_2/TIM1_CH1N_3/ TIM2_CH3_4/USART1_CTS_2
4	9	6	6	V _{DD}	P	V _{DD}		
7	14	11	8	PC4	I/O/A	PC4	ADC_IN2/TIM1_CH4/MCO	TIM1_CH1_3/TIM1_CH1_7/ TIM1_CH1_8/TIM1_CH4_1/ TIM1_CH2N_2/USART1_RX_9/ USART2_TX_5/SPI_NSS_2/ SPI_NSS_6/
-	15	12	7	PC5 ⁽⁵⁾	I/O	PC5	TIM1_ETR/SPI_SCK/RST	TIM1_CH2_7/TIM1_CH2_8/ TIM1_CH3_3/TIM1_ETR_2/ TIM2_CH1_ETR_2/USART1_TX_6/ I2C_SCL_2/SPI_SCK_1
8	16	13	-	PC6	I/O	PC6	SPI_MOSI	TIM1_CH1_2/TIM1_CH3_7/ TIM1_CH3_8/TIM1_CH3N_3/ USART1_RX_6/USART1_CTS_1/ USART1_CTS_3/SPI_MOSI_1/ I2C_SDA_2
9	17	14	-	PC7	I/O	PC7	SPI_MISO	TIM1_CH2_2/TIM1_CH2_3/ TIM1_CH4_7/TIM1_CH4_8/ TIM2_CH2_3/USART1_CTS_6/

Pin No.				Pin name	Pin type ⁽¹⁾	Main function (after reset)	Default alternate function	Remapping function ⁽²⁾
V005D6U6	V005F6P6	V005F6U6	V005E6R6					
								USART1_CTS_7/USART1_RTS_1/ USART1_RTS_3/SPI_MISO_1/ SPI_MISO_6
10	18	15	1	PD1	I/O/A	PD1	TIM1_CH3N/SWIO/SWDIO /OPA_P3/ADC_IETR	TIM1_CH4_4/TIM1_CH4_5/ TIM1_CH3N_1/TIM1_CH3N_2/ USART1_TX_4/USART1_RX_2/ USART1_RX_5/USART2_RX_5/ I2C_SCL_1/I2C_SDA_4
-	19	16	9	PD2	I/O/A	PD2	ADC_IN3/TIM1_CH1	TIM1_CH1_1/TIM1_CH2N_3/ TIM2_CH3_2/USART1_CTS_8/ USART2_TX_3/SPI_SCK_2
-	20	17	10	PD3	I/O/A	PD3	ADC_IN4/TIM2_CH2/ USART1_CTS/OPA_P2/ ADC_RETR	TIM1_CH4_2/TIM2_CH1_ETR_7/ TIM2_CH2_1/USART1_RTS_8/ USART2_RX_3/SPI_NSS_4/ SPI_MOSI_2
11	1	18	11	PD4	I/O/A	PD4	ADC_IN7/TIM2_CH1_ETR/ OPA_OUT0	TIM1_CH4_3/TIM1_ETR_1/ TIM1_ETR_4/TIM1_ETR_5/ TIM1_ETR_6/TIM2_CH2_7/ USART1_RTS_9/SPI_SCK_4
-	2	19	12	PD5	I/O/A	PD5	ADC_IN5/USART1_TX	TIM2_CH4_3/USART1_RX_1/ USART1_CTS_9/SPI_MISO_4
-	3	20	13	PD6	I/O/A	PD6	ADC_IN6/USART1_RX	TIM2_CH3_3/USART1_TX_1/ SPI_MOSI_4
12	4	1	14	PD7 ⁽⁴⁾ (5)	I/O/A	PD7	TIM2_CH4/RST/OPA_P1	TIM2_CH4_1/USART1_CTS_4/ USART1_CTS_5

Pin No.				Pin name	Pin type ⁽¹⁾	Main function (after reset)	Default alternate function	Remapping function ⁽²⁾
V005D6U6	V005F6P6	V005F6U6	V005E6R6					
			15	PA4 ⁽⁴⁾	I/O/A	PA4	USART2_CTS/OPA_N2	USART2_TX_1/USART2_CTS_5

Note 1: Explanation of table abbreviations:

I = TTL/CMOS level Schmitt input; *O* = CMOS level tri-state output.

A = Analog signal input or output; *P* = Power supply.

Note 2: The underlined value of the remapping function indicates the configuration value of the corresponding bit in the AFIO register. For example: TIM1_BKIN_4 indicates that the corresponding bit configuration of the AFIO register is 100b.

Note 3: For CH32V006E8R6 and CH32V005E6R6 chips, the PA1 and PA6 pins are short-connected and sealed inside the chip, which forbids the two I/O to be configured as the output function.

Note 4: For CH32V006F8U6, CH32V006F8P6, CH32V005F6U6, CH32V005F6P6 and CH32V005D6U6 chips, the PA4 and PD7 pins are short-jointed and sealed inside the chip, and it is forbidden that both of the two IMAGO are configured as output functions.

Note 5: For CH32V006K8U6 chip, PA7 is the reset pin; for CH32V006E8R6 and CH32V005E6R6 chips, PC5 is the reset pin; for the rest of CH32V006 and CH32V005 chips, PD7 is the reset pin.

2.3 Pin Alternate Functions

Note: The pin function descriptions in the table below are for all functions and do not relate to specific model products. Peripheral resources may vary between models, so please check the availability of this function according to the product model resource table before viewing.

Table 2-3 Pin alternate and remapping functions

Alternate Pin	ADC	TIM1	TIM2	USART	SYS	I2C	SPI	OPA
PA0		TIM1_CH1_9 TIM1_CH1N_4 TIM1_CH1N_5 TIM1_CH1N_6	TIM2_CH1_ETR_5	USART1_TX_8 USART1_TX_9 USART2_CTS_2 USART2_CTS_3				
PA1	ADC_IN1	TIM1_CH2 TIM1_CH2_1 TIM1_CH2_9	TIM2_CH2_5 TIM2_CH2_6	USART1_RX_8 USART2_RTS_2 USART2_RTS_3 USART2_RTS_4 USART2_RTS_5	XI		SPI_SCK_5	OPA_N0
PA2	ADC_IN0 ADC_IETR_1	TIM1_CH3_9 TIM1_CH2N TIM1_CH2N_1 TIM1_CH2N_4 TIM1_CH2N_5 TIM1_CH2N_6	TIM2_CH3_5 TIM2_CH3_6 TIM2_CH3_7	USART2_TX_2	XO		SPI_MOSI_5	OPA_P0
PA3		TIM1_CH1_4 TIM1_CH1_5 TIM1_CH1_6 TIM1_CH4_9 TIM1_CH1N_8	TIM2_CH4_5 TIM2_CH4_6 TIM2_CH4_7	USART2_RX_2				
PA4				USART2_TX_1 USART2_CTS USART2_CTS_5				OPA_N2
PA5				USART1_RTS_4 USART1_RTS_5 USART2_RX_1 USART2_RX_6 USART2_RTS				OPA_OUT1
PA6				USART2_TX_6				
PA7		TIM1_BKIN_6		USART2_TX USART2_CTS_1 USART2_CTS_6	RST ⁽¹⁾			
PB0		TIM1_CH2_4 TIM1_CH2_5 TIM1_CH2_6 TIM1_CH2N_8		USART2_TX_4			SPI_NSS_3	
PB1		TIM1_CH3_4 TIM1_CH3_6 TIM1_CH3N_8	TIM2_CH1_ETR_6	USART2_RX_4			SPI_SCK_3	
PB2		TIM1_CH4_6					SPI_MISO_3	

Alternate Pin	ADC	TIM1	TIM2	USART	SYS	I2C	SPI	OPA
		TIM1_BKIN_7 TIM1_BKIN_8 TIM1_BKIN_9						
PB3		TIM1_BKIN_4 TIM1_BKIN_5		USART1_TX_5 USART1_RX_4 USART2_RX USART2_RTS_1 USART2_RTS_6	SWCLK	I2C_SCL_4	SPI_MISO_2	
PB4		TIM1_ETR_7 TIM1_ETR_8 TIM1_ETR_9		USART1_RTS_6 USART1_RTS_7			SPI_MOSI_6	
PB5				USART1_TX_7		I2C_SCL_3	SPI_SCK_6 SPI_MISO_5	
PB6			TIM2_CH4_4	USART1_RX_7 USART2_CTS_4		I2C_SDA_3		
PC0		TIM1_CH3_2 TIM1_CH1N_7 TIM1_CH1N_9	TIM2_CH1_ETR_4 TIM2_CH3 TIM2_CH3_1	USART1_TX_3			SPI_NSS_1 SPI_MOSI_3	
PC1		TIM1_CH2N_7 TIM1_CH2N_9 TIM1_BKIN_2 TIM1_BKIN_3	TIM2_CH1_ETR_1 TIM2_CH1_ETR_3 TIM2_CH2_4 TIM2_CH4_2	USART1_RX_3		I2C_SDA	SPI_NSS SPI_NSS_5	
PC2	ADC_RETR_1	TIM1_CH3N_7 TIM1_CH3N_9 TIM1_BKIN TIM1_BKIN_1 TIM1_ETR_3	TIM2_CH2_2	USART1_RTS USART1_RTS_2		I2C_SCL		
PC3		TIM1_CH3 TIM1_CH3_1 TIM1_CH3_5 TIM1_CH1N_2 TIM1_CH1N_3	TIM2_CH3_4	USART1_CTS_2				
PC4	ADC_IN2	TIM1_CH1_3 TIM1_CH1_7 TIM1_CH1_8 TIM1_CH4 TIM1_CH4_1 TIM1_CH2N_2		USART1_RX_9 USART2_TX_5	MCO		SPI_NSS_2 SPI_NSS_6	
PC5		TIM1_CH2_7 TIM1_CH2_8 TIM1_CH3_3 TIM1_ETR TIM1_ETR_2	TIM2_CH1_ETR_2	USART1_TX_6	RST ⁽¹⁾	I2C_SCL_2	SPI_SCK SPI_SCK_1	
PC6		TIM1_CH1_2 TIM1_CH3_7		USART1_RX_6 USART1_CTS_1		I2C_SDA_2	SPI_MOSI SPI_MOSI_1	

Alternate Pin	ADC	TIM1	TIM2	USART	SYS	I2C	SPI	OPA
		TIM1_CH3_8 TIM1_CH3N_3		USART1_CTS_3				
PC7		TIM1_CH2_2 TIM1_CH2_3 TIM1_CH4_7 TIM1_CH4_8	TIM2_CH2_3	USART1_CTS_6 USART1_CTS_7 USART1_RTS_1 USART1_RTS_3			SPI_MISO SPI_MISO_1 SPI_MISO_6	
PD0		TIM1_CH1N TIM1_CH1N_1 TIM1_CH3N_4 TIM1_CH3N_5 TIM1_CH3N_6		USART1_TX_2		I2C_SDA_1		OPA_N1
PD1	ADC_IETR	TIM1_CH4_4 TIM1_CH4_5 TIM1_CH3N TIM1_CH3N_1 TIM1_CH3N_2		USART1_TX_4 USART1_RX_2 USART1_RX_5 USART2_RX_5	SWIO SWDIO	I2C_SCL_1 I2C_SDA_4		OPA_P3
PD2	ADC_IN3	TIM1_CH1 TIM1_CH1_1 TIM1_CH2N_3	TIM2_CH3_2	USART1_CTS_8 USART2_TX_3			SPI_SCK_2	
PD3	ADC_IN4 ADC_RETR	TIM1_CH4_2	TIM2_CH1_ETR_7 TIM2_CH2 TIM2_CH2_1	USART1_CTS USART1_RTS_8 USART2_RX_3			SPI_NSS_4 SPI_MOSI_2	OPA_P2
PD4	ADC_IN7	TIM1_CH4_3 TIM1_ETR_1 TIM1_ETR_4 TIM1_ETR_5 TIM1_ETR_6	TIM2_CH1_ETR TIM2_CH2_7	USART1_RTS_9			SPI_SCK_4	OPA_OUT0
PD5	ADC_IN5		TIM2_CH4_3	USART1_TX USART1_RX_1 USART1_CTS_9			SPI_MISO_4	
PD6	ADC_IN6		TIM2_CH3_3	USART1_TX_1 USART1_RX			SPI_MOSI_4	
PD7			TIM2_CH4 TIM2_CH4_1	USART1_CTS_4 USART1_CTS_5	RST			OPA_P1

Note 1: For CH32V006K8U6 chip, PA7 is the reset pin; for CH32V006E8R6 and CH32V005E6R6 chips, PC5 is the reset pin; for the rest of CH32V006 and CH32V005 chips, PD7 is the reset pin.

Chapter 3 Electrical Characteristics

3.1 Test Condition

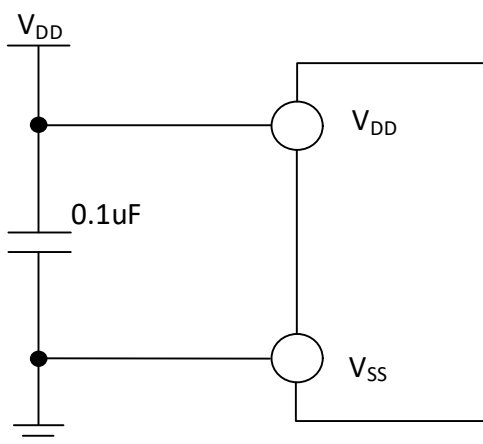
Unless otherwise specified and marked, all voltages are based on V_{SS} .

All minimum and maximum values will be guaranteed under the worst ambient temperature, supply voltage and clock frequency. Typical values are based on room temperature 25°C and $V_{DD}=3.3V$ or 5V for design guidance.

Data obtained through comprehensive evaluation, design simulation or process characteristics will not be tested on the production line. On the basis of comprehensive evaluation, the minimum and maximum values are obtained through sample testing. Unless the special instructions are measured, the characteristic parameters are guaranteed by comprehensive evaluation or design.

Power supply scheme:

Figure 3-1 Typical circuit for conventional power supply



3.2 Absolute Maximum Ratings

Stresses at or above the absolute maximum ratings listed in the table below may cause permanent damage to the device.

Table 3-1 Absolute maximum ratings

Symbol	Description	Min.	Max.	Unit
T_A	Ambient temperature during operation	-40	85	°C
T_S	Ambient temperature during storage	-40	125	°C
$V_{DD}-V_{SS}$	External main supply voltage (V_{DD})	-0.3	5.5	V
V_{IN}	Input voltage on the I/O pin	$V_{SS}-0.3$	$V_{DD}+0.3$	V
$ \Delta V_{DD_x} $	Variations between different main power supply pins		50	mV
$ \Delta V_{SS_x} $	Variations between different ground pins		50	mV

$V_{ESD(HBM)}$	Electrostatic discharge voltage (HBM) of ordinary I/O pin	4K	V
I_{VDD}	Total current of all V_{DD} main power pins	100	mA
I_{VSS}	Total current of all V_{SS} common ground pins	200	mA
I_{IO}	Sink current on any I/O and control pin	30	mA
	Output current on any I/O and control pin	-30	
$I_{INJ(PIN)}$	XI pin of HSE	+/-4	mA
	Injected current on other pins	+/-4	
$\sum I_{INJ(PIN)}$	Total injected current on all I/Os and control pins	+/-20	

3.3 Electrical Characteristics

3.3.1 Operating Conditions

Table 3-2 General operating conditions

Symbol	Parameter	Condition	Min.	Max.	Unit
F_{HCLK} or F_{SYS}	Internal system bus frequency Or microprocessor main frequency			48	MHz
V_{DD}	Standard operating voltage	ADC feature is not used	2.0	5.5	V
		Use the ADC feature	2.4	5.5	
T_A	Ambient temperature		-40	85	°C
T_J	Junction temperature range		-40	105	°C

Table 3-3 Power-on and power-down conditions

Symbol	Parameter	Condition	Min.	Max.	Unit
t_{VDD}	V_{DD} rise time rate		0	∞	us/V
	V_{DD} fall time rate		40	∞	

3.3.2 Embedded Reset and Power Control Block Characteristics

Table 3-4 Reset and voltage monitor

Symbol	Parameter	Condition	Min.	Typ.	Max.	Unit
V_{PVD}	Programmable Voltage Detector level selection	PLS[1:0] = 00 Rising edge		1.86		V
		PLS[1:0] = 00 Falling edge		1.85		
	PLS[1:0] = 01 Rising edge		2.22		V	

		PLS[1:0] = 01 Falling edge		2.21		
		PLS[1:0] = 10 Rising edge		2.42		V
		PLS[1:0] = 10 Falling edge		2.4		
		PLS[1:0] = 11 Rising edge		2.64		V
		PLS[1:0] = 11 Falling edge		2.59		
V _{PVDhyst}	PVD hysteresis		5	20	6	mV
V _{POR/PDR}	Power-on/power-down reset threshold	Rising edge	1.7	1.85	2.0	V
		Falling edge	1.6	1.75	1.9	V
V _{PDRhyst}	PDR hysteresis		60	100	150	mV
t _{RSTTEMPO}	Power-on reset	RST_MODE[1:0] = 11		2		ms
	Other reset			300		us

Note: 1. Normal temperature test value.

3.3.3 Embedded Reference Voltage

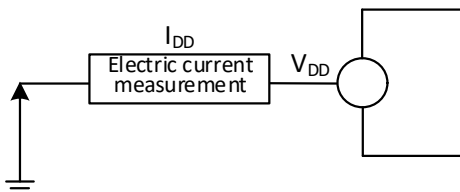
Table 3-5 Embedded reference voltage

Symbol	Parameter	Condition	Min.	Typ.	Max.	Unit
V _{REFINT}	Internal reference voltage	T _A = -40°C~85°C	1.18	1.2	1.22	V
T _{S_vrefint}	ADC sampling time when reading the internal reference voltage	Slow sampling is recommended.	3		240	1/f _{ADC}

3.3.4 Supply Current Characteristics

Current consumption is a comprehensive index of a variety of parameters and factors. These parameters and factors include operating voltage, ambient temperature, I/O pin load, the software configuration of the product, the operating frequency, flip rate of the I/O pin, the location of the program in memory and the executed code, etc. The current consumption measurement method is as follows:

Figure 3-2 Current consumption measurement



The microcontroller is in the following conditions:

In the case of room temperature V_{DD} = 3.3V or 5V, during the test: all I/O ports are configured with pull-down

input, HSI = 24MHz (calibrated), and the bit LDO_MODE = 10 of register PWR_CTLR. Enable or disable the power consumption of all peripheral clocks.

Table 3-6 Typical current consumption in Run mode, data processing code runs from the internal Flash

Symbol	Parameter	Condition			Typ.		Unit
		HSI/HSE	HSI_LP	F _{HCLK}	All peripherals enabled	All peripherals disabled	
I _{DD} ⁽¹⁾	Supply current in Run mode	Runs on the high-speed external clock (HSE) (HSE_SI = 00, HSE_LP = 1)	X	F _{HCLK} = 48MHz	4.4	3.5	mA
				F _{HCLK} = 24MHz	3.3	2.8	
				F _{HCLK} = 16MHz	2.8	2.5	
				F _{HCLK} = 8MHz	2.5	2.4	
				F _{HCLK} = 750KHz	1.7	1.7	
		Runs on the high-speed internal RC oscillator (HSI)	0	F _{HCLK} = 48MHz	3.7	2.8	
				F _{HCLK} = 24MHz	2.5	2.0	
				F _{HCLK} = 16MHz	2.1	1.7	
				F _{HCLK} = 8MHz	1.8	1.6	
				F _{HCLK} = 750KHz	0.9	0.9	
		1	F _{HCLK} = 40KHz	0.6	0.6		

Note: The above are measured parameters.

Table 3-7 Typical current consumption in Sleep mode, data processing code runs from internal Flash or SRAM

Symbol	Parameter	Condition			Typ.		Unit
		HSI/HSE	HSI_LP	F _{HCLK}	All peripherals enabled	All peripherals disabled	
I _{DD} ⁽¹⁾	Supply current in Sleep mode (In this case,	Runs on the high-speed external clock (HSE) (HSE_SI = 00,	X	F _{HCLK} = 48MHz	3.0	2.1	mA
				F _{HCLK} = 24MHz	2.3	1.8	
				F _{HCLK} = 2.1	2.1	1.8	

peripheral power supply and clock are maintained)	HSE_LP = 1)		16MHz			
			F _{HCLK} = 8MHz	1.8	1.7	
			F _{HCLK} = 750KHz	1.6	1.6	
	Runs on the high-speed internal RC oscillator (HSI)	0	F _{HCLK} = 48MHz	2.2	1.3	
			F _{HCLK} = 24MHz	1.5	1.0	
			F _{HCLK} = 16MHz	1.3	1.0	
			F _{HCLK} = 8MHz	1.1	0.9	
			F _{HCLK} = 750KHz	0.9	0.9	
			1	F _{HCLK} = 40KHz	0.6	0.6

Note: The above are measured parameters.

Table 3-8 Typical current consumption in Standby mode

Symbol	Parameter	Condition			Typ.	Unit
		Independent watchdog	LSI	V _{DD}		
I _{DD}	Supply current in Standby mode	Enable	Enable	3.3V	10.7	uA
				5V	11.6	
		Disable	Disable	3.3V	10.2	
				5V	11.1	
		Disable	Enable	3.3V	10.6	
				5V	11.6	

Note: The above are measured parameters.

3.3.5 External Clock Source Characteristics

Table 3-9 From external high-speed clock

Symbol	Parameter	Condition	Min.	Typ.	Max.	Unit
--------	-----------	-----------	------	------	------	------

F_{HSE_ext}	External clock frequency		3	24	32	MHz
$V_{HSEH}^{(1)}$	XI input pin high level voltage		$0.8V_{DD}$		V_{DD}	V
$V_{HSEL}^{(1)}$	XI input pin low-level voltage		0		$0.2V_{DD}$	V
$C_{in(HSE)}$	XI input capacitance			5		pF
$DuCy_{(HSE)}$	Duty cycle		40	50	60	%
I_L	XI input leakage current				± 1	μA

Note: 1. Failure to meet this condition may cause level recognition error.

Figure 3-3 External high-frequency clock source circuit

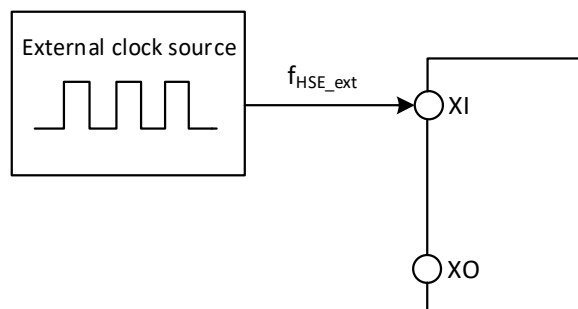


Table 3-10 High-speed external clock generated from a crystal/ceramic resonator

Symbol	Parameter	Condition	Min.	Typ.	Max.	Unit
F_{XI}	Resonator frequency		3	24	32	MHz
R_F	Feedback resistor (No external)			250		k Ω
C_{LOAD}	Recommended load capacitance and corresponding crystal series impedance R_s	$R_s = 60\Omega^{(1)}$		20		pF
I_{HSE}	HSE drive current	HSE_LP = 0, 20p load		1.6		mA
		HSE_LP = 1, 20p load		0.8		
g_m	Oscillator transconductance	Startup		21		mA/V
$t_{SU(HSE)}$	Startup time	V_{DD} is stable		$1.5^{(2)}$		ms

Note: 1. 25M crystal ESR is recommended not more than 80 Ω , less than 25m can be appropriately relaxed.

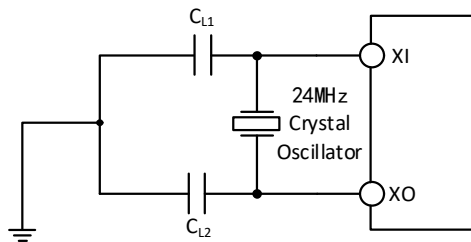
2. Startup time refers to the time difference between when HSEON is turned on and when HSERDY is set.

Circuit reference design and requirements:

The load capacitance of the crystal is subject to the recommendation of the crystal manufacturer, generally $C_{L1} =$

C_{L2}.

Figure 3-4 Typical circuit of external 24M crystal



3.3.6 Internal Clock Source Characteristics

Table 3-11 Internal high-speed (HSI) RC oscillator characteristics

Symbol	Parameter	Condition	Min.	Typ.	Max.	Unit
F _{HSI}	Frequency (after calibration)	HSI_LP = 0		24		MHz
		HSI_LP = 1	30	42	58	KHz
DuCy _{HSI}	Duty cycle		45	50	55	%
ACC _{HSI}	Accuracy of HSI oscillator (after calibration)	HSI_LP = 0, TA = -10°C~70°C	-2.0		2.0	%
		HSI_LP = 0, TA = -40°C~85°C	-3.0		3.0	%
t _{SU(HSI)} ⁽¹⁾	HSI oscillator startup stabilization time			3	8	us
I _{DD(HSI)}	HSI oscillator power consumption	HSI_LP = 0		200		uA
		HSI_LP = 1		8.5		

Note: 1. Register RCC_CTLR HSION is set to 1 and wait for HSIRDY to be set to 1.

Table 3-12 Internal low-speed (LSI) RC oscillator characteristics

Symbol	Parameter	Condition	Min.	Typ.	Max.	Unit
F _{LSI}	Frequency		90	128	172	KHz
DuCy _{LSI}	Duty cycle		45	50	55	%
t _{SU(LSI)} ⁽¹⁾	LSI oscillator startup stabilization time			30	100	us
I _{DD(LSI)} ⁽¹⁾	LSI oscillator power consumption			550		nA

Note: 1. Register `RCC_CTLR LSION` is set to 1 and wait for `LSIRDY` to be set to 1.

3.3.7 Wakeup Time from Low-power Mode

Table 3-13 Wakeup time from low-power mode⁽¹⁾

Symbol	Parameter	Condition	Typ.	Unit
$t_{WUSLEEP}$	Wakeup from Sleep mode	Wake up using HSI RC clock	10	us
$t_{WUSTDBY}$	Wakeup from Standby mode	LDO stabilization time + HSI RC clock wake up	250	us

Note: The above are measured parameters.

3.3.8 Memory Characteristics

Table 3-14 Flash memory characteristics

Symbol	Parameter	Condition	Min.	Typ.	Max.	Unit
t_{prog_page}	Page (256 bytes) program time			1.5	2.0	ms
t_{erase_page}	Page (256 bytes) erase time			2.5	3.0	ms
t_{erase_sec}	Sector (1K bytes) erase time			2.7	3.3	ms

Table 3-15 Flash memory endurance and data retention

Symbol	Parameter	Condition	Min.	Typ.	Max.	Unit
N_{END}	Erase and write times	$T_A = 25^\circ\text{C}$	300K			Times
		$T_A = 70^\circ\text{C}$	100K			Times
t_{RET}	Data retention period	$T_A = 25^\circ\text{C}$	20			Years
		$T_A = 70^\circ\text{C}$	10			Years

3.3.9 I/O Port Characteristics

Table 3-16 General-purpose I/O static characteristics

Symbol	Parameter	Condition	Min.	Typ.	Max.	Unit
V_{IH}	Standard I/O pin, input high level voltage		$0.3 \cdot V_{DD} + 0.7$		V_{DD}	V
V_{IL}	Standard I/O pin, input low-level voltage		0		$0.15 \cdot V_{DD} + 0.3$	V

V_{hys}	Schmitt trigger voltage hysteresis		150			mV
I_{lkg}	Input leakage current				1	uA
R_{PU}	Pull-up equivalent resistance		35	45	55	k Ω
R_{PD}	Pull-down equivalent resistance		35	45	55	k Ω
C_{IO}	I/O pin capacitance			5		pF

Output drive current characteristics

GPIO (General-Purpose Input/Output Port) can sink or output up to $\pm 8\text{mA}$ current, and sink or output $\pm 20\text{mA}$ current (not strictly to V_{OL}/V_{OH}). In user applications, the total driving current of all I/O pins cannot exceed the absolute maximum ratings given in Section 3.2:

Table 3-17 Output voltage characteristics

Symbol	Parameter	Condition	Min.	Max.	Unit
V_{OL}	Output low level, 8 pins input current	TTL port, $I_{IO} = +8\text{mA}$		0.4	V
V_{OH}	Output high level, 8 pin output current	$2.7\text{V} < V_{DD} < 5.5\text{V}$	$V_{DD}-0.4$		
V_{OL}	Output low level, 8 pins input current	CMOS port, $I_{IO} = +8\text{mA}$		0.4	V
V_{OH}	Output high level, 8 pin output current	$2.7\text{V} < V_{DD} < 5.5\text{V}$	2.3		
V_{OL}	Output low level, 8 pins input current	$I_{IO} = +20\text{mA}$		1.3	V
V_{OH}	Output high level, 8 pin output current	$2.7\text{V} < V_{DD} < 5.5\text{V}$	$V_{DD}-1.3$		

Note: The sum of current must not exceed the absolute maximum rating given in Section 3.2 of the table if more than one I/O pin is driven at the same time in the above conditions. When multiple I/O pins are driven at the same time, the current on the power supply/ground wire point is very large, which will cause the voltage drop so that the voltage of the internal I/O cannot reach the power supply voltage in the meter, resulting in the drive current less than the nominal value.

Table 3-18 Input/output AC characteristics

Symbol	Parameter	Condition	Min.	Max.	Unit
$F_{\max(\text{IO})\text{out}}$	Maximum frequency	$CL = 50\text{pF}$, $V_{DD} = 2.7-5.5\text{V}$		30	MHz
$t_{f(\text{IO})\text{out}}$	Output high to low fall time	$CL = 50\text{pF}$, $V_{DD} = 2.7-5.5\text{V}$		10	ns
$t_{r(\text{IO})\text{out}}$	Output low to high rise time	$CL = 50\text{pF}$, $V_{DD} = 2.7-5.5\text{V}$		10	ns
$t_{\text{EXTI}pw}$	The EXTI controller detects the pulse width of the external signal		10		ns

Note: Above parameters are guaranteed by design.

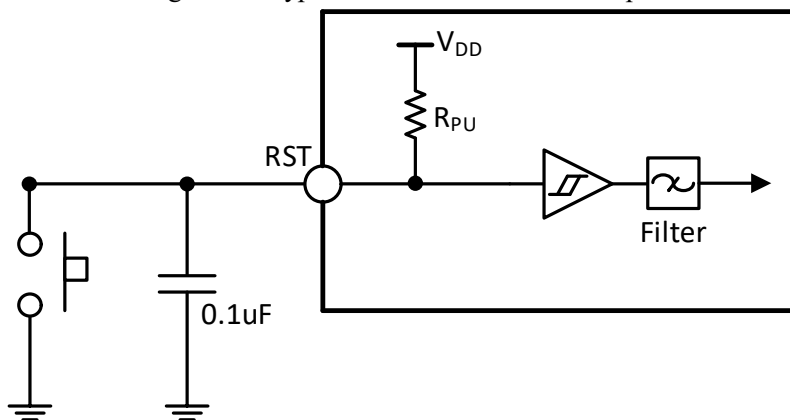
3.3.10 NRST Pin Characteristics

Table 3-19 External reset pin characteristics

Symbol	Parameter	Condition	Min.	Typ.	Max.	Unit
$V_{IH(RST)}$	RST input high-level voltage		$0.3 \cdot V_{DD} + 0.7$		V_{DD}	V
$V_{IL(RST)}$	RST input low-level voltage		0		$0.15 \cdot V_{DD} + 0.3$	V
$V_{hys(RST)}$	NRST Schmitt Trigger voltage hysteresis		150			mV
R_{PU}	Pull-up equivalent resistance		35	45	55	k Ω
$V_{F(RST)}$	RST input can be filtered pulse width				100	ns
$V_{NF(RST)}$	RST input cannot be filtered pulse width		300			ns

Circuit reference design and requirements:

Figure 3-5 Typical circuit of external reset pin



Note: The capacitance in the figure is optional and can be used to filter out key jitter.

3.3.11 TIM Timer Characteristics

Table 3-20 TIMx characteristics

Symbol	Parameter	Condition	Min.	Max.	Unit
$t_{res(TIM)}$	Timer reference clock		1		$t_{TIMxCLK}$
		$f_{TIMxCLK} = 48MHz$	20.8		ns
F_{EXT}	Timer external clock frequency on CH1 to CH4		0	$f_{TIMxCLK}/2$	MHz
		$f_{TIMxCLK} = 48MHz$	0	24	MHz

R_{esTIM}	Timer resolution			16	bit
$t_{COUNTER}$	16-bit counter clock cycle when the internal clock is selected		1	65536	$t_{TIMxCLK}$
		$f_{TIMxCLK} = 48MHz$	0.0208	1363	us
t_{MAX_COUNT}	Maximum possible count			65535	$t_{TIMxCLK}$
		$f_{TIMxCLK} = 48MHz$		1363	us

3.3.12 I2C Interface Characteristics

Figure 3-6 I2C bus timing diagram

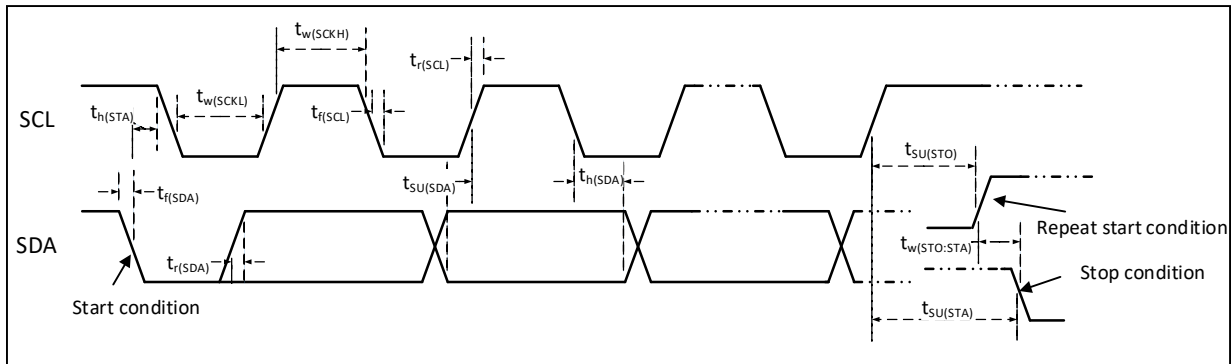


Table 3-21 I2C interface characteristics

Symbol	Parameter	Standard I2C		Fast I2C		Unit
		Min.	Max.	Min.	Max.	
$t_w(SCKL)$	SCL clock low-level time	4.7		1.2		us
$t_w(SCKH)$	SCL clock high-level time	4.0		0.6		us
$t_{SU}(SDA)$	SDA data setup time	250		100		ns
$t_H(SDA)$	SDA data hold time	0		0	900	ns
$t_r(SDA)/t_r(SCL)$	SDA and SCL rise time		1000	20		ns
$t_f(SDA)/t_f(SCL)$	SDA and SCL fall time		300			ns
$t_h(STA)$	Start condition hold time	4.0		0.6		us
$t_{SU}(STA)$	Repeated start condition setup time	4.7		0.6		us
$t_{SU}(STO)$	Stop condition setup time	4.0		0.6		us
$t_w(STO:STA)$	Time from stop condition to start condition (bus free)	4.7		1.2		us
C_b	Capacitive load for each bus		400		400	pF

3.3.13 SPI Interface Characteristics

Figure 3-7 SPI timing diagram in Master mode

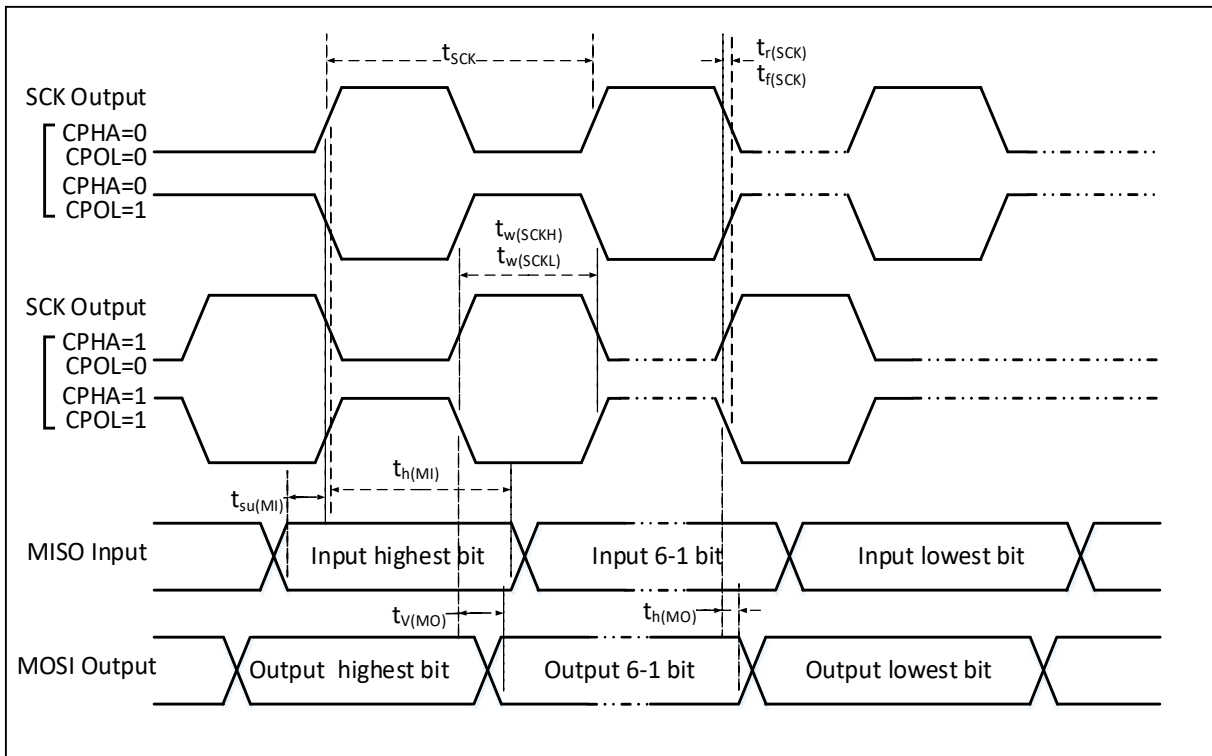


Figure 3-8-1 SPI timing diagram in Slave mode (CPHA = 0, CPOL=0)

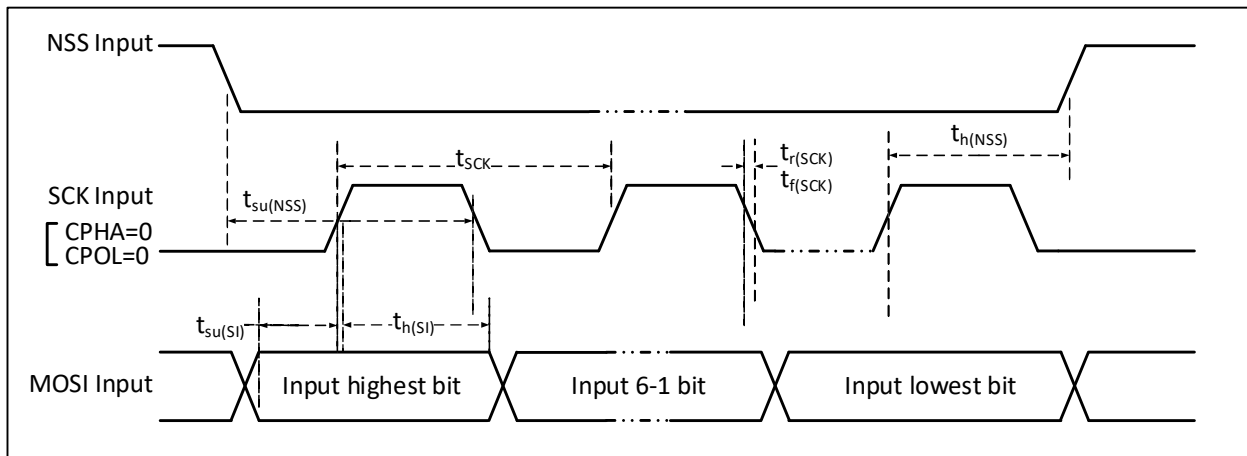


Figure 3-8-2 SPI timing diagram in Slave mode (CPHA = 0, CPOL=1)

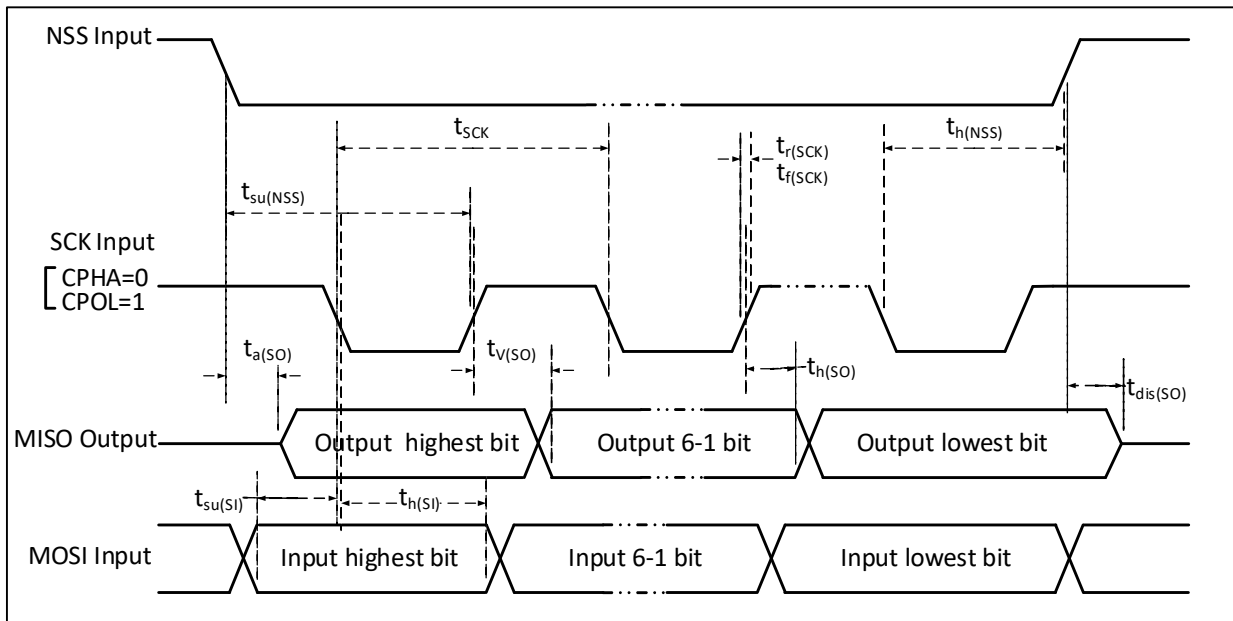


Figure 3-9-1 SPI timing diagram in Slave mode (CPHA = 1, CPOL=0)

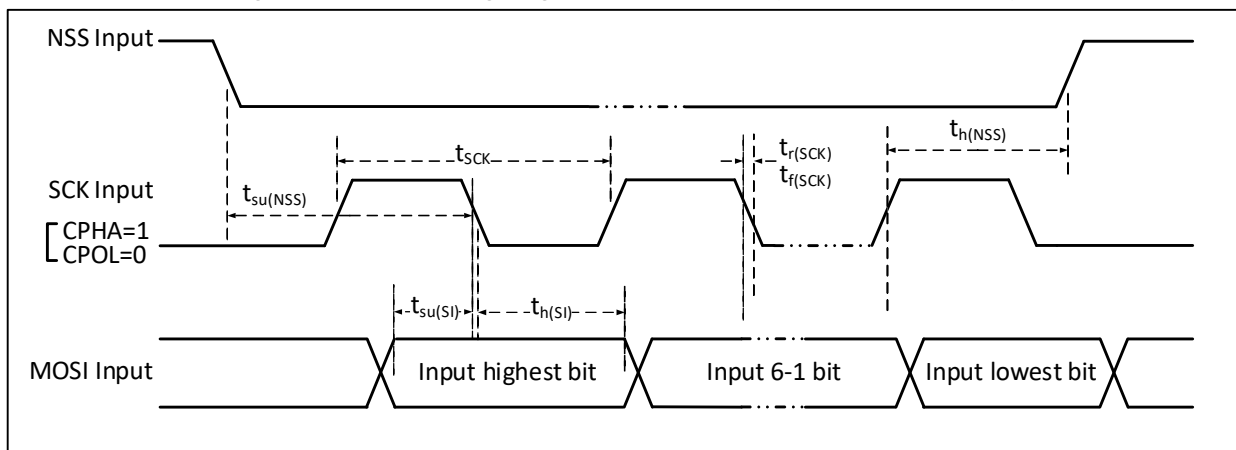


Figure 3-9-2 SPI timing diagram in Slave mode (CPHA = 1, CPOL=1)

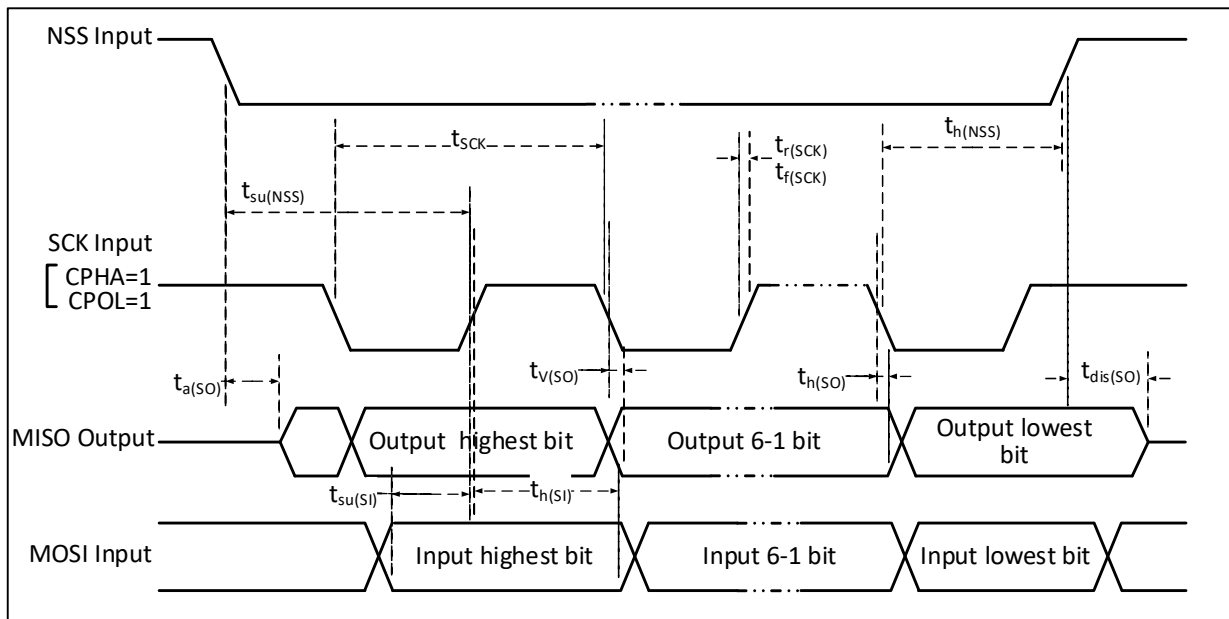


Table 3-22 SPI interface characteristics

Symbol	Parameter	Condition	Min.	Max.	Unit
f_{SCK}/t_{SCK}	SPI clock frequency	Master mode		24	MHz
		Slave mode		24	MHz
$t_{r(SCK)}/t_{f(SCK)}$	SPI clock rise and fall time	Load capacitance: C = 30pF		10	ns
$t_{SU(NSS)}$	NSS setup time	Slave mode	$2t_{HCLK}$		ns
$t_{H(NSS)}$	NSS hold time	Slave mode	$2t_{HCLK}$		ns
$t_{w(SCKH)}/t_{w(SCKL)}$	SCK high and low time	Master mode, $f_{HCLK} = 24MHz$, Prescaler factor = 4	70	97	ns
$t_{SU(MI)}$	Data input setup time	Master mode	HSRXEN = 0	15	ns
			HSRXEN = 1	$15-0.5t_{SCK}$	
$t_{SU(SI)}$		Slave mode	4		ns
$t_{H(MI)}$	Data input hold time	Master mode	HSRXEN = 0	-4	ns
			HSRXEN = 1	$0.5t_{SCK}-4$	
$t_{H(SI)}$		Slave mode	4		ns
$t_{a(SO)}$	Data output access time	Slave mode, $f_{HCLK} = 20MHz$	0	$1t_{HCLK}$	ns
$t_{dis(SO)}$	Data output disable time	Slave mode	0	10	ns
$t_{v(SO)}$	Data output valid time	Slave mode (After enable edge)		15	ns

$t_{V(MO)}$		Master mode (After enable edge)		5	ns
$t_{h(SO)}$	Data output hold time	Slave mode (After enable edge)	6		ns
$t_{h(MO)}$		Master mode (After enable edge)	0		ns

3.3.14 10-bit ADC Characteristics

Table 3-23 ADC characteristics

Symbol	Parameter	Condition	Min.	Typ.	Max.	Unit
V_{DD}	Supply voltage	$f_S \leq 1\text{MHz}$	2.4		5.5	V
		$f_S > 1\text{MHz}$	4.5		5.5	V
I_{DDA}	ADC supply current (Without buffer)	$f_S = 3\text{MHz}$		1.34		mA
		$f_S = 1\text{MHz}$		0.42		mA
I_{BUF}	ADC buffer own current	ADC_LP = 0		0.68		mA
		ADC_LP = 1		0.13		mA
f_{ADC}	ADC clock frequency			16	48	MHz
f_S	Sampling rate		0.06		3	MHz
f_{TRIG}	External trigger frequency	$f_{ADC} = 16\text{MHz}$			900	KHz
		$f_{ADC} = 48\text{MHz}$			2.7	MHz
					18	$1/f_{ADC}$
V_{AIN}	Switching voltage range		0		V_{DD}	V
R_{AIN}	External input impedance				50	k Ω
R_{ADC}	Sampling switch resistance			0.6	1.5	k Ω
C_{ADC}	Internal sample and hold capacitance			4		pF
t_{CAL}	Calibration time	$f_{ADC} = 16\text{MHz}$			6.25	us
					100	$1/f_{ADC}$
t_{iat}	Injection trigger conversion delay	$f_{ADC} = 16\text{MHz}$			0.125	us
		$f_{ADC} = 48\text{MHz}$			0.042	us
					2	$1/f_{ADC}$
t_{iatr}	Conventional trigger conversion delay	$f_{ADC} = 16\text{MHz}$			0.125	us
		$f_{ADC} = 48\text{MHz}$			0.042	us

					2	1/f _{ADC}
t _s	Sampling time	f _{ADC} = 16MHz	0.218		14.97	us
			3.5		239.5	1/f _{ADC}
		f _{ADC} = 48MHz	0.073		0.739	us
			3.5		35.5	1/f _{ADC}
t _{STAB}	Power-on time				1	us
t _{CONV}	Total conversion time (including sampling time)	f _{ADC} = 16MHz	1		15.75	us
			16		252	1/f _{ADC}
		f _{ADC} = 48MHz	0.33		1	us
			16		48	1/f _{ADC}

Note: Above parameters are guaranteed by design.

Formula: Maximum R_{AIN}

$$R_{AIN} < \frac{T_s}{f_{ADC} \times C_{ADC} \times \ln 2^{N+2}} - R_{ADC}$$

The above formula is used to determine the maximum external impedance so that the error can be less than 1/4 LSB. Where N = 12 (represents a 12-bit resolution).

Table 3-24-1 Maximum R_{AIN} when f_{ADC} = 16MHz

T _S (Cycle)	t _s (us)	Maximum R _{AIN} (kΩ)
3.5	0.22	4
7.5	0.47	10
13.5	0.84	20
28.5	1.78	45
41.5	2.59	65
55.5	3.47	/
71.5	4.47	/
239.5	14.97	/

Table 3-24-2 Maximum R_{AIN} (High-speed) when f_{ADC} = 48MHz

T _S (Cycle)	t _s (us)	Maximum R _{AIN} (kΩ)
------------------------	---------------------	-------------------------------

3.5	0.073	1.5
7.5	0.16	3
11.5	0.24	5
19.5	0.41	9
35.5	0.74	17
55.5	1.16	28
71.5	1.49	37
239.5	4.99	/

Table 3-25 ADC error ($f_{ADC} = 16\text{MHz}$, $ADC_LP = 1$)

Symbol	Parameter	Condition	Typ.	Max.	Unit
ET	Total error	$0 \leq V_{AIN} < V_{DD}/2$	± 3.5		LSB
		$0 \leq V_{AIN} < V_{DD}$	± 6		
ED	Differential nonlinear error	$0 \leq V_{AIN} < V_{DD}/2$	± 3.5		
		$0 \leq V_{AIN} < V_{DD}$	± 6		
EL	Differential nonlinear error	$0 \leq V_{AIN} < V_{DD}/2$	± 2.5		
		$0 \leq V_{AIN} < V_{DD}$	± 5		

Note: Above parameters are guaranteed by design.

C_p represents the parasitic capacitance on the PCB and the pad (about 5pF), which may be related to the quality of the pad and PCB layout. A larger C_p value will reduce the conversion accuracy, the solution is to reduce the f_{ADC} value.

Figure 3-10 ADC typical connection diagram

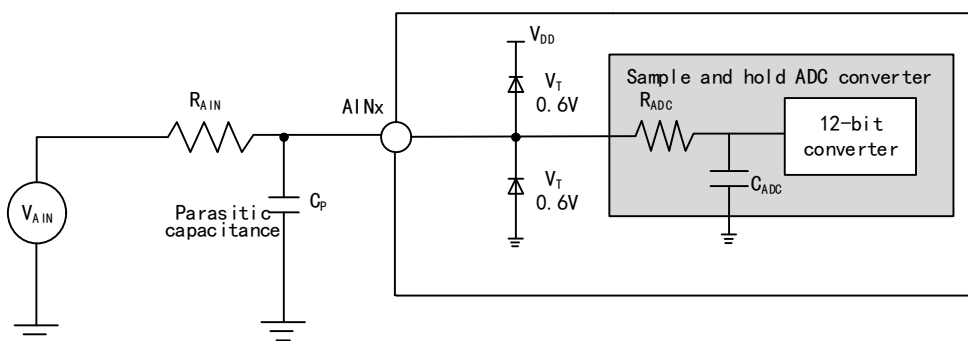
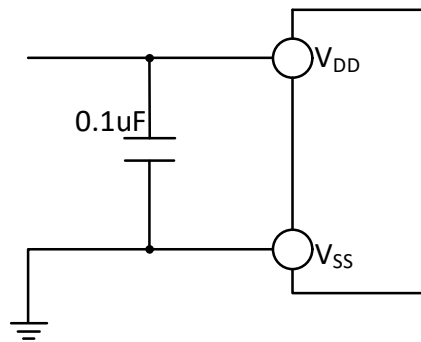


Figure 3-11 Analog power supply and decoupling circuit reference



3.3.15 OPA characteristics

Table 3-26-1 OPA characteristics

Symbol	Parameter	Condition	Min.	Typ.	Max.	Unit
V_{DD}	Supply voltage	No less than 2.5V is recommended	2.0	5	5.5	V
V_{CMIR}	Common mode input voltage		0		V_{DD}	V
$V_{IOFFSET}$	Input offset voltage			± 3	± 12	mV
I_{LOAD}	Drive current	$R_{LOAD} = 4k\Omega$			1.4	mA
I_{LOAD_PGA}	PGA mode drive current				500	μA
$I_{DDOPAMP}$	Current consumption	No load, static mode		420		μA
$CMRR^{(1)}$	Common mode rejection ratio	@1kHz		96		dB
$PSRR^{(1)}$	Power supply rejection ratio	@1kHz		82		dB
$A_v^{(1)}$	Open loop gain	$C_{LOAD} = 5pF$		110		dB
$GBW^{(1)}$	Unit gain bandwidth	$C_{LOAD} = 5pF$		12		MHz
$P_M^{(1)}$	Phase margin	$C_{LOAD} = 5pF$		75		$^\circ$
$S_R^{(1)}$	Slew rate limited	$C_{LOAD} = 5pF$		10		V/ μs
$t_{WAKUP}^{(1)}$	Setup time from shutdown to wake up, 0.1%	Input $V_{DD}/2$, $C_{LOAD} = 50pF$, $R_{LOAD} = 4k\Omega$			1	μs
R_{LOAD}	Resistive load		4			$k\Omega$
C_{LOAD}	Capacitive load				50	pF

$V_{OHSAT}^{(2)}$	High saturation output voltage	$R_{LOAD} = 4k\Omega$	$V_{DD}-160$			mV	
		$R_{LOAD} = 20k\Omega$	$V_{DD}-35$				
$V_{OLSAT}^{(2)}$	Low saturation output voltage	$R_{LOAD} = 4k\Omega$			25	mV	
		$R_{LOAD} = 20k\Omega$			5		
V_B	Output DC bias voltage in PGA mode			$V_{DD}/2$		V	
				$V_{DD}/2$		V	
PGA Gain ⁽¹⁾	Internal in-phase PGA	PGADIF = 1 mode in phase	Gain = 4/8/16	-3		3	%
		Gain = 4, $V_{INP} < (V_{DD}/3)$		-1		1	%
		Gain = 8, $V_{INP} < (V_{DD}/7)$		-1		1	%
		Gain = 16, $V_{INP} < (V_{DD}/15)$		-1		1	%
		Gain = 32, $V_{INP} < (V_{DD}/31)$		-1		1	%
V_B	Output DC bias voltage in PGA mode			$V_{DD}/2$		V	
Delta R	Absolute value change of resistance			-15		15	%
$eN^{(1)}$	Equivalent input noise	$R_{LOAD} = 4k\Omega@1kHz$			100		nV/
		$R_{LOAD} = 20k\Omega@1KHz$			60		sqrt(Hz)

Note: 1. Design parameters are guaranteed.

2. The load current limits the saturated output voltage.

Table 3-26-2 OPA characteristics (High-speed mode)

Symbol	Parameter	Condition	Min.	Typ.	Max.	Unit
V_{DD}	Supply voltage		2.7	5	5.5	V
V_{CMIR}	Common mode input voltage		0		V_{DD}	V
$V_{IOFFSET}$	Input offset voltage			± 3	± 12	mV
I_{LOAD}	Drive current	$R_{LOAD} = 4k\Omega$			1.4	mA

I_{LOAD_PGA}	PGA mode drive current				500	uA	
$I_{DDOPAMP}$	Current consumption	No load, static mode		1.4		mA	
CMRR ⁽¹⁾	Common mode rejection ratio	@1kHz		96		dB	
PSRR ⁽¹⁾	Power supply rejection ratio	@1kHz		82		dB	
$A_v^{(1)}$	Open loop gain	$C_{LOAD} = 5pF$		115		dB	
$G_{BW}^{(1)}$	Unit gain bandwidth	$C_{LOAD} = 5pF$		64		MHz	
$P_M^{(1)}$	Phase margin	$C_{LOAD} = 5pF$		72		°	
$S_R^{(1)}$	Slew rate limited	$C_{LOAD} = 5pF$		36		V/us	
$t_{WAKUP}^{(1)}$	Setup time from shutdown to wake up, 0.1%	Input $V_{DD}/2$, $C_{LOAD} = 50pF$, $R_{LOAD} = 4k\Omega$			1	us	
R_{LOAD}	Resistive load		4			k Ω	
C_{LOAD}	Capacitive load				20	pF	
$V_{OHSAT}^{(2)}$	High saturation output voltage	$R_{LOAD} = 4k\Omega$	$V_{DD}-16$ 0			mV	
		$R_{LOAD} = 20k\Omega$	$V_{DD}-35$				
$V_{OLSAT}^{(2)}$	Low saturation output voltage	$R_{LOAD} = 4k\Omega$			25	mV	
		$R_{LOAD} = 20k\Omega$			5		
PGA Gain ⁽¹⁾	Internal in-phase PGA	PGADIF = 1 mode in phase	Gain = 4/8/16	-3		3	%
			Gain = 4, $V_{INP} < (V_{DD}/3)$	-1		1	%
			Gain = 8, $V_{INP} < (V_{DD}/7)$	-1		1	%
			Gain = 16, $V_{INP} < (V_{DD}/15)$	-1		1	%
			Gain = 32, $V_{INP} < (V_{DD}/31)$	-1		1	%
V_B	Output DC bias voltage in	OPA_VBSEL = 0		$V_{DD}/2$		V	
	PGA mode	OPA_VBSEL = 1		$V_{DD}/4$		V	

eN ⁽¹⁾	Equivalent input noise	R _{LOAD} = 4kΩ@1kHz		100		nV/
		R _{LOAD} = 20kΩ@1KHz		60		sqrt(Hz)

Note: 1. Design parameters are guaranteed.

2. The load current limits the saturated output voltage.

Chapter 4 Package and Ordering Information

Packages

Package Form	Body Size	Pin Pitch		Package Description	Order Model
QFN32	4*4mm	0.4mm	15.7mil	Quad Flat No-lead Package	CH32V006K8U6
QSOP24	3.9*8.7mm	0.635mm	25.0mil	Quarter-sized Outline Package	CH32V006E8R6
QFN20	3*3mm	0.4mm	15.7mil	Quad Flat No-lead Package	CH32V006F8U6
TSSOP20	4.4*6.5mm	0.65mm	25.6mil	Thin Shrink Small Outline Package	CH32V006F8P6
QFN20	3*3mm	0.4mm	15.7mil	Quad Flat No-lead Package	CH32V006F4U6
QSOP24	3.9*8.7mm	0.635mm	25.0mil	Quarter-sized Outline Package	CH32V005E6R6
QFN20	3*3mm	0.4mm	15.7mil	Quad Flat No-lead Package	CH32V005F6U6
TSSOP20	4.4*6.5mm	0.65mm	25.6mil	Thin Shrink Small Outline Package	CH32V005F6P6
QFN12	2*2mm	0.4mm	15.7mil	Quad Flat No-lead Package	CH32V005D6U6

Note: All dimensions are in millimeters. The pin center spacing values are nominal values, with no error. Other than that, the dimensional error is not greater than the greater of $\pm 0.2\text{mm}$ or 10%.

Figure 4-1 QFN32 package

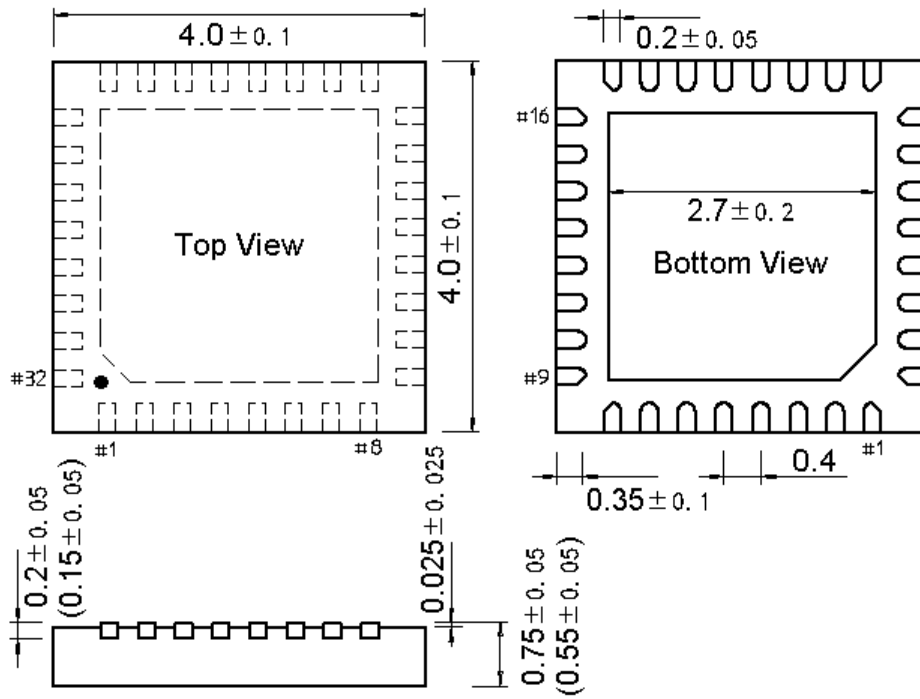


Figure 4-2 QSOP24 package

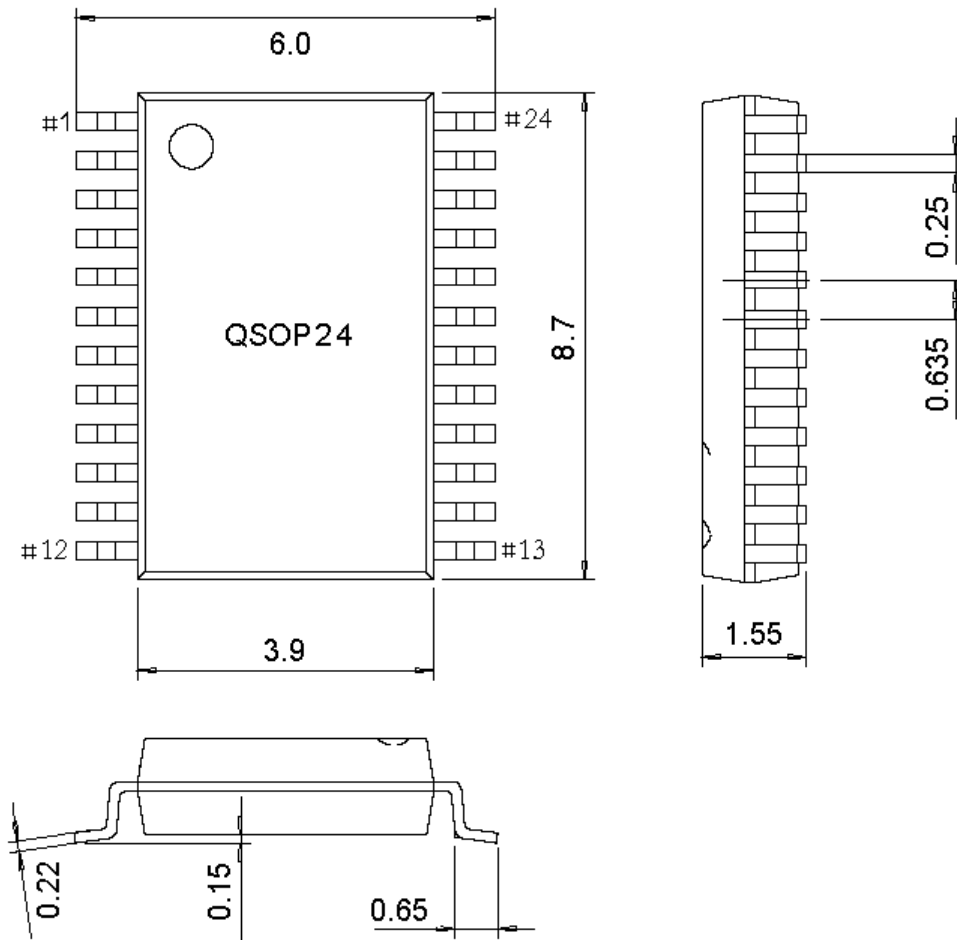


Figure 4-3 QFN20 package

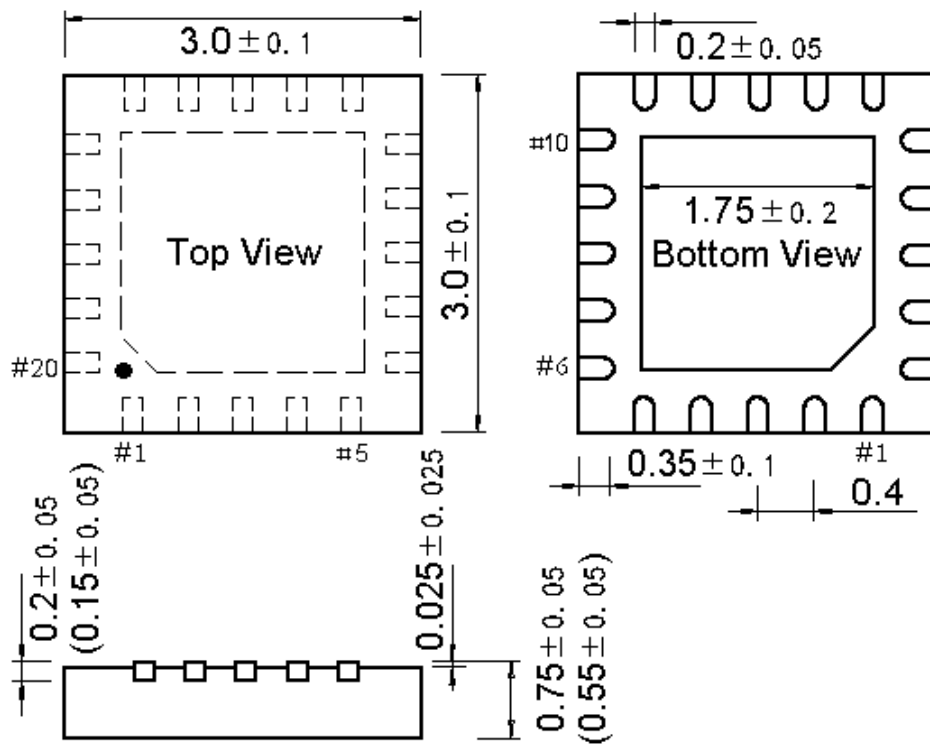


Figure 4-4 TSSOP20 package

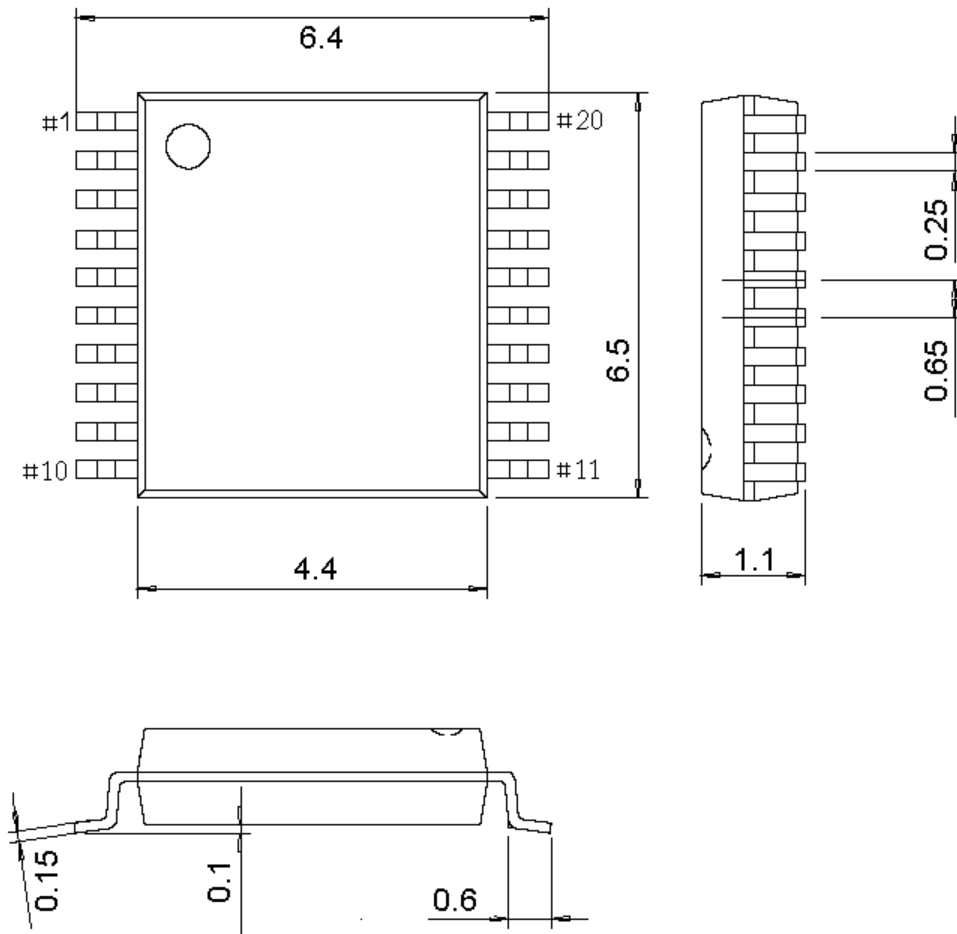
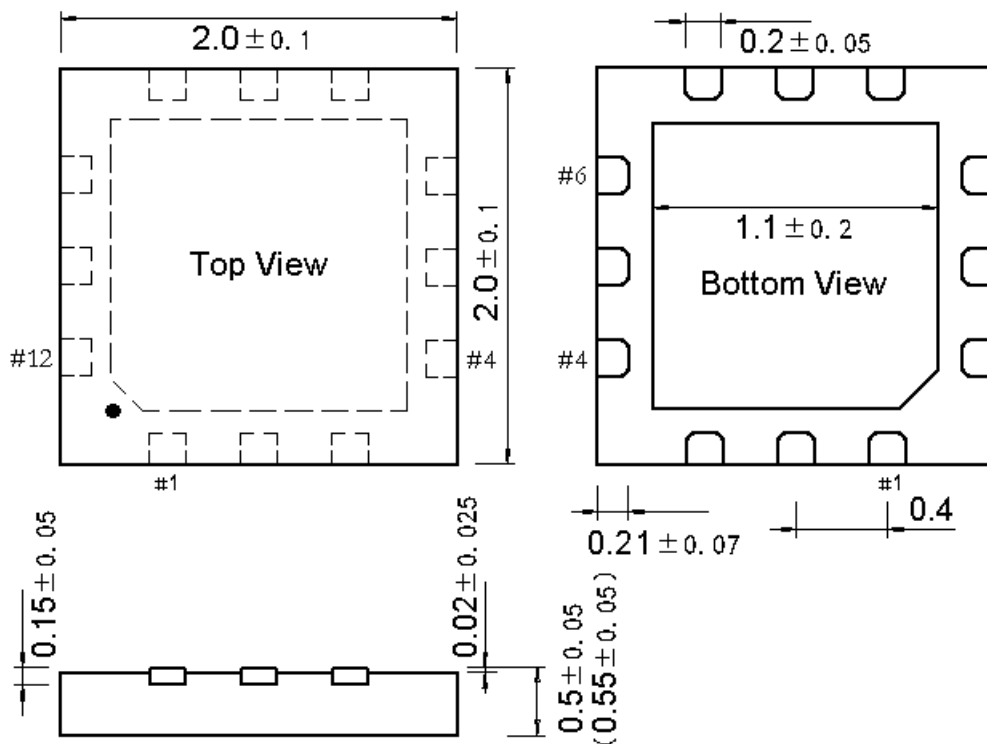


Figure 4-5 QFN12 package



Series Product Naming Rules

Example:	CH32	V	303	R	8	T	6
Device family							
F = Arm core, general-purpose MCU							
V = QingKe RISC-V core, general-purpose MCU							
L = QingKe RISC-V core, low-power MCU							
X = QingKe RISC-V core, dedicated or special peripherals MCU							
M = QingKe RISC-V core, built-in pre-drive motor MCU							
Product type (*) + product subseries (*)							

Product type	Product subseries
0 = QingKe V2/V4 core, Super value version, system frequency <=48M	02 = 16K Flash memory super value general-purpose 03 = 16K Flash basic general-purpose, OPA 05 = 32K Flash enhanced general-purpose, OPA, dual serial port 06 = 64K Flash versatile, OPA, dual serial port, TKey 07 = Basic motor application, OPA+CMP 35 = Connection, USB, USB PD/Type-C 33 = Connection, USB
1 = M3/QingKe V3/V4 core, Basic version, system frequency <=96M	03 = Connection, USB 05 = Connection, USB HS, SDIO, CAN 07 = Interconnected, USB HS, CAN, Ethernet, SDIO, FSMC
2 = M3/QingKe V4 non-floating-point core, Enhanced, system frequency <=144M	08 = Wireless, BLE5.x, CAN, USB, Ethernet 17 = Interconnected, USB HS, CAN, Ethernet (built-in PHY), SDIO, FSMC

3 = QingKe V4F floating-point core, Enhanced, system frequency <=144M					
Pin number					
J = 8 pins	D = 12 pins	A = 16 pins	F = 20 pins	E = 24 pins	
G = 28 pins	K = 32 pins	T = 36 pins	C = 48 pins	R = 64 pins	
W = 68 pins	V = 100 pins	Z = 144 pins			
Flash memory size					
4 = 16K Flash memory	6 = 32K Flash memory	7 = 48K Flash memory			
8 = 64K Flash memory	B = 128K Flash memory	C = 256K Flash memory			
Package					
T = LQFP	U = QFN	R = QSOP	P = TSSOP	M = SOP	
Temperature range					
6 = -40°C~85°C (industrial-grade)	7 = -40°C~105°C (automotive-grade 2)				
3 = -40°C~125°C (automotive-grade 1)	D = -40°C~150°C (automotive-grade 0)				